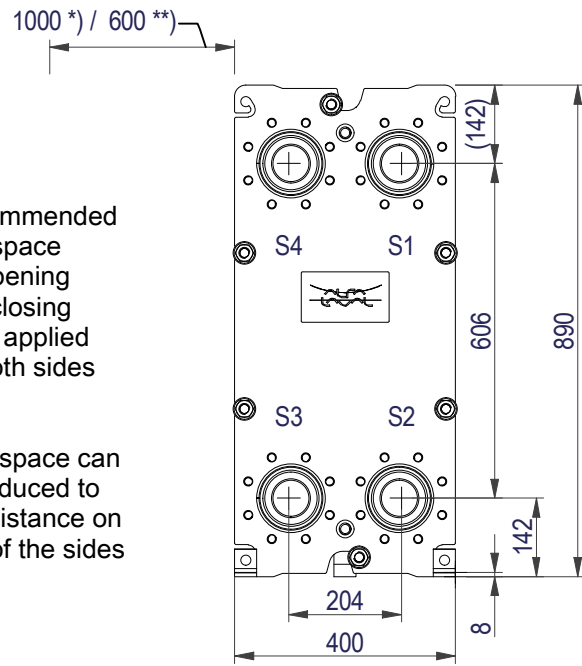


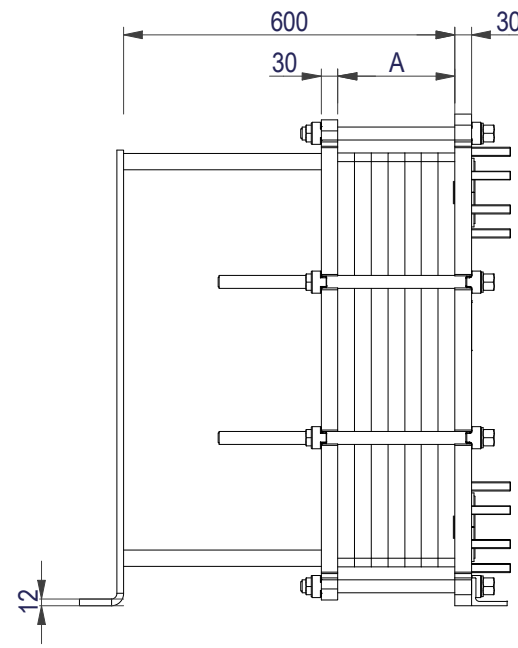
FRAME PLATE



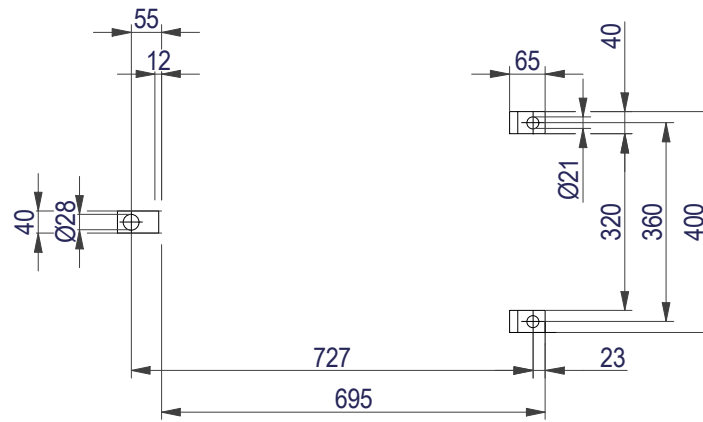
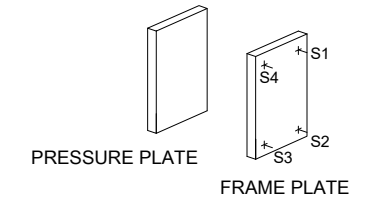
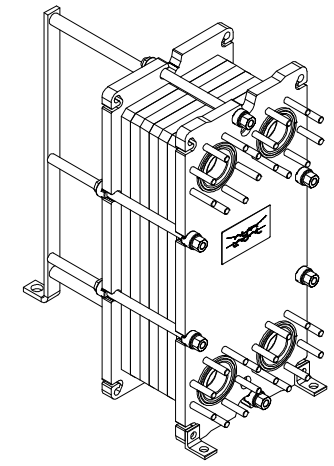
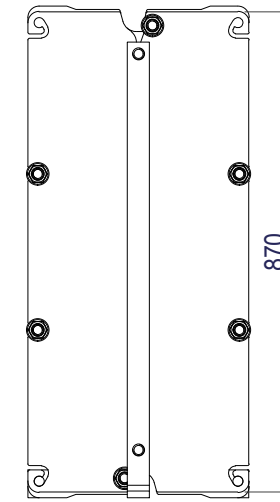
*) Recommended free space for opening and closing to be applied on both sides

**) Free space can be reduced to this distance on one of the sides

Space between pressure plate and supporting column should be kept free from fixed installations!

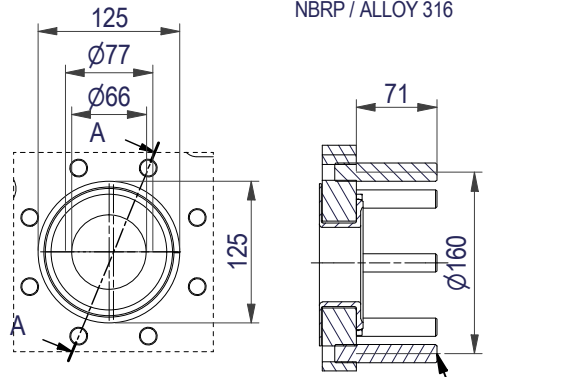


PRESSURE PLATE (MOVABLE)



EN 1092-1 DN80 PN10
S1, S2, S3, S4

A-A:
NBRP / ALLOY 316



All dimensions in millimeters (mm)

M16 (x8)

NO. OF UNITS

1

| | |
|--------------------------|----------------|
| APPROX. OUTER DIMENSIONS | |
| LENGTH | 720 mm |
| WIDTH | 410 mm |
| HEIGHT | 900 mm |
| APPROX. WEIGHTS | |
| NET WEIGHT, EMPTY | 241 kg |
| WEIGHT FULL OF WATER | 271 kg |
| PLATE MATERIAL | ALLOY 316 |
| PLATE THICKNESS | 0.5 mm |
| GASKET | NBRP ClipGrip™ |

CHANNEL ARRANGEMENT 1*35 L / 1*34 L

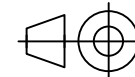


www.alfalaval.com

DRAWING
GASKETED PLATE HEAT EXCHANGER

T8-BFM

PED Article 4.3



8240118494

Do not use this drawing for foundation bolting or piping layout

| | |
|----------|---------|
| DATE | 2/16/22 |
| REVISION | 0 |