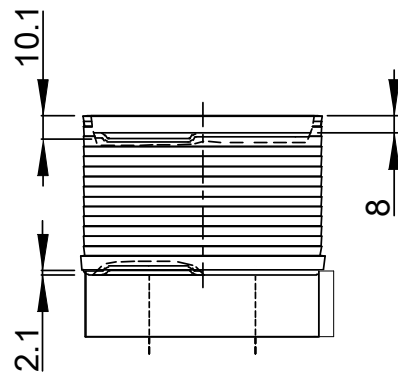
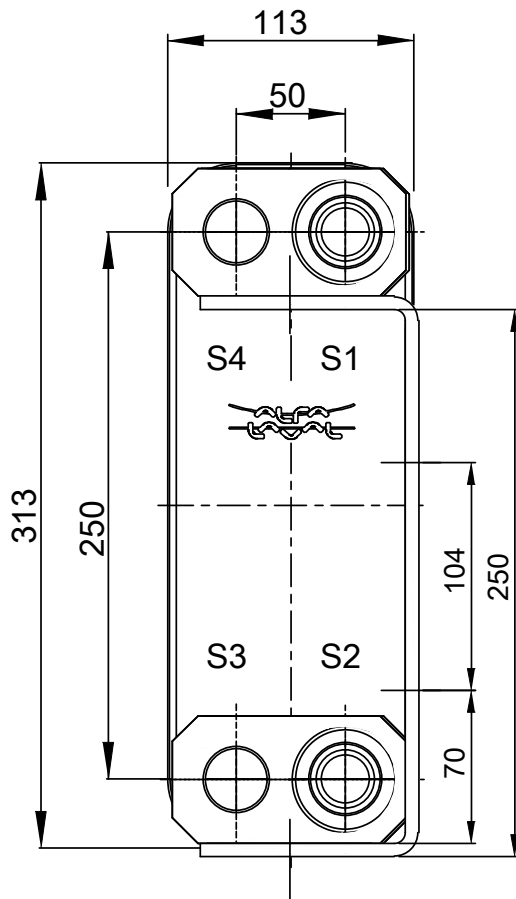
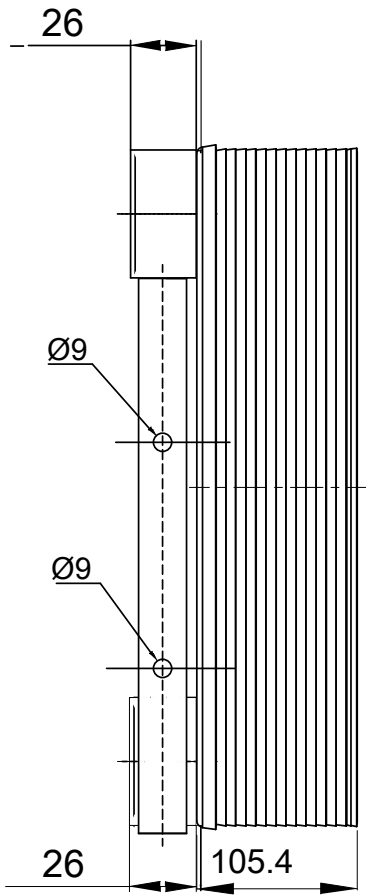
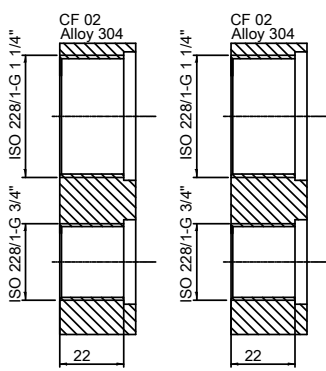


Note that all unique customer requirements (i.e tolerance) need to be verified thru Alfa Laval.



T1 T2 T3 T4 locations on back side correspond to S1 S2 S3 S4 on front side



HEATING SURFACE  
 NETWEIGHT 7.0 kg  
 OPERATING WEIGHT kg  
 PLATE MATERIAL ALLOY 316  
 PLATE GROUPING 1\*19H/1\*20H

ALL DIMENSIONS IN MILLIMETERS

SIDE	MEDIA	INLET	TEMP.	OUTLET	TEMP.	FLOW RATE	PRESSURE DROP	LIQUID VOL.
1		S1		S2				1.08 dm³
2		S3		S4				1.03 dm³



PRESSURE VESSEL APPROVAL PED  
 DOC30-40H-F (3287120901)

www.alfalaval.com

CUSTOMER NAME / REF. NO.	TOTAL LENGTH	131.4 mm
	TOTAL WIDTH	113.0 mm
COMPANY / REF.	TOTAL HEIGHT	313.0 mm
		1/15/2024 REV 0