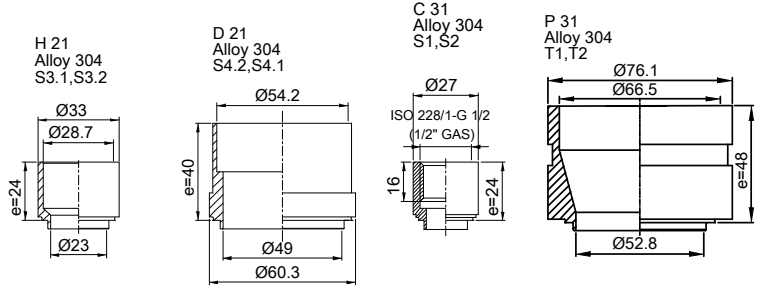
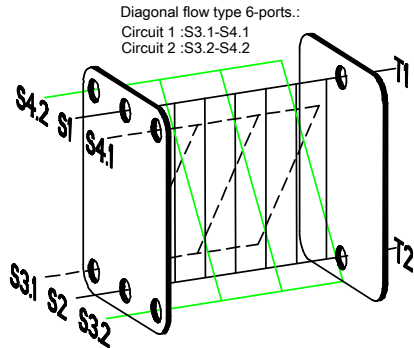
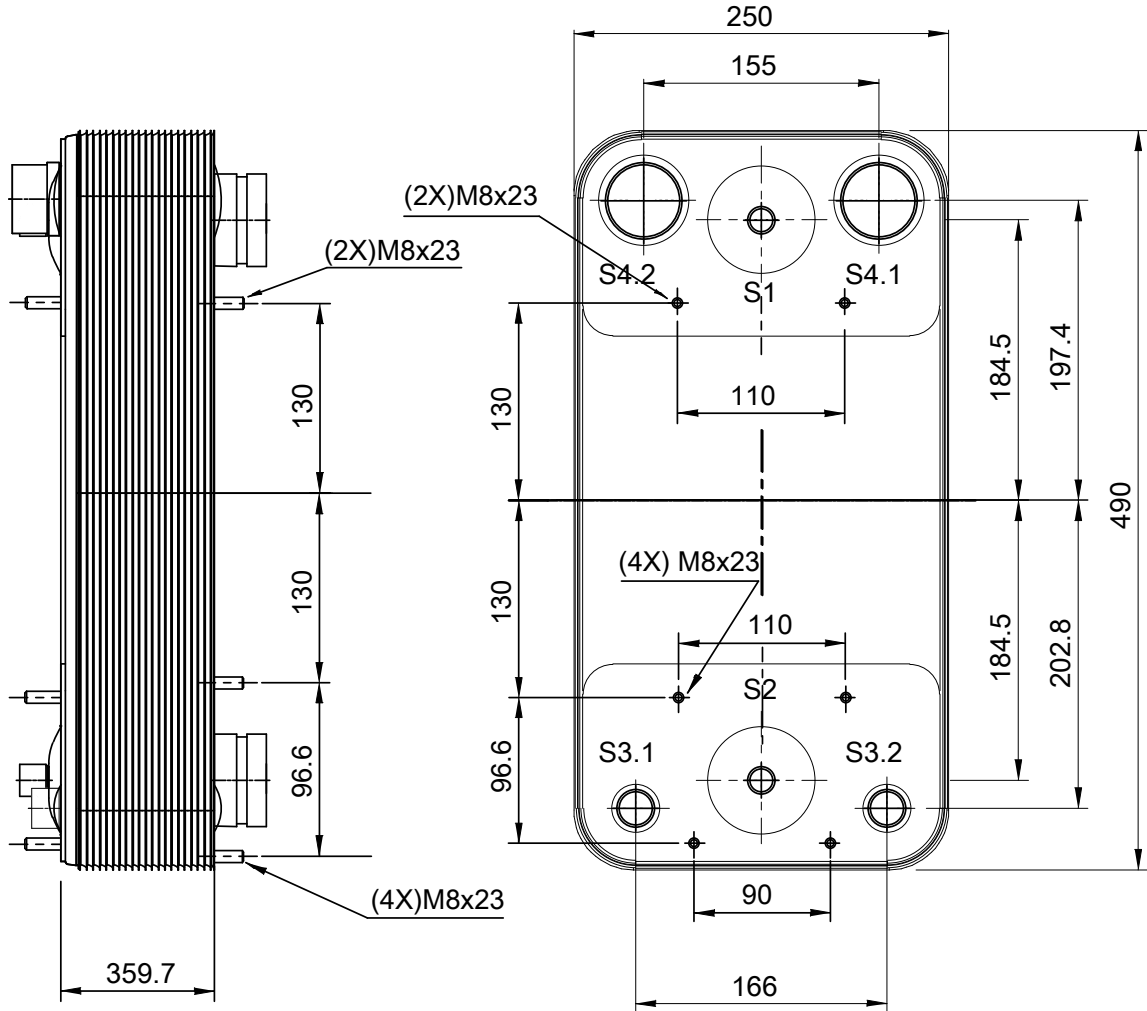


T1 T2 T3.1 T3.2 T4.1 T4.2 locations on back side correspond to S1 S2 S3.1 S3.2 S4.1 S4.2 on front side

Note that all unique customer requirements (i.e tolerance) need to be verified thru Alfa Laval.



HEATING SURFACE
 NETWEIGHT 70.4 kg
 OPERATING WEIGHT kg
 PLATE MATERIAL ALLOY 316
 PLATE GROUPING 1*40HR|1*40HR|1*81HR

ALL DIMENSIONS IN MILLIMETERS

SIDE	MEDIA	INLET	TEMP.	OUTLET	TEMP.	FLOW RATE	PRESSURE DROP	LIQUID VOL.
1		S2, S4.2		S1, S3.2				12.6 dm ³
2		S4.1		S3.1				8.00/8.00 dm ³

PRESSURE VESSEL APPROVAL PED

AC-230DQ-162H-F (3287069861)

www.alfalaval.com

CUSTOMER NAME / REF. NO.
 COMPANY / REF.

TOTAL LENGTH 443.7 mm
 TOTAL WIDTH 250.0 mm
 TOTAL HEIGHT 490.0 mm



1/15/2024
 REV 0