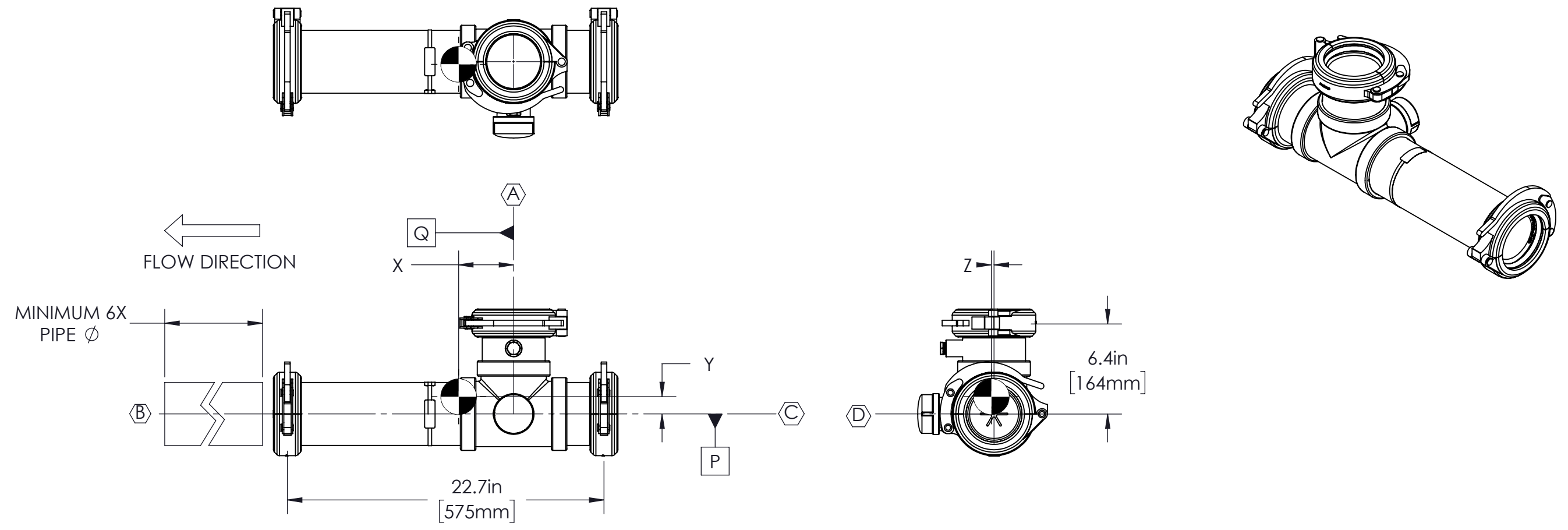


REVISION NOTES

ECR NUMBER	RELEASE NOTES	DATE	APPROVAL
1146	FLOW DETAIL UPDATE	09/16/2019	KA



NOTES:

- MINIMUM STRAIGHT PIPE LENGTH WITHOUT OBSTRUCTION ON DISCHARGE SIDE TO BE 6X PIPE DIAMETER
- OLD DRAWING NUMBER: V.VED-SG4-M1GA
- READ PRODUCT MANUALS BEFORE INSTALLATION AND OPERATION
- PRODUCT DETAILS
 - SINGLE ADDITIVE SUCTION PORT
 - 1.5" (38.1mm) LOBESTAR MIXING NOZZLE® ORIFICE
 - 300-485 GPM MOTIVE FLOW RATE 60-205 FT DIFFERENTIAL HEAD (25-90 PSI DIFFERENTIAL PRESSURE WITH WATER)
 - GROOVED END PIPE INLET AND DISCHARGE CONNECTIONS
 - LEFT HAND GAUGE PORT ORIENTATION
 - STAINLESS STEEL SHEAR-MIXER BODY
 - URETHANE INSERTS
 - BUNA GASKETS
 - OPERATING TEMPERATURE: -20°F TO +135°F (-29°C TO +57°C)
 - ESTIMATED WEIGHT (DRY): 58 lbs OR 26kg

C.G LOCATION FROM DATUM P,Q			
CONDITION	X	Y	Z
DRY	3.94" (100 mm)	1.23" (31 mm)	.19" (5 mm)
OPERATING	3.91" (99 mm)	1.10" (28 mm)	.18" (5 mm)

CUSTOMER FIELD CONNECTIONS						
MK. NO.	QUAN	SIZE	RATING	TYPE	SCHEDULE	SERVICE
A	1	4"	N/A	GRV/PIPE	80	SUCTION
B	1	4"	N/A	GRV/PIPE	80	BLENDED DISCHARGE
C	1	4"	N/A	GRV/PIPE	80	MOTIVE FLOW INLET
D	1	2"	150#	MNPT	40	SECONDARY SUCTION

<p>Company Confidential</p> <p>Alfa Laval Inc. 10470 Deer Trail Drive Houston, TX 77038 USA www.alfalaval.com (713) 869-2593</p> <p>This drawing and any information or descriptive material set out on it are the confidential and copyright property of Alfa Laval Inc. © and MUST NOT BE DISCLOSED, COPIED, LOANED in whole or part or used for any purpose without the written permission of Alfa Laval, Inc.</p>	Tolerances: Unless Otherwise Stated: Linear Tol.: .X - = +/- .250 (6.35 mm) .XX - = +/- .188 (4.77 mm) .XXX - = +/- .125 (3.18 mm) Angular Tol.: +/- 1° All Dimensions: in		Workflow: Design Released to Production			
	Finish: N/A		Drawing Scale: 1:4		Description: SHEAR-MIXER, SM4000, SGA	
	Approx Weight: 58 Lbs.		Drawing Produced In Accordance With: ASME Y14.5M-2009		Old Reference Number: ME-4S-1.50UG-M1	
	Projection Method: THIRD ANGLE		Sheet Size: B		Part Number: 6230000674	
		Material: SEE BOM		Drawing Number: 6230000674_SGA		
		Sheet: 1 of 1		Revision: A		