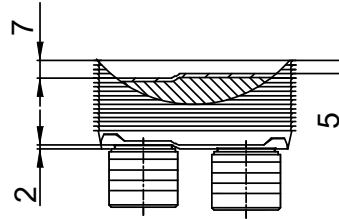
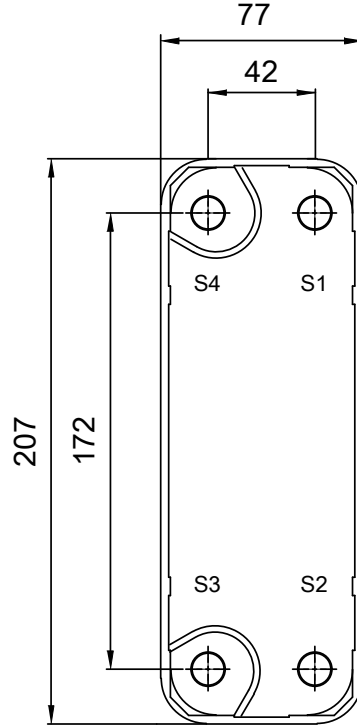
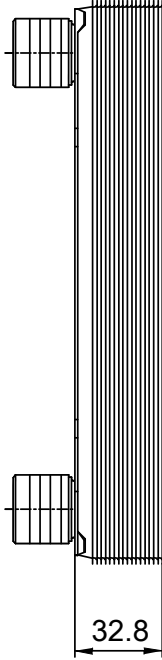
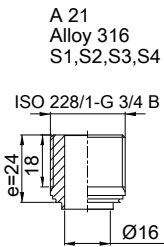


Note that all unique customer requirements (i.e tolerance) need to be verified thru Alfa Laval.



Frameplate is depressed 2 mm at connection S3/S4  
 Pressureplate is depressed 2 mm / even number of channel plates  
 at connections T3/T4 / uneven number of channel plates at  
 connections T1/T2.

HEATING SURFACE  
 NETWEIGHT 1.2 kg  
 OPERATING WEIGHT kg  
 PLATE MATERIAL ALLOY 316  
 PLATE GROUPING 1\*4H/1\*5H

ALL DIMENSIONS IN MILLIMETERS

SIDE	MEDIA	INLET	TEMP.	OUTLET	TEMP.	FLOW RATE	PRESSURE DROP	LIQUID VOL.
1		S1		S2				0.10 dm <sup>3</sup>
2		S3		S4				0.08 dm <sup>3</sup>

PRESSURE VESSEL APPROVAL

PED/UK



AlfaNova 14-10H (3287050661)

[www.alfalaval.com](http://www.alfalaval.com)

CUSTOMER NAME / REF. NO.

COMPANY / REF.

TOTAL LENGTH 56.8 mm  
 TOTAL WIDTH 77.0 mm  
 TOTAL HEIGHT 207.0 mm

1/15/2024  
 REV 0