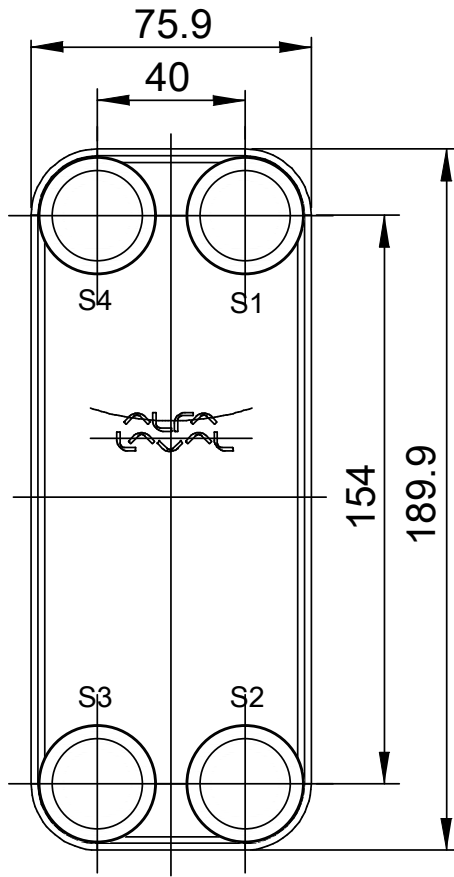
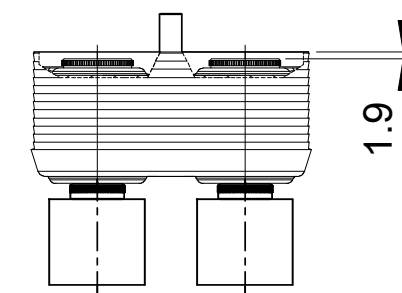
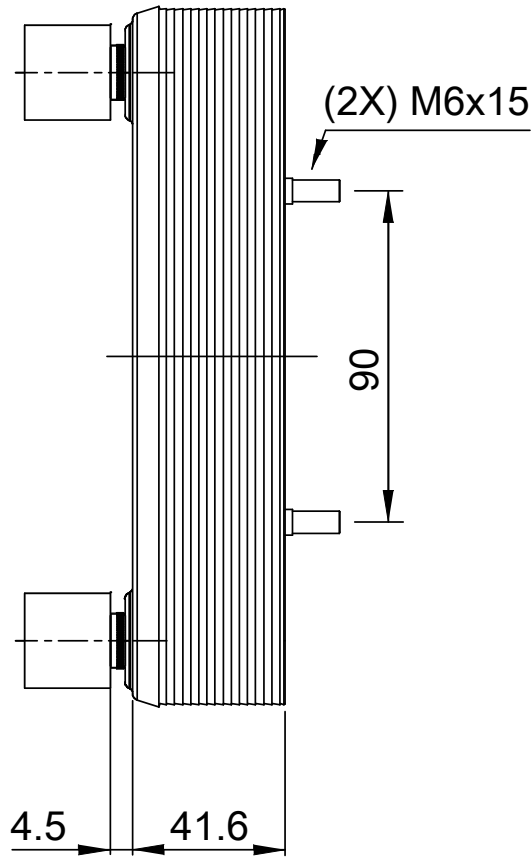
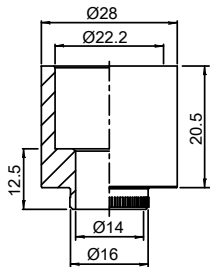


Note that all unique customer requirements (i.e tolerance) need to be verified thru Alfa Laval.

AX18  
Alloy 304  
S1,S2,S3,S4



HEATING SURFACE  
NETWEIGHT 1.9 kg  
OPERATING WEIGHT kg  
PLATE MATERIAL ALLOY 316  
PLATE GROUPING 1\*14H/1\*15H

T1 T2 T3 T4 locations on back side correspond to S1 S2 S3 S4 on front side

ALL DIMENSIONS IN MILLIMETERS

SIDE	MEDIA	INLET	TEMP.	OUTLET	TEMP.	FLOW RATE	PRESSURE DROP	LIQUID VOL.
1		S1		S2				0.15 dm <sup>3</sup>
2		S3		S4				0.14 dm <sup>3</sup>

PRESSURE VESSEL APPROVAL

PED 150 degr C/UK



AXP14-30H-F (3287093752)

www.alfalaval.com

CUSTOMER NAME / REF. NO.

TOTAL LENGTH 81.6 mm  
TOTAL WIDTH 76.0 mm  
TOTAL HEIGHT 190.0 mm

COMPANY / REF.

4/16/2024  
REV 0