



Alfa Laval TK20 W

Gasketed plate-and-frame heat exchanger for demanding applications

Alfa Laval Industrial semi-welded line is used when gaskets are not suitable for one of the process media. The semi-welded line can also withstand a higher design pressure compared to fully gasketed plate-and-frame heat exchangers.

The relatively short plate makes this model suitable for duties with short temperature programs and when a low pressure drop is appreciated. A large range of plate and gasket types is available.

Applications

- Chemicals
- Energy and Utilities
- Food and Beverages
- HVAC and Refrigeration
- Marine and Transportation
- Mining, Minerals and Pigments
- Pulp and Paper
- Steel
- Water and Waste treatment

Benefits

- High energy efficiency – low operating cost
- Flexible configuration – heat transfer area can be modified
- Easy to install – compact design
- High serviceability – easy to open for inspection and cleaning and easy to clean by CIP
- Access to Alfa Laval's global service network

Features

Every detail is carefully designed to ensure optimal performance, maximum uptime and easy maintenance. Selection of available features:

- 5-point alignment system
- CurveFlow™ distribution area
- ClipGrip™ gasket
- Leak chamber
- RefTight™ sealing system
- Bearing box
- Fixed bolt head
- Key hole bolt opening
- Lifting lug
- Lining
- Lock washer
- Pressure plate roller
- Swing feet
- Tightening bolt cover
- Optimized Alfa Laval drain connection



Extending performance

with Alfa Laval 360° Service Portfolio

Our extensive services ensure top performance from your Alfa Laval equipment throughout its life cycle. The availability of parts and our team's commitment and expertise bring you peace of mind.

Start-up

- Installation
- Installation Supervision
- Commissioning

Maintenance

- Cleaning Services
- Reconditioning
- Repair
- Service Tools
- Spare Parts

Support

- Exclusive Stock
- Technical Documentation
- Telephone Support
- Training
- Troubleshooting

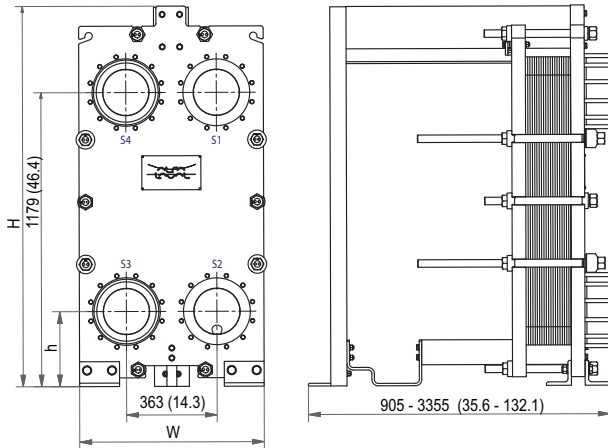
Improvements

- Equipment Upgrades
- Redesign
- Replacement and Retrofit

Monitoring

- Condition Audit
- Performance Audit

Dimensional drawing
Measurements mm (inches)



| Type | H | W | h |
|---------|--------------|-------------|-------------|
| TK20-FG | 1525 (60.0") | 740 (29.1") | 301 (11.9") |
| TK20-FD | 1525 (60.0") | 785 (30.9") | 301 (11.9") |
| TK20-FX | 1560 (61.4") | 900 (35.4") | 331 (13.0") |

The number of tightening bolts may vary depending on pressure rating.

Technical data

Plates

| Name | Type | Free channel, mm (inches) |
|---------|-------------|---------------------------|
| TK20-BW | Semi-welded | 2.5 (0.098) |

Materials

| | |
|--------------------------|---|
| Heat transfer plates | 304/304L, 316/316L, 254 Ti |
| Field gaskets | NBR, EPDM, FKM NBR, EPDM, CR |
| Ring gaskets | NBR, EPDM, FEPM, CR |
| Flange connections | Metal lined: stainless steel, Alloy 254, titanium |
| Frame and pressure plate | Carbon steel, epoxy painted |

Other materials may be available on request.

All option combinations may not be configurable.

Operational data

Frame,

PV-code

| | | |
|------------|----------|---------|
| FG, PED | 16.0/232 | 50/122 |
| FD, pvcALS | 25.0/363 | 150/302 |
| FD, ASME | 20.7/300 | 150/302 |
| FD, PED | 25.0/362 | 150/302 |
| FX, ASME | 62,1/900 | 150/302 |
| FX, PED | 63.0/914 | 150/302 |

Extended pressure and temperature rating may be available on request.

Flange connections

| | |
|------------|--|
| FG, pvcALS | EN 1092-1 DN150/DN200 PN16 ASME B16.5 Class 150 NPS 6/NPS 8 JIS B2220 16K 200A |
| FG, PED | EN 1092-1 DN150/DN200 PN16 ASME B16.5 Class 150 NPS 6/NPS 8 |
| FD, pvcALS | EN 1092-1 DN150/DN200 PN25 ASME B16.5 Class 300 NPS 6/NPS 8 JIS B2220 20K 200A |
| FD, ASME | ASME B16.5 Class 300 NPS 6/NPS 8 |
| FD, PED | EN 1092-1 DN150/DN200 PN25 ASME B16.5 Class 300 NPS 6/NPS 8 |
| FX, ASME | ASME B16.5 Class 150 NPS 8 ASME B16.5 Class 900 NPS 6 |
| FX, PED | EN 1092-1 DN200 PN16 EN 1092-1 DN200 PN25 EN 1092-1 DN150 PN63 ASME B16.5 Class 150 NPS 8 ASME B16.5 Class 900 NPS 6 |

Standard EN1092-1 corresponds to GOST 12815-80 and GB/T 9115.

How to contact Alfa Laval

Contact details for all countries are continually updated on our website. Please visit www.alfalaval.com to access the information direct.