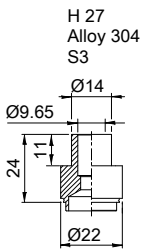
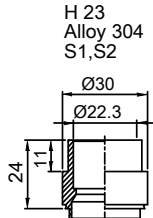


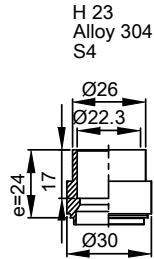
Note that all unique customer requirements (i.e tolerance) need to be verified thru Alfa Laval.



H 27  
Alloy 304  
S3

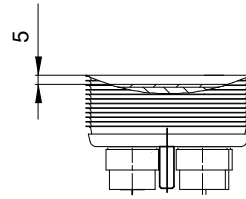
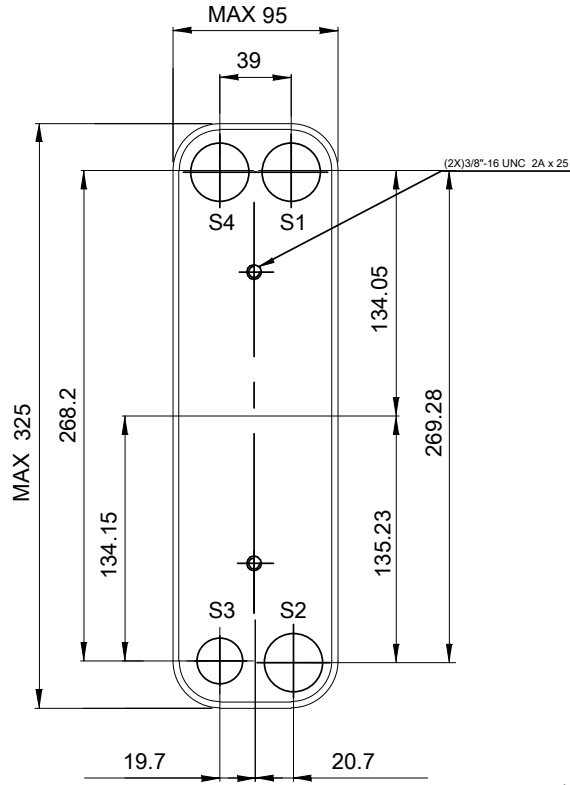
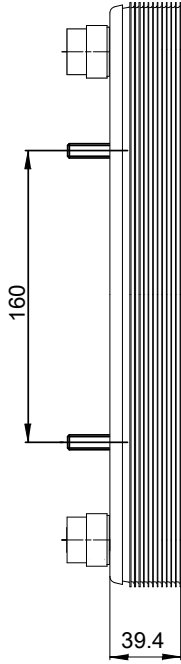


H 23  
Alloy 304  
S1,S2



H 23  
Alloy 304  
S4

HEATING SURFACE  
NETWEIGHT 2.9 kg  
OPERATING WEIGHT kg  
PLATE MATERIAL ALLOY 316  
PLATE GROUPING 1\*9H/1\*10H



Frameplate is depressed 1.2 mm at connection S4  
Pressureplate is depressed 1.2 mm / even number of channel plates at connections T4 / uneven number of channel plates at connections T1.  
T1 T2 T3 T4 locations on back side correspond to S1 S2 S3 S4 on front side

ALL DIMENSIONS IN MILLIMETERS

SIDE	MEDIA	INLET	TEMP.	OUTLET	TEMP.	FLOW RATE	PRESSURE DROP	LIQUID VOL.
1		S1		S2				0.28 dm <sup>3</sup>
2		S3		S4				0.25 dm <sup>3</sup>



PRESSURE VESSEL APPROVAL

UL/CRN

ACH-30EQ-20H-F (3287084894)

[www.alfalaval.com](http://www.alfalaval.com)

CUSTOMER NAME / REF. NO.

COMPANY / REF.

TOTAL LENGTH 65.4 mm  
TOTAL WIDTH 94.0 mm  
TOTAL HEIGHT 323.0 mm

1/15/2024  
REV 0