

Alfa Laval M Gear

Gear Pumps

Introduction

The Alfa Laval M Gear is an external gear pump that efficiently transfers low-volume fluids for filling applications. Precision alignment, easy cleaning and simple maintenance make the stainless-steel M Gear pump a solid choice for dosing, sampling and filling machines. This proven rotary positive displacement pump easily adapts to OEM filling machines.

Application

The Alfa Laval M Gear is designed for uninterrupted production in a broad range of hygienic and industrial applications across the food, chemical, personal care, and many other industries.

Benefits

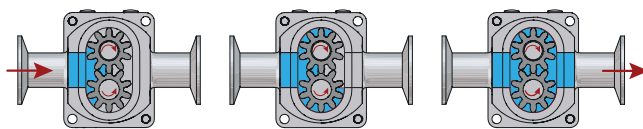
- Wide performance envelope and increased pressure capabilities cover a broad range of process requirements
- Proven performance and predictable, consistent output due to FDA-approved contacting gears
- Increased production with reduced carbon footprint due to high efficiency and low energy consumption
- More uptime and quick, cost-effective maintenance due to fast dismantling for routine service or parts replacement
- Flexible, compact design for easy installation in tight spaces and integration with OEM filling machines

Working principle

The positive displacement of the pump is created by contacting, contra-rotating multi-lobe gears, where one gear drive drives the secondary within a fully swept pump chamber. The pump is capable of bi-rotational flow without requiring modification.

Fluid is carried through the pump in the cavities formed between the contacting gear and the interior of the case. As the blades disengage, a cavity forms, filling with fluid. As the blades engage, the cavity diminishes, displacing fluid into the outlet port.

The gears are mounted between specially developed PTFE bush bearings, all fitted within the main pump body to ensure precision alignment and high-performance efficiency.



Certificates

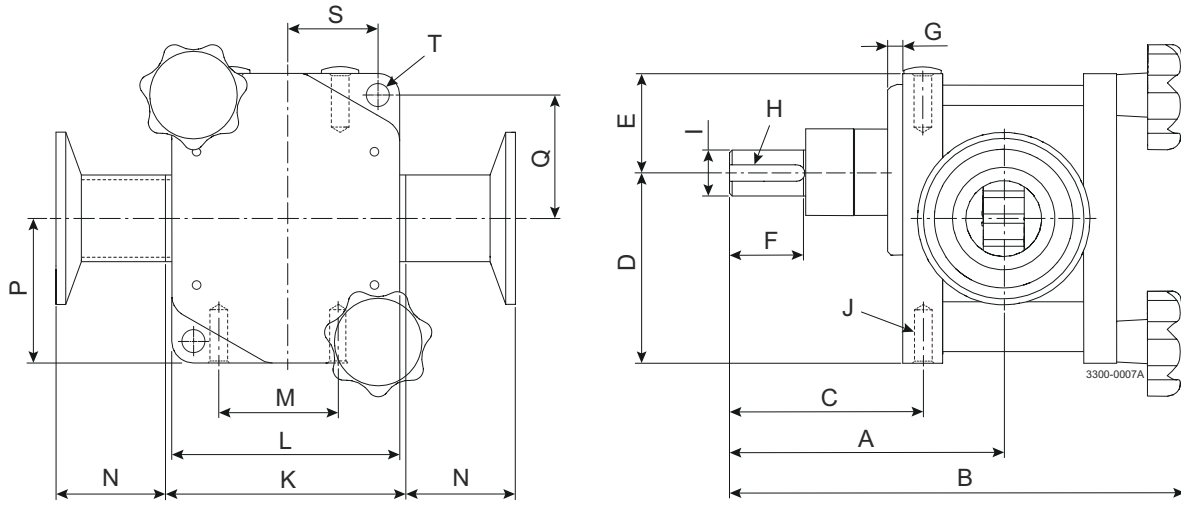
(EC) No. 1935/2004



FDA



Bareshaft Pump Dimensions



Dimensions (mm)

Models	A	B			C	D	E	F	G	H	I	J	K	L	M	N	P	Q	S	T
		1	2	3																
M200	75.5	132	132	132	52	57	28	20	3	5*3	14	M6*12	70	67	32	52	42.5	36	27	ø6.5
M210	75.5	132	132	132	52	57	28	20	3	5*3	14	M6*12	70	67	32	52	42.5	36	27	ø6.5
M220	89	159	159	159	52	57	28	20	3	5*3	14	M6*12	70	67	32	52	42.5	36	27	ø6.5

1 1/2" BSP

2 1" Triclamp / SM

3 1" DIN11851

This document and its contents are subject to copyrights and other intellectual property rights owned by Alfa Laval AB (publ) or any of its affiliates (jointly "Alfa Laval"). No part of this document may be copied, re-produced or transmitted in any form or by any means, or for any purpose, without Alfa Laval's prior express written permission. Information and services provided in this document are made as a benefit and service to the user, and no representations or warranties are made about the accuracy or suitability of this information and these services for any purpose. All rights are reserved.

How to contact Alfa Laval

Up-to-date Alfa Laval contact details for all countries are always available on our website at www.alfalaval.com