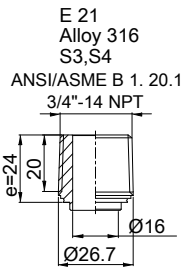
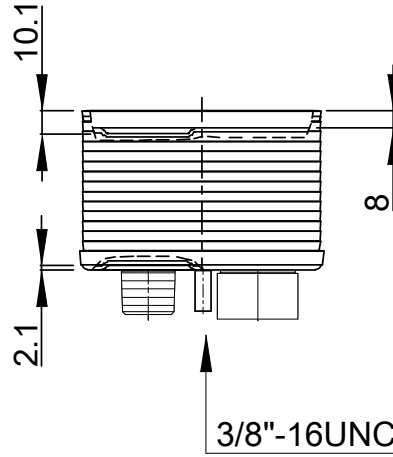
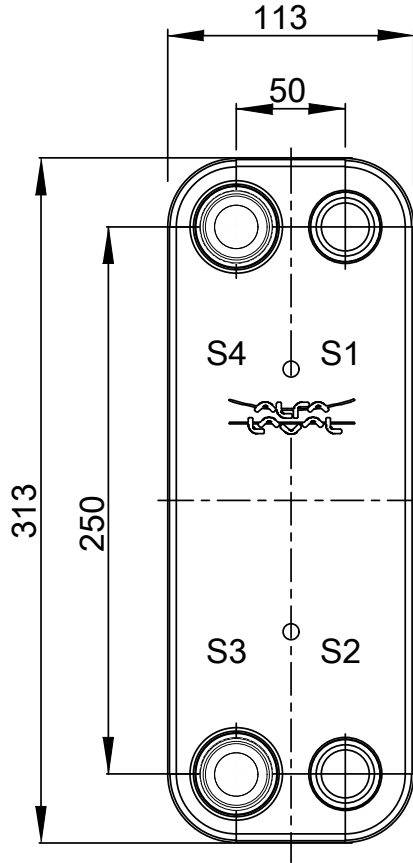
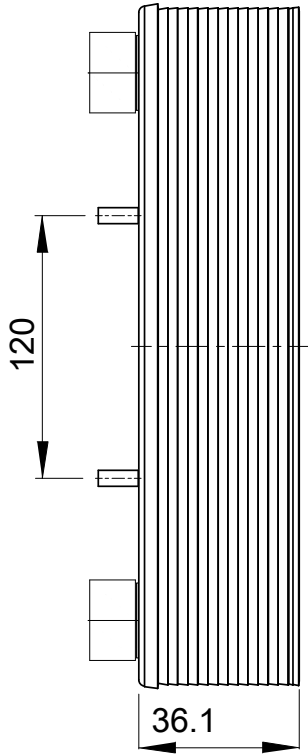
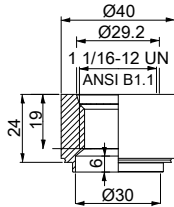


Note that all unique customer requirements (i.e tolerance) need to be verified thru Alfa Laval.



Z45  
Alloy 316  
S1,S2



HEATING SURFACE  
NETWEIGHT 2.6 kg  
OPERATING WEIGHT kg  
PLATE MATERIAL ALLOY 316  
PLATE GROUPING 1\*4H/1\*5H

T1 T2 T3 T4 locations on back side  
correspond to S1 S2 S3 S4 on front side

ALL DIMENSIONS IN MILLIMETERS

SIDE	MEDIA	INLET	TEMP.	OUTLET	TEMP.	FLOW RATE	PRESSURE DROP	LIQUID VOL.
1		S1		S2				0.27 dm <sup>3</sup>
2		S3		S4				0.22 dm <sup>3</sup>



PRESSURE VESSEL APPROVAL

UL/CRN

CB30-10H (3287112615)

www.alfalaval.com

CUSTOMER NAME / REF. NO.

COMPANY / REF.

TOTAL LENGTH 62.1 mm  
TOTAL WIDTH 113.0 mm  
TOTAL HEIGHT 313.0 mm

1/15/2024  
REV 0