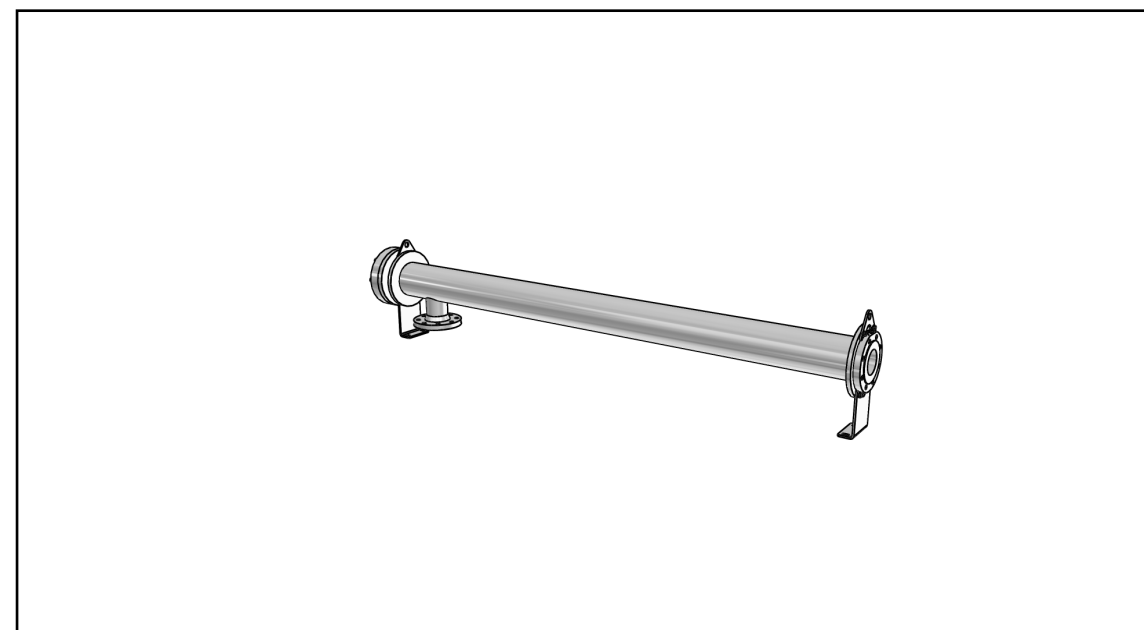
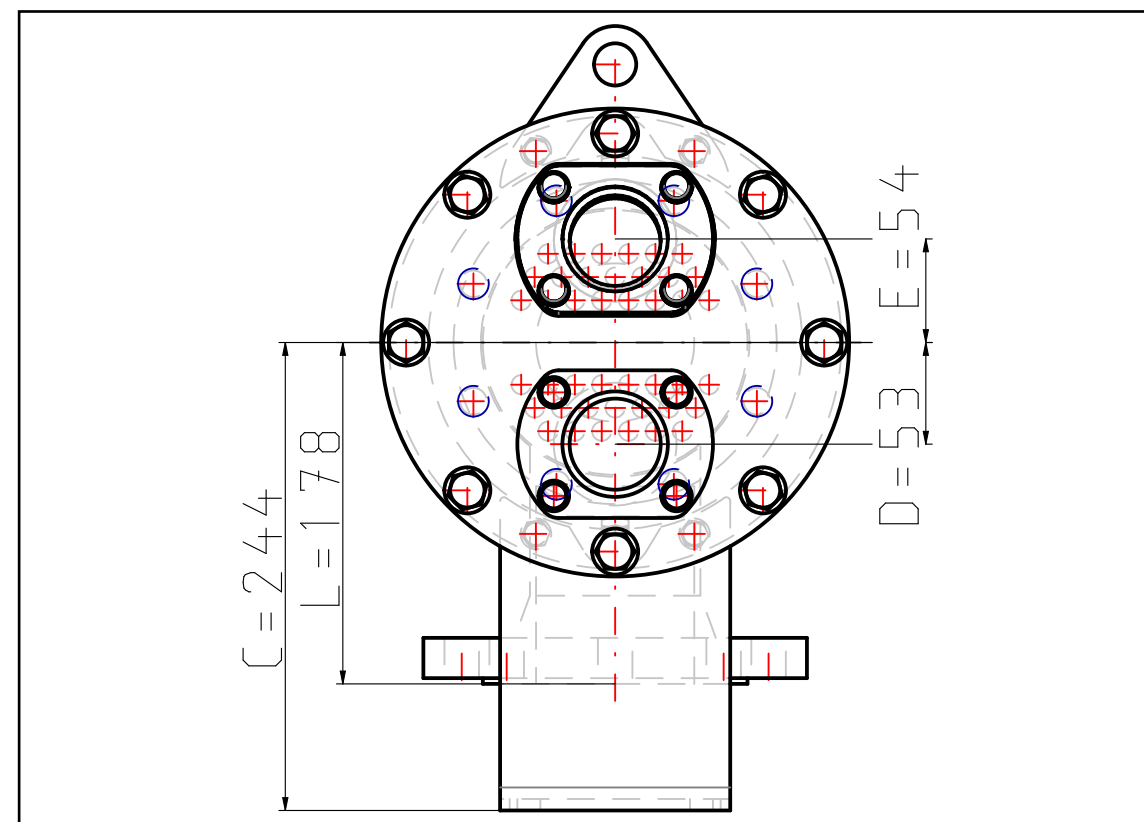
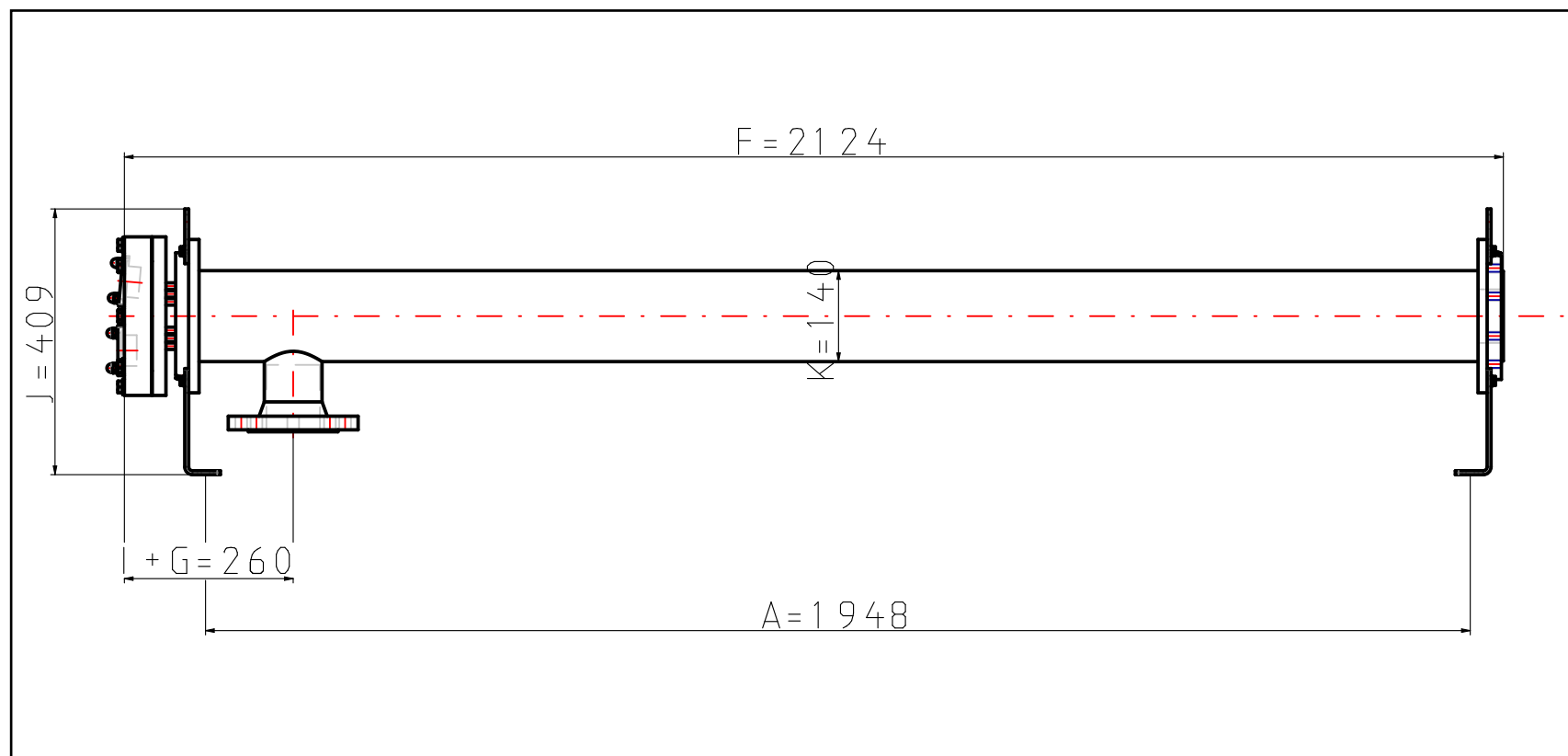


This document and its contents is owned by Alfa Laval AB (publ) or its affiliates and protected by laws governing intellectual property and thereto related rights. Without limiting any rights related to this document, no part of this document may be copied, reproduced or transmitted in any form or by any means (electronic, mechanical, photocopying, recording, or otherwise), or for any purpose than expressed permission of Alfa Laval. Nor may it be used in any other way of for any other purpose than expressly permitted by Alfa Laval. Alfa Laval will enforce its rights related to this document to the fullest extent of the law, including the seeking of criminal prosecution.

# Pharma-line S Double Tube Sheet Shell & Tube Heat Exchanger



|  |                                     |
|--|-------------------------------------|
| Item No  | 9615012540                          |
| Model name                                     | Pharma-line S 2-2.4                 |
| Product connection size                        | NAC plate for Tri-clamp ASME BPE 2" |
| Shell connection size                          | Flange DN80                         |
| Item description                               | Pharma-line S 2-2.4 0,4EP PED       |
| Extra description                              | IN ASME BPE 2" DIN2635DN80DN80      |
| Volume shell side                              | 16.4 l                              |
| Volume tube side                               | 4.8 l                               |
| Weight empty                                   | 65 kg                               |
| Nozzles size Tube                              | ASME/OD 2"                          |
| Nozzle size flange                             | DIN2635/EN1092 DN 80                |
| A (Distance)                                   | 1948 mm                             |
| B (Diameter)                                   | 244 mm                              |
| C (Height)                                     | 244 mm                              |
| D (Distance)                                   | 53 mm                               |
| E (Distance)                                   | 54 mm                               |
| F (Length)                                     | 2124 mm                             |
| G (Distance)                                   | 125 mm                              |
| I (Distance)                                   | 135 mm                              |
| J (Height)                                     | 409 mm                              |
| L (Height)                                     | 178 mm                              |
| K (Diameter)                                   | 140 mm                              |
| Pressure vessel code                           | PED (directive 97/23/EC)            |
| Design pressure / Shell side                   | -1/10 bar (g)                       |
| Design temperature / Shell side                | -10/150 °C                          |
| Material / Shell side                          | SS 304/304L                         |
| Material / Media side (tube)                   | SS316L                              |
| Connection standard & size / Shell side        | Flange: DIN2635/EN1092-1            |
| Connection standard & size / Media side (tube) | NAC plate for Tri-clamp             |
| Surface finish                                 | Ra<0,4 EP on product wetted parts   |
| Insulation                                     | -                                   |

| Qty               | Pos | Item No | Description      | Material | Weight (kg) |
|-------------------|-----|---------|------------------|----------|-------------|
|                   |     | A3      | 12/07/2016 06:45 |          |             |
|                   |     | MM      | AL CAD Portal    |          |             |
|                   |     |         |                  |          |             |
| <b>9615012540</b> |     |         |                  |          |             |
| 1 OF 1            |     |         |                  |          |             |

Only to the extent expressly agreed by us this document may constitute a contractual obligation on our part

|                     |  |
|---------------------|--|
| Replaces drawing No |  |
| Rev No              |  |
| Revision            |  |
| Date                |  |
| Revised             |  |
| Checked             |  |
| Appr.               |  |