



## Spare Parts

Alfa Laval LeviMag® – Alfa Laval LeviMag® UltraPure



**OLD version of motors can be found in this spare part list.  
NOTE this list will NOT be updated.  
Looking for other parts than old motors, please use latest  
version.**

1001021908/100001149 EN6

2025-04

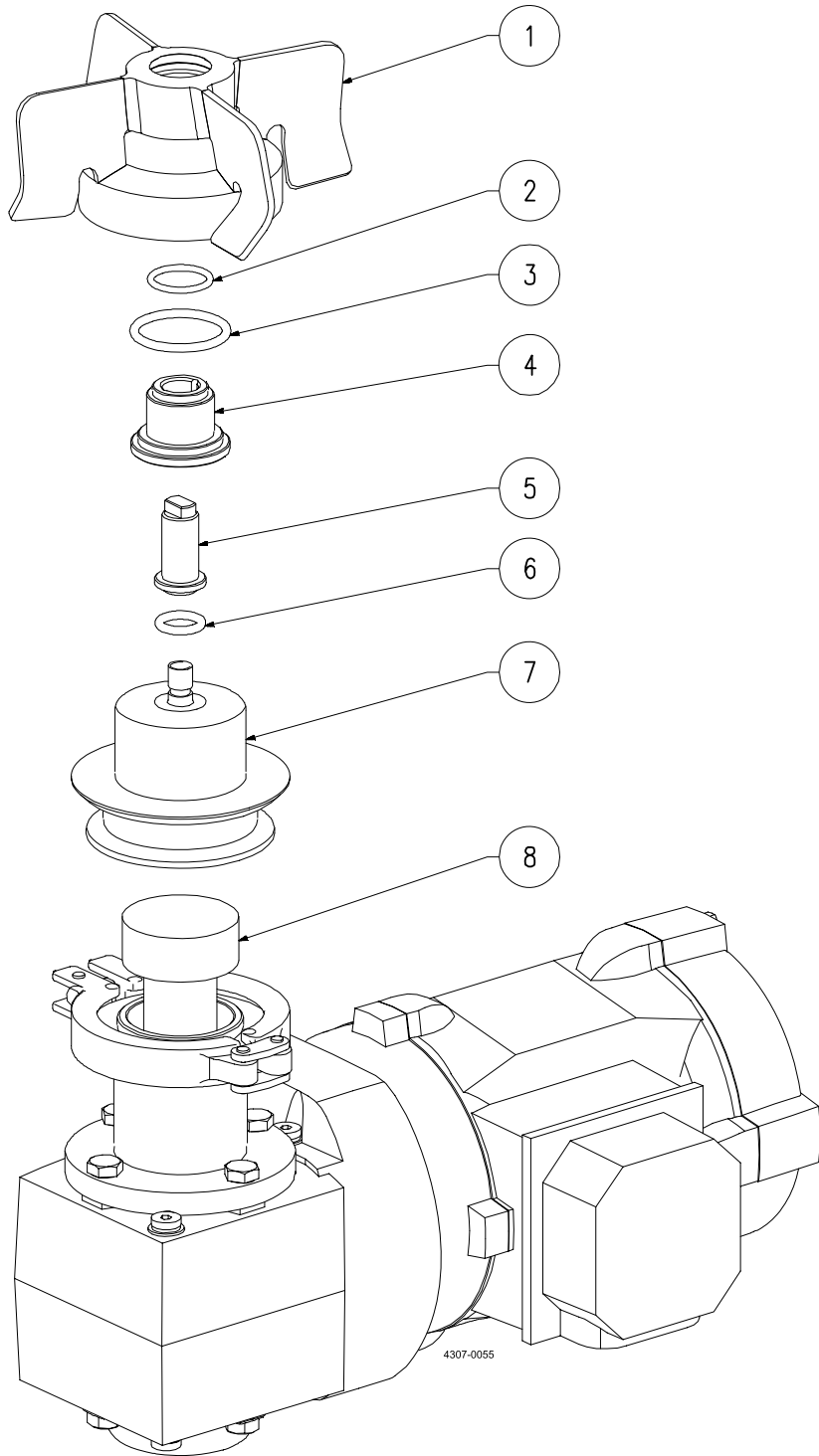
Original manual



---

*The information herein is correct at the time of issue but may be subject to change without prior notice*

1. Product overview - WP50 .....	4
2. Product overview - WP81 .....	6
3. Drive unit - WP50 .....	8
4. Drive unit - WP81 .....	10
5. Speed Sensor variants .....	12
6. Tools .....	14



Pos	Qty	Denomination	Item
1	1	Impeller .....	
2	□Δ	O-ring .....	
3	□Δ	O-ring .....	
4	□	Female Bearing .....	
5	◆	Male Bearing .....	
6	◆Δ	O-ring .....	
7	1	Weld Plate .....	9615454401
8	1	Drive Unit .....	

Item

Service kits - female bearing

□	EPDM - incl. Female bearing tool, see 6 Tools .....	8010055529
□	FFKM - incl. Female bearing tool, see 6 Tools .....	8010055530
□	FPM - incl. Female bearing tool, see 6 Tools .....	8010055531

Service kits - female bearing, UltraPure (Q-doc)

□	EPDM - incl. Female bearing tool, see 6 Tools .....	8010055541
□	FFKM - incl. Female bearing tool, see 6 Tools .....	8010055542
□	FPM- incl. Female bearing tool, see 6 Tools .....	8010055543

Service kit - male bearing

◆	EPDM - incl. male bearing tool, see 6 Tools .....	8010055523
◆	FFKM - incl. male bearing tool, see 6 Tools .....	8010055524
◆	FPM - incl. male bearing tool, see 6 Tools .....	8010055525

Service kit - male bearing, UltraPure (Q-doc)

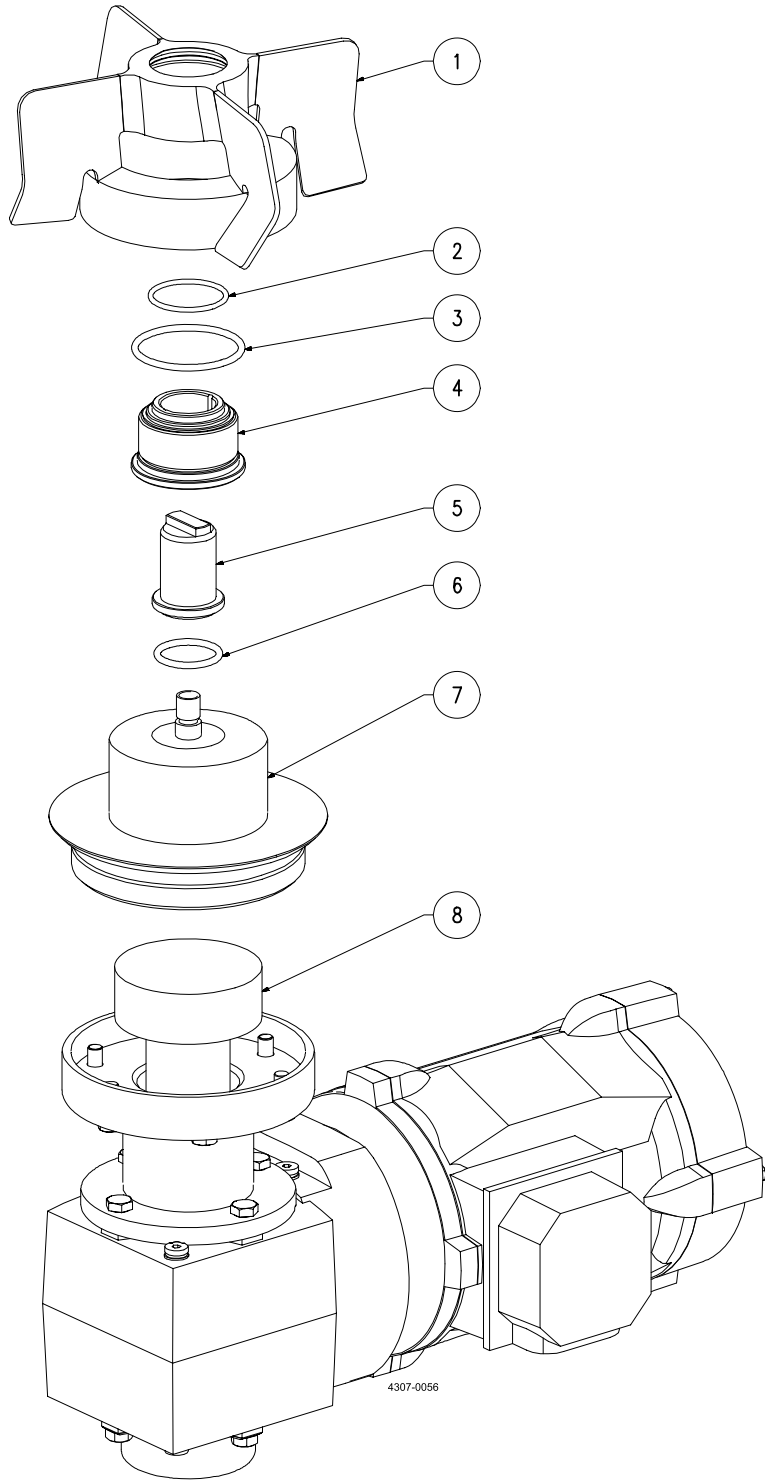
◆	EPDM - incl. male bearing tool, see 6 Tools .....	8010055535
◆	FFKM - incl. male bearing tool, see 6 Tools .....	8010055536
◆	FPM - incl. male bearing tool, see 6 Tools .....	8010055537

Service kit O-rings

Δ	EPDM .....	8010055547
Δ	FFKM .....	8010055548
Δ	FPM .....	8010055549

Service kit O-rings, UltraPure (Q-doc)

Δ	EPDM .....	8010055550
Δ	FFKM .....	8010055551
Δ	FPM .....	8010055552



Pos	Qty	Denomination	Item
1	1	Impeller .....	
2	□Δ	O-ring .....	
3	□Δ	O-ring .....	
4	□	Female Bearing .....	
5	◆	Male Bearing .....	
6	◆Δ	O-ring .....	
7	1	Weld Plate .....	9615433701
8	1	Drive Unit .....	

Item

Service kits - female bearing

□	EPDM - incl. female bearing tool, see 6 Tools .....	8010055532
□	FFKM - incl. female bearing tool, see 6 Tools .....	8010055533
□	PFM - incl. female bearing tool, see 6 Tools .....	8010055534

Service kits - female bearing (Q-doc), UltraPure

□	EPDM - incl. female bearing tool, see 6 Tools .....	8010055544
□	FFKM - incl. female bearing tool, see 6 Tools .....	8010055545
□	PFM - incl. Female bearing tool, see 6 Tools .....	8010055546

Service kit - male bearing

◆	EPDM - incl. Male bearing tool, see 6 Tools .....	8010055526
◆	FFKM - incl. Male bearing tool, see 6 Tools .....	8010055527
◆	FPM - incl. Male bearing tool, see 6 Tools .....	8010055528

Service kits - male bearing (Q-doc), UltraPure

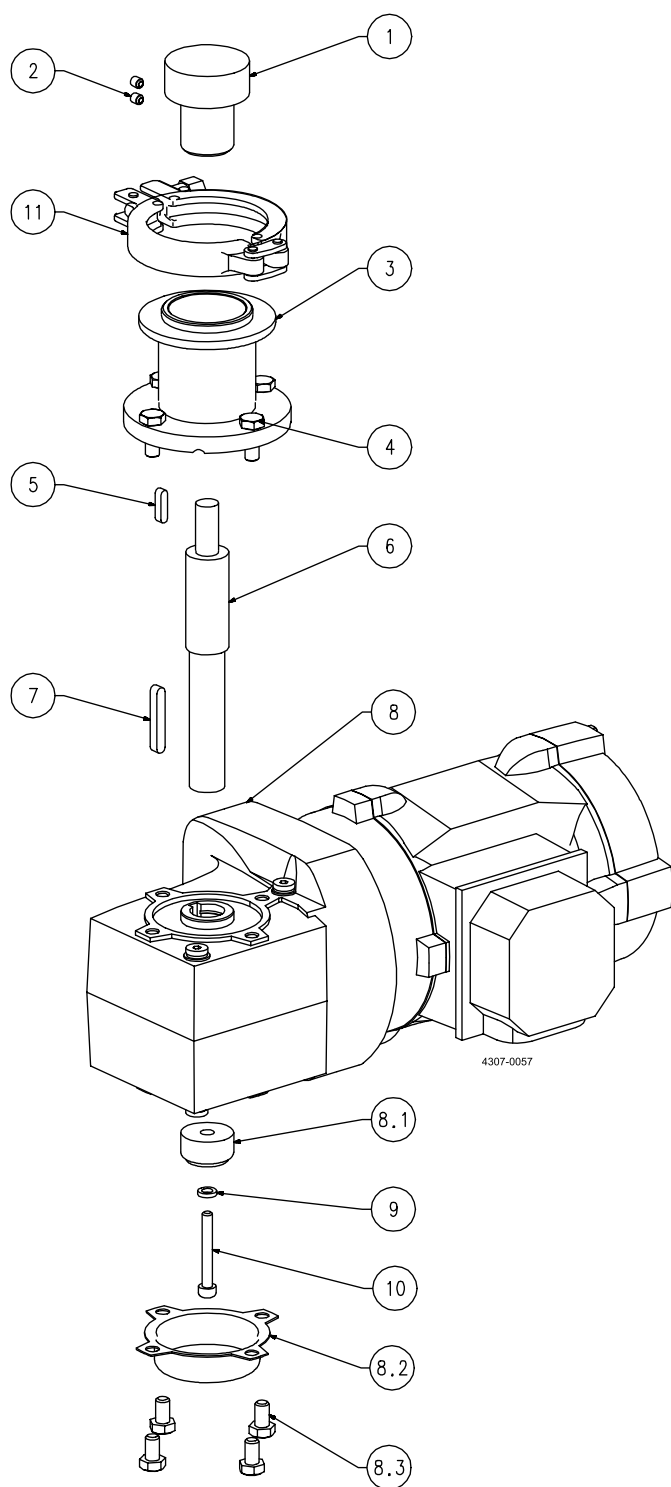
◆	EPDM - incl. Male bearing tool, see 6 Tools .....	8010055538
◆	FFKM - incl. Male bearing tool, see 6 Tools .....	8010055539
◆	FPM - incl. Male bearing tool, see 6 Tools .....	8010055540

Service kits - O-rings

Δ	EPDM .....	8010055553
Δ	FFKM .....	8010055554
Δ	FPM .....	8010055555

Service kits - O-rings, Ultra Pure (Q-doc)

Δ	EPDM .....	8010055556
Δ	FFKM .....	8010055557
Δ	FPM .....	8010055558



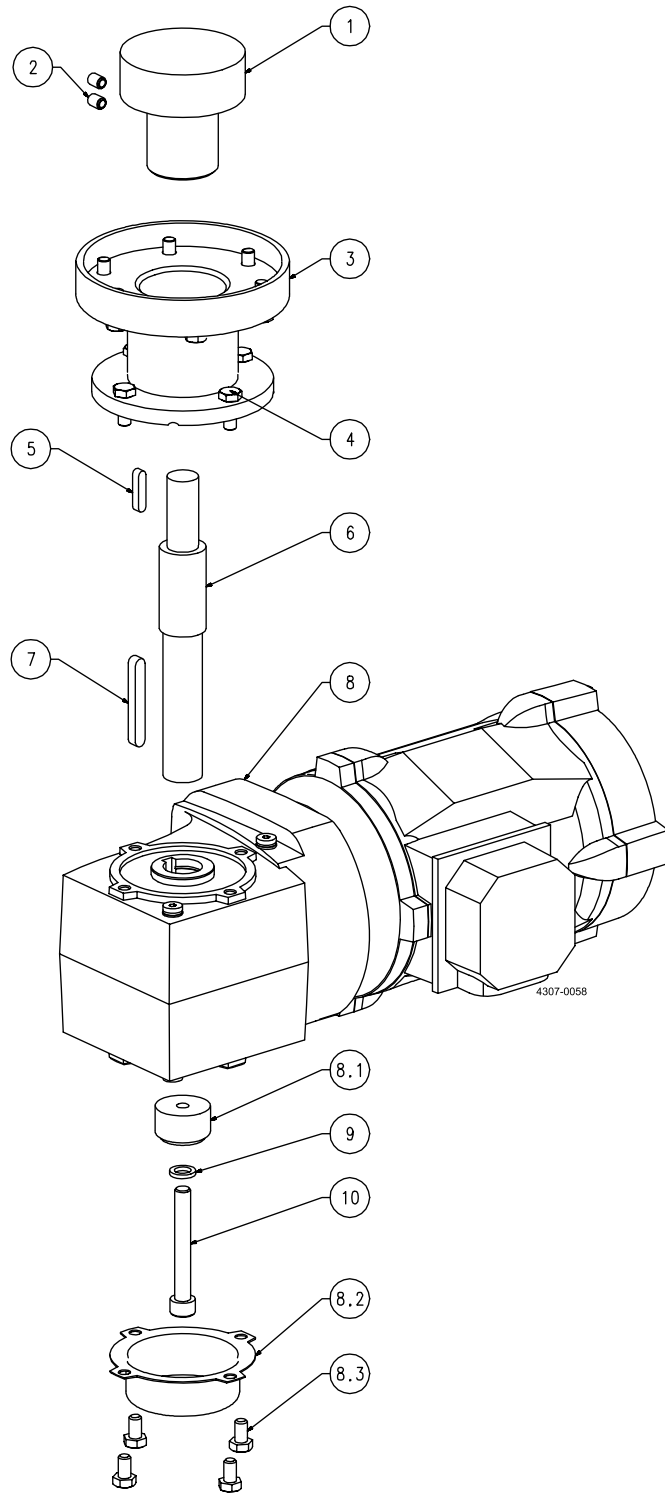
Pos	Qty	Denomination	Item
1	1	Drive Rotor .....	9615454701
2	2	Screw .....	9615457001
3	□	Flange, length 70 mm, <sup>1)</sup> .....	
	■	Flange, length 120 mm, <sup>1)</sup> .....	
4	4	Screw .....	TE2601000389
5	1	Parallel Key .....	9615456601
6	□	Shaft, length 173 mm .....	9615454601
	■	Shaft, length 223 mm .....	9615454602
7	1	Parallel Key .....	9615457401
8	1	Gear motor, - Blue, = 0°-22° .....	9615456701
	1	Gear motor, - Blue, = 23°-45° .....	9615456703
	1	Gear motor, - Clean room, = 0°-22° .....	9615456702
	1	Gear motor, - Clean room, = 23°-45° .....	9615456704
8.1	1	Fastening Element* .....	
8.2	1	Cover* .....	
8.3	4	Screw* .....	
9	1	Washer .....	9615462801
10	1	Screw .....	TE2601000184
11	1	Clamp .....	9634086467

**NOTE**

Length “□” and “■” must match each other

\* parts are included in the gear motor

<sup>1)</sup> These are request items that can only be sold on special Item number. We request serial number and item number of the machine they are to be replaced on.



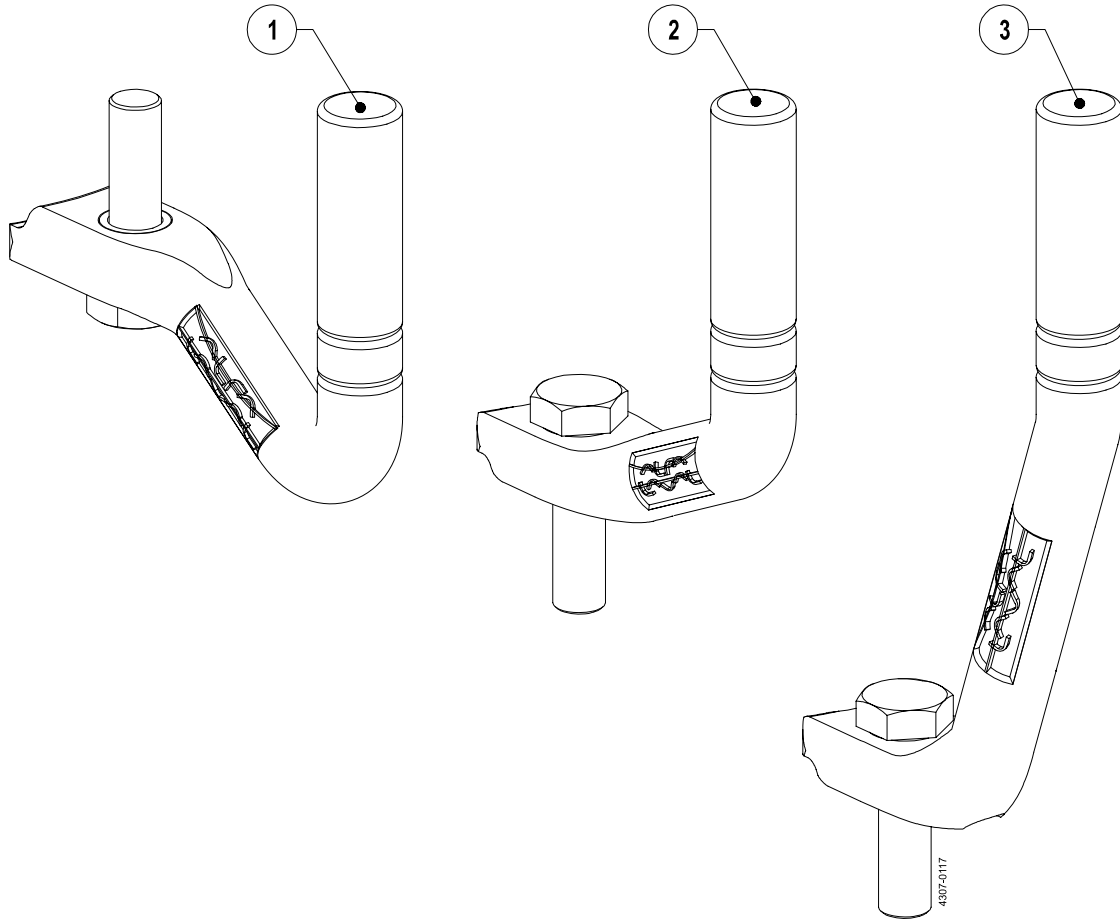
Pos	Qty	Denomination	Item
1	1	Drive Rotor .....	9615434001
2	2	Screw .....	9615434401
3	□	Flange, length 90 mm, <sup>1)</sup> .....	
	■	Flange, length 140 mm, <sup>1)</sup> .....	
4	10	Screw .....	TE2601000389
5	1	Parallel Key .....	9615434701
6	□	Shaft, - length 205 mm .....	9615433901
	■	Shaft, - length 255 mm .....	9615433902
7	1	Parallel Key .....	9615456801
8	1	Gear motor, - Blue, = 0°-22° .....	9615435101
	1	Gear motor, - Blue, = 23°-45° .....	9615435103
	1	Gear motor, - Clean room, = 0°-22° .....	9615435102
	1	Gear motor, - Clean room, = 23°-45° .....	9615435104
8.1	1	Fastening Element* .....	
8.2	1	Cover* .....	
8.3	4	Screw* .....	
9	1	Washer .....	TE2601000166
10	1	Screw .....	9615362001

**NOTE**

Length "□" and "■" must match each other

\* parts are included in the gear motor

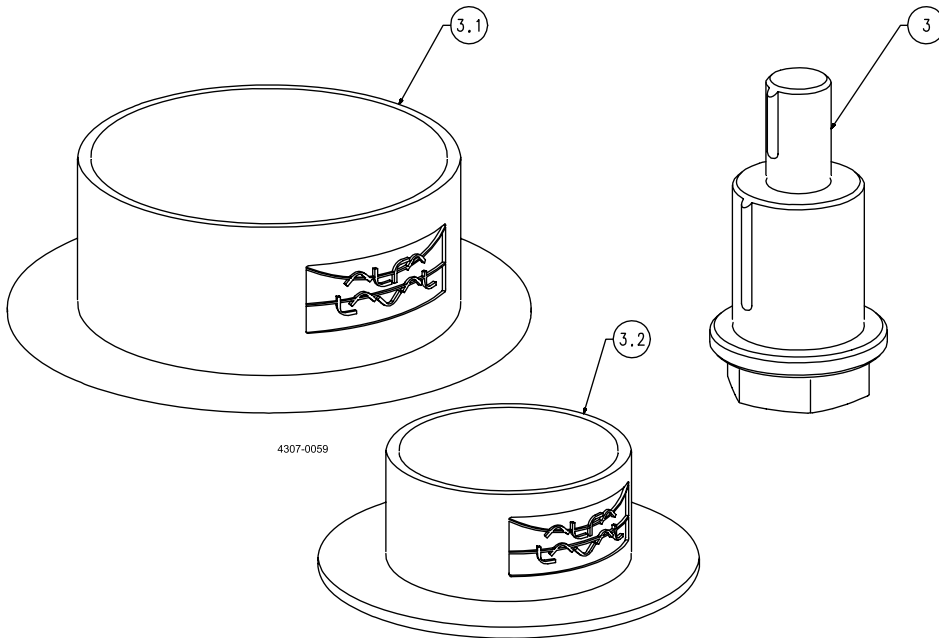
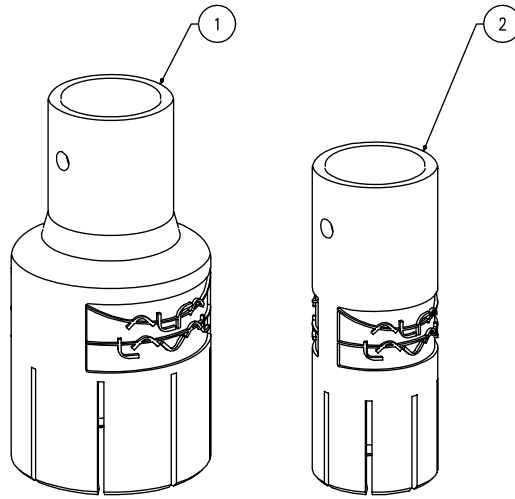
<sup>1)</sup> These are request items that can only be sold on special Item number. We request serial number and item number of the machine they are to be replaced on.



## Speed Sensor variants

---

<b>Pos</b>	<b>Qty</b>	<b>Denomination</b>	<b>Item no.</b>
1	1	Speed Sensor WP81 .....	8010004754
2	1	Speed Sensor WP50, Standard Console height .....	8010004752
3	1	Speed Sensor WP50, Extended Console height .....	8010004753



Tools

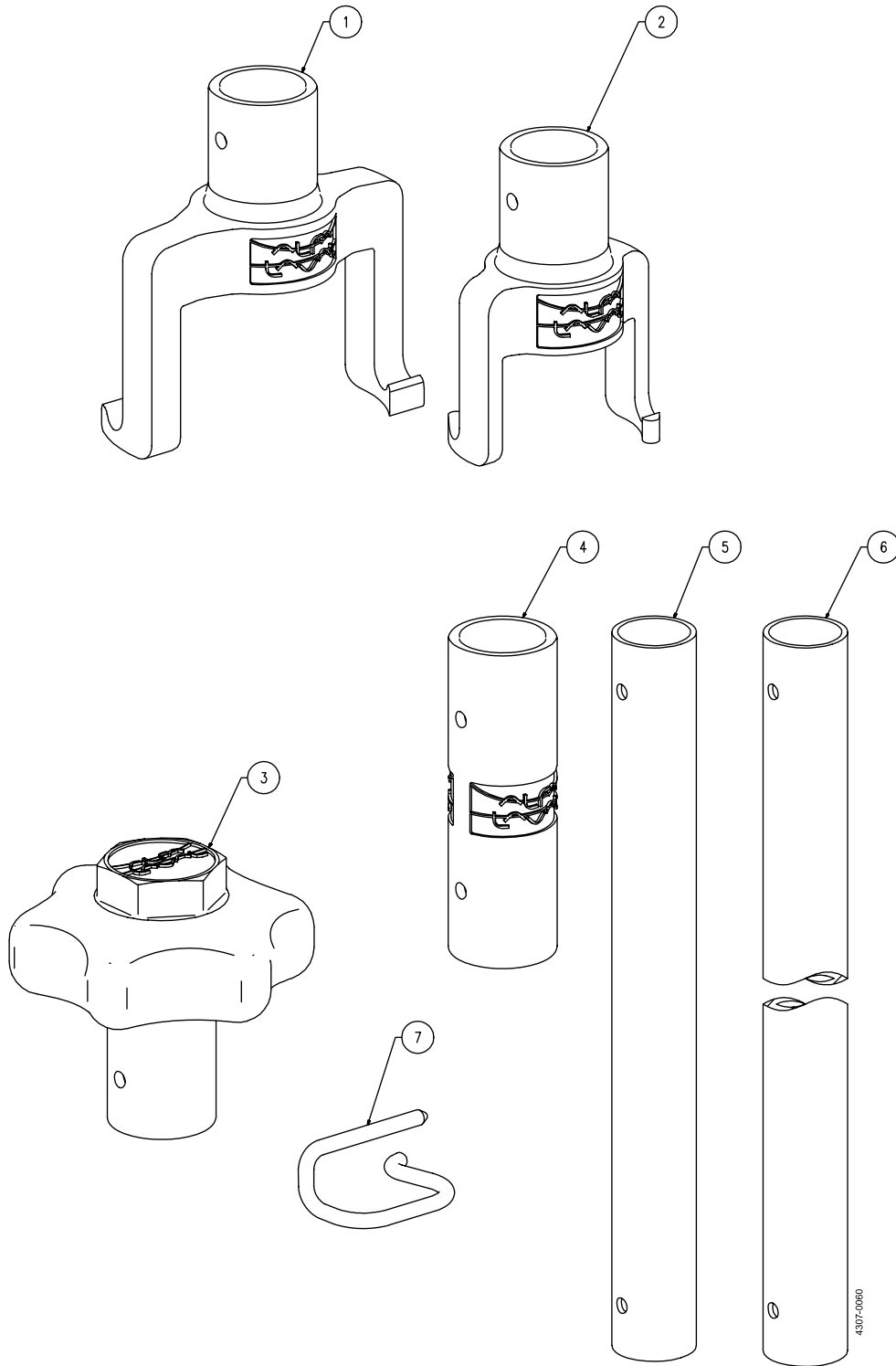
---

Pos	Qty	Denomination	Item
<b>Male Bearing tool</b>			
1	1	Male Bearing Tool - WP81* .....	9615471901
2	1	Male Bearing Tool - WP50* .....	9615472301

Pos	Qty	Denomination	Item
<b>Female Bearing tool kit - WP81</b>			
		Female Bearing Tool kit - WP81* .....	9615469801
		consisting of: .....	
3	1	Female Bearing tool .....	
3.1	1	Protection Shield Female Bearing - WP81 .....	

Pos	Qty	Denomination	Item
<b>Female Bearing tool kit - WP50</b>			
		Female Bearing tool kit - WP50* .....	9615469701
		consisting of: .....	
3	1	Female Bearing tool .....	
3.2	1	Protection Shield Female Bearing - WP50 .....	

\* Tools are included when ordering bearing Service kits.



Tools

---

Pos	Qty	Denomination	Item
<b>Impeller Lifting Devices</b>			
1	1	Impeller Lifting Device WP81 .....	9615472101
2	1	Impeller Lifting Device WP50 .....	9615472501

Pos	Qty	Denomination	Item
<b>Lifting Rod Handle kit</b>			
		Lifting Rod Handle kit .....	9615469901
		consisting of: .....	
3	1	Lifting Rod Handle .....	
5	1	Lifting Rod 200 mm .....	
7	2	Clip .....	

Pos	Qty	Denomination	Item
<b>Lifting Rod kit, 700 mm</b>			
		Lifting Rod kit, 700 mm .....	9615470101
		consisting of: .....	
6	1	Lifting Rod 700 mm .....	
4	1	Lifting Rod Connection Piece .....	
7	2	Clip .....	

Pos	Qty	Denomination	Item
<b>Lifting Rod kit, 200 mm</b>			
		Lifting Rod kit, 200 mm .....	9615470001
		consisting of: .....	
5	1	Lifting Rod 200 mm .....	
4	1	Lifting Rod Connection Piece .....	
7	2	Clip .....	

**How to contact Alfa Laval**

Contact details for all countries are continually updated on our website.

Please visit [www.alfalaval.com](http://www.alfalaval.com) to access the information directly.

© Alfa Laval Corporate AB

This document and its contents is owned by Alfa Laval Corporate AB and protected by laws governing intellectual property and thereto related rights. It is the responsibility of the user of this document to comply with all applicable intellectual property laws. Without limiting any rights related to this document, no part of this document may be copied, reproduced or transmitted in any form or by any means (electronic, mechanical, photocopying, recording, or otherwise), or for any purpose, without the expressed permission of Alfa Laval Corporate AB. Alfa Laval Corporate AB will enforce its rights related to this document to the fullest extent of the law, including the seeking of criminal prosecution.