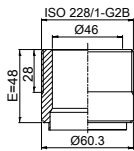
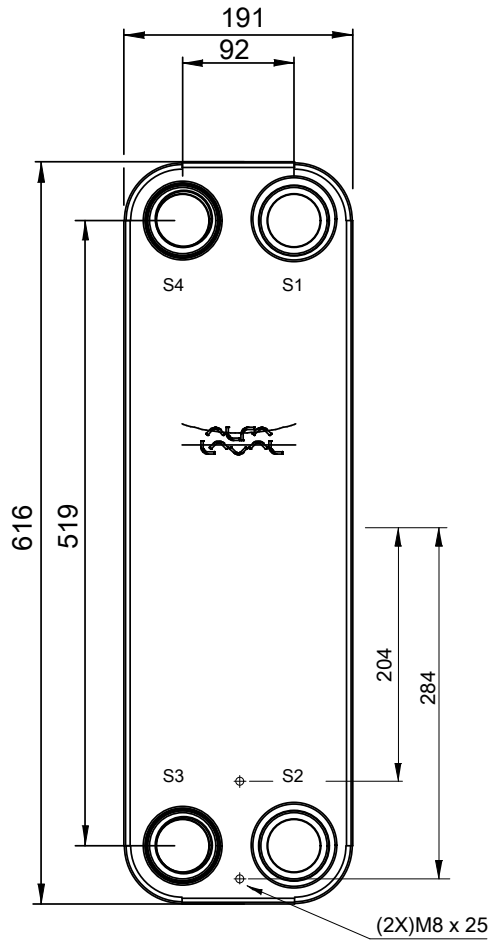
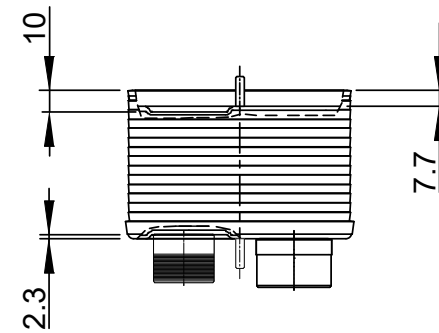
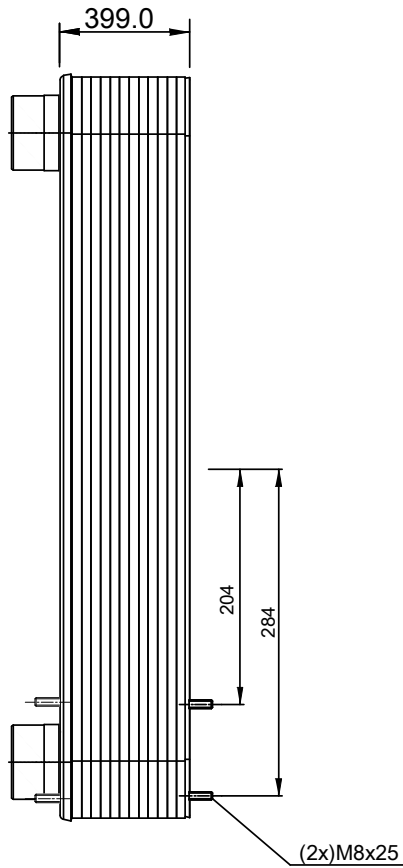
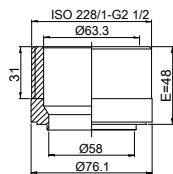


Note that all unique customer requirements (i.e tolerance) need to be verified thru Alfa Laval.

B 23  
Alloy 316  
S3,S4



O 4  
Alloy 316  
S1,S2



HEATING SURFACE  
NETWEIGHT 64.6 kg  
OPERATING WEIGHT kg  
PLATE MATERIAL ALLOY 316  
PLATE GROUPING 1\*74L/1\*75L

ALL DIMENSIONS IN MILLIMETERS

SIDE	MEDIA	INLET	TEMP.	OUTLET	TEMP.	FLOW RATE	PRESSURE DROP	LIQUID VOL.
1		S1		S2				15.8 dm <sup>3</sup>
2		S3		S4				15.5 dm <sup>3</sup>

PRESSURE VESSEL APPROVAL

PED

CB110-150L (3287122743)

[www.alfalaval.com](http://www.alfalaval.com)

CUSTOMER NAME / REF. NO.

TOTAL LENGTH 462.0 mm  
TOTAL WIDTH 191.0 mm  
TOTAL HEIGHT 616.0 mm

COMPANY / REF.



4/16/2024  
REV 0