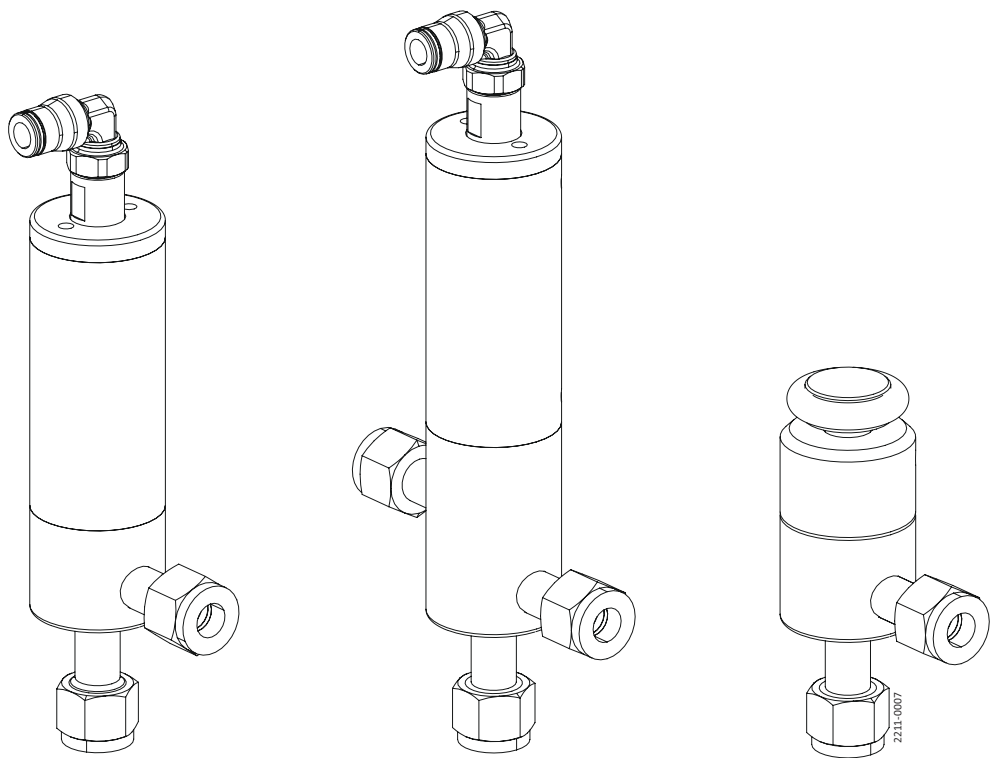


# Alfa Laval SB Mini Flow Valve

---



Lit. Code

200007937-2-EN-GB

**Instruction Manual**

**Published by**  
Alfa Laval Kolding A/S  
Albuen 31  
DK-6000 Kolding, Denmark  
+45 79 32 22 00

**The original instructions are in English**

**© Alfa Laval AB 2025-02**

This document and its contents are subject to copyrights and other intellectual property rights owned by Alfa Laval AB (publ) or any of its affiliates (jointly "Alfa Laval"). No part of this document may be copied, re-produced or transmitted in any form or by any means, or for any purpose, without Alfa Laval's prior express written permission. Information and services provided in this document are made as a benefit and service to the user, and no representations or warranties are made about the accuracy or suitability of this information and these services for any purpose. All rights are reserved.

---

# Contents

|          |   |           |
|----------|---|-----------|
| <b>1</b> | <b>Declarations of Conformity</b> .....           | <b>5</b>  |
| 1.1      | EU Declaration of Conformity.....                 | 5         |
| 1.2      | UK Declaration of Conformity.....                 | 6         |
| <b>2</b> | <b>Safety</b> .....                               | <b>7</b>  |
| 2.1      | Safety Signs.....                                 | 8         |
| 2.2      | Safety Precautions.....                           | 10        |
| 2.3      | Warning Signs in Text.....                        | 15        |
| 2.4      | Requirements of Personnel.....                    | 16        |
| 2.5      | Recycling Information.....                        | 17        |
| <b>3</b> | <b>Introduction</b> .....                         | <b>19</b> |
| <b>4</b> | <b>Installation</b> .....                         | <b>21</b> |
| 4.1      | Unpacking/delivery.....                           | 21        |
| 4.2      | General installation.....                         | 21        |
| 4.3      | Valve installation.....                           | 21        |
| 4.4      | Recycling information.....                        | 24        |
| <b>5</b> | <b>Operation</b> .....                            | <b>25</b> |
| <b>6</b> | <b>Maintenance</b> .....                          | <b>27</b> |
| 6.1      | General maintenance.....                          | 27        |
| <b>7</b> | <b>Technical Data</b> .....                       | <b>33</b> |
| 7.1      | Technical data.....                               | 33        |
| 7.2      | Physical data.....                                | 33        |
| <b>8</b> | <b>Spare Parts</b> .....                          | <b>35</b> |
| 8.1      | Ordering Spare Parts.....                         | 35        |
| 8.2      | Alfa Laval Service.....                           | 35        |
| 8.3      | Warranty - Definition.....                        | 36        |
| <b>9</b> | <b>Parts Lists and Exploded Views</b> .....       | <b>37</b> |
| 9.1      | Mini Flow Valve, pneumatic angle valve.....       | 37        |
| 9.2      | Mini Flow Valve, pneumatic change-over valve..... | 38        |
| 9.3      | Mini Flow Valve, manual valve.....                | 39        |

This page is intentionally left blank.

# 1 Declarations of Conformity

## 1.1 EU Declaration of Conformity

The designated company

Alfa Laval Kolding A/S, Albuen 31, DK-6000 Kolding, Denmark, +45 79 32 22 00

Company name, address and phone number

Hereby declare that

Valve

Designation

SB Mini Flow Valve

Type

is in conformity with the following directives with amendments:

- Machinery Directive 2006/42/EC

The person authorised to compile the technical file is the signer of this document.

Vice President BU Hygienic Fluid Handling

Head of Product Management

Title

Mikkel Nordkvist

Name

Kolding, Denmark

Place

2024-06-01

Date (YYYY-MM-DD)



Signature

DoC Revison\_ 01\_062024 / This Declaration of Conformity replaces Declaration of Conformity dated 2022-11-17



## 1.2 UK Declaration of Conformity

The designated company

Alfa Laval Kolding A/S, Albuen 31, DK-6000 Kolding, Denmark, +45 79 32 22 00

Company name, address and phone number

Hereby declare that

Valve

Designation

SB Mini Flow Valve

Type

is in conformity with the following directives with amendments:

- The Supply of Machinery (Safety) Regulations 2008

Signed on behalf of: Alfa Laval Kolding A/S.

Vice President BU Hygienic Fluid Handling  
Head of Product Management

Title

Mikkel Nordkvist

Name

Kolding, Denmark

Place

2024-06-01

Date (YYYY-MM-DD)



Signature

DoC Revison\_ 02\_062024



## 2 Safety

### Read this first



This Instruction Manual is designed for operators and service engineers working with the supplied Alfa Laval product.

Operators must read and understand the **Safety, Installation and Operating** instructions of the supplied Alfa Laval product before carrying out any work or before you put the supplied Alfa Laval product into service!

Not following the instructions can result in serious accidents.

This documentation describes the authorized way to use the supplied Alfa Laval product. Alfa Laval will take no responsibility for injury or damage if the equipment is used in any other way.

This Instruction Manual is designed to provide the user with the information to perform tasks safely for all phases in the lifetime of the supplied Alfa Laval product.

The operator shall always read the chapter **Safety** first. Hereafter the operator can skip to the relevant section for the task to be carried out or for the information needed.

**Always** read the chapter **Technical Data** thoroughly.

This is the complete Instruction Manual for the supplied Alfa Laval product.


#### NOTE

The illustrations and specifications in this Instruction Manual were effective at the date of printing. However, as continuous improvements are our policy, we reserve the right to alter or modify the Instruction Manual without prior notice or any obligation.





The English version of the Instruction Manual is the original manual. Alfa Laval cannot be held responsible for incorrect translations. In case of doubt, the English version applies.

## 2.1 Safety Signs



### Mandatory Action Signs

|   |   |
|---|---|
|    | General mandatory action sign.                              |
|    | Refer to instruction manual.                                |
|    | Use eye protection - safety glasses.                        |
|    | Use protective hand wear - safety gloves.                   |
|    | Wear protective equipment - safety helmet.                  |
|   | Use ear protection in noisy environments - noise protector. |
|  | Wear protective equipment - safety shoes.                   |

### Warning Signs

|   |   |
|---|---|
|  | General warning.  |
|  | Transportation with forklift truck or other industrial vehicles if heavy. |
|  | Hot surface and burning danger.   |
|  | Cutting danger.   |




|   |                      |
|---|----------------------|
|  | Corrosive substance. |
|  | Crushing of hands.   |






## 2.2 Safety Precautions

All warnings in the Instruction Manual are summarised on these pages. Pay special attention to the instructions below so that severe personal injury and/or damage to the supplied Alfa Laval product is avoided.






### General

|   |   |
|---|---|
|  | <p>To prevent unexpected start and contact with electrical live and moving parts.</p> <p><b>Always</b> disconnect the power supply safely:</p> <ul style="list-style-type: none"> <li>• The power supply disconnecting device must be disconnected (in off position) and locked.</li> </ul> |
|---|---|





### Transportation and Lifting

|  |   |
|--|---|
|    | <p><b>Never</b> lift or elevate in any way other than described in this manual.</p> <p><b>Always</b> use the original packaging or similar during transportation.</p> <p><b>Always</b> ensure that personnel must have experience with lifting operations.</p> <p><b>Always</b> ensure that all connections are disconnected before attempting to remove the valve from the installation.</p> <p><b>Always</b> ensure that no leakage of lubricants can occur.</p> <p><b>Always</b> drain liquid out of the valves before transportation.</p> <p><b>Always</b> ensure sufficient fixing of the valve during transportation - if specially designed packaging material is available, it must be used.</p> <p><b>Always</b> ensure that compressed air is released.</p> |
|    | <p><b>Always</b> use designated lifting points if defined. Ensure that the lifting equipment is suitable for the supplied Alfa Laval product.</p> <p><b>Always</b> ensure that the unit is securely fixed during transportation.</p> <p><b>Always</b> ensure the lifting point to be in line with center of gravity. Adjust lifting point if necessary.</p> <p><b>Always</b> use suitable transport device ie. forklift or pallet lifter.</p> <p><b>Always</b> use appropriate lifting equipment for heavy parts when relevant. Use lifting logs when available.</p> <p><b>Always</b> keep an eye on the load and stay clear during the lifting operation.</p>  |





## Installation

|   |   |
|---|---|
|    | <p>If the local safety regulations prescribe that the installation has to be inspected and approved by responsible authorities before the valve is put into service, consult with such authorities before installing the equipment and have the projected installation approved by them.</p> <p><b>Always</b> release compressed air after use.</p> <p><b>Always</b> assemble the valve completely before startup and make sure everything is in place and correctly tightened.</p> |
|    | <p><b>Always</b> ensure that the valve and pipelines are depressurized, emptied, and cooled down to ambient temperature before installation, inspection, assembly, or dismantling of the valve.</p> <p><b>Never</b> touch the valve or the pipelines when processing hot liquids or when sterilising.</p>   |
|    | <p><b>Never</b> work on the valve or touch moving parts if the actuator is supplied with compressed air.</p>  |


## Operation

|   |  |
|---|--|
|  | <p>Always read <b>Technical Data</b> thoroughly.</p> <p><b>Never</b> operate the valve unless a correct installation has been verified.</p>  |
|  | <p><b>Never</b> touch the valve or pipelines when hot.</p> <p><b>Never</b> touch the valve or the pipelines when processing hot liquids or when sterilising.</p>   |
|  | <p><b>Always</b> rinse well with clean water after cleaning.</p> <p><b>Always</b> handle lye and acid with great care.</p> <p><b>Always</b> follow the instructions in the safety data sheets from the suppliers of cleaning agents, detergents, oils etc.</p>   |
|  | <p><b>Never</b> touch moving parts of the valve during operation.</p> <p><b>Never</b> dismantle the valve during operation or when pressurized.</p> <p><b>Always</b> release compressed air after use.</p> <p><b>Never</b> touch the moving parts if the actuator is supplied with compressed air.</p> |


## Maintenance

|  |   |
|--|---|
|   | <p>In order to optimise the operation of the supplied Alfa Laval product and to minimize the down time due repair activities, the maintenance includes:</p> <ul style="list-style-type: none"> <li>• Inspection and maintenance of the supplied Alfa Laval product: strictly follow the technical documentation</li> <li>• <b>Preventive maintenance:</b> visual inspection of the supplied Alfa Laval product followed by necessary adjustments and planned periodic replacement of wear and tear parts</li> <li>• <b>Repairs:</b> unscheduled break down of a component, often causing the system to stop. Damaged components must be replaced</li> <li>• <b>Stock of Alfa Laval genuine spare parts:</b> Alfa Laval recommend keeping a stock of genuine spare parts facilitating preventive maintenance and reducing downtime in case of unplanned break downs</li> </ul> |
| <br> | <p><b>Always</b> release compressed air after use.</p> <p><b>Always</b> ensure that the valve and pipelines are depressurized, emptied, and cooled down to ambient temperature before dismantling the valve.</p>  |
|    | <p><b>Never</b> work on the valve or touch moving parts if the actuator is supplied with compressed air.</p>  |





## Storage

|   |   |
|---|---|
|  | <p><b>Alfa Laval recommend:</b></p> <ul style="list-style-type: none"> <li>• Store the supplied Alfa Laval product as supplied in original packaging</li> <li>• Port opening(s) should be protected against any ingress</li> <li>• Store in a clean, dry place without direct sunlight or UV light</li> <li>• Temperature range -5 °C to +40 °C (23 °F - 104 °F)</li> <li>• Relative humidity less than 60%</li> <li>• No exposure to corrosive substances (including contained air)</li> </ul> |
|---|---|

## Noise

|   |  |
|---|--|
|  | <p>Under certain operating conditions, the supplied Alfa Laval product and/or the systems in which they are installed can produce high sound pressure levels. Appropriate noise protection measures should be taken when necessary and in accordance with local legislation.</p> |
|---|--|

## Hazards

|   |  |
|---|--|
|    | <p><b>Burn Hazard</b></p> <ul style="list-style-type: none"><li>• Lubrication oil, machine parts and various machine surfaces can be hot and cause burns. Wear protective gloves</li></ul>   |
|    | <p><b>Corrosive Hazard</b></p> <ul style="list-style-type: none"><li>• Always handle cleaning liquids, lye and acid with great care and in accordance with separate instructions for those fluids</li><li>• When using chemical cleaning agents and lubricants, make sure you follow the general rules and suppliers recommendation regarding ventilation, personnel protection etc.</li></ul> |
|   | <p><b>Cut Hazard</b></p> <ul style="list-style-type: none"><li>• Sharp edges, especially on bowl discs and threads, can cause cuts. Wear protective gloves</li></ul>   |
|  | <p><b>Crushing Hazard</b></p> <ul style="list-style-type: none"><li>• Avoid placing hands into valve orifice pinch points</li></ul>  |

## Safety check



A visual inspection of any protective device (shield, guard, cover or other) on the supplied Alfa Laval product shall be carried out at least every 12 months. If the protective device is lost or damaged, especially when this leads to deterioration of safety performance, it shall be replaced. The fixing of the protective device should only be replaced with fixings of the same or an equivalent type.

**Inspection acceptance criteria:**

- It should not be possible to reach moving parts originally protected by a protective device
- The protective device must be securely mounted
- Ensure that screws for the protective device are securely tightened

**Procedure in case of non-acceptance:**

- Fix and/or replace the protective device

## 2.3 Warning Signs in Text

Pay attention to the safety instructions in this Instruction Manual.

Below are definitions of the four grades of warning signs used in the text where there is a risk for injury to personnel or damage to the supplied Alfa Laval product.



Indicates an imminently hazardous situation which, if not avoided, will result in death or serious injury.



Indicates a potentially hazardous situation which, if not avoided, could result in death or serious injury.



Indicates a potentially hazardous situation which, if not avoided, may result in minor or moderate damage to the supplied Alfa Laval product.



Indicates important information to simplify or clarify procedures.

## 2.4 Requirements of Personnel

### **Operators**

The operators shall read and understand this Instruction Manual.

### **Maintenance personnel**

The maintenance personnel shall read and understand this Instruction Manual. The maintenance personnel or technicians shall be skilled within the field required to carry out the maintenance work safely.

### **Trainees**

Trainees can perform tasks under the supervision of an experienced employee.

### **People in general**

The public shall not have access to the supplied Alfa Laval product.

In some cases, specially skilled personnel may need to be hired (i.e. electricians, welders). In some cases the personnel has to be certified according to local regulations with experience of similar types of work.



## 2.5 Recycling Information

### Unpacking

Packing material may consist of wood, plastics, cardboard boxes and in some cases metal straps.



- Wood and cardboard boxes can be reused, recycled or used for energy recovery
- Plastics should be recycled or burnt at a licensed waste incineration plant
- Metal straps should be sent for material recycling

### Maintenance

During maintenance, oil (if used) and wear parts in the supplied Alfa Laval product should be replaced.

- Oil and all non-metal wear parts must be disposed of in accordance with local regulations
- Rubber and plastics should be burnt at a licensed waste incineration plant. If not available they should be disposed of in accordance with local regulations
- Bearings and other metal parts should be sent to a licensed handler for material recycling
- Seal rings and friction linings should be disposed of to a licensed land fill site. Check your local regulations
- All metal parts should be sent for material recycling
- Worn out or defected electronic parts should be sent to a licensed handler for material recycling

### Scrapping

At end of use, the equipment must be recycled in accordance with the relevant local regulations. Besides the equipment itself, any hazardous residues from the process liquid must be considered and dealt with in a proper manner. When in doubt, or in the absence of local regulations, please contact your local Alfa Laval sales company.

### How to contact Alfa Laval

Contact details for all countries are continually updated on our website.

Please visit [www.alfalaval.com](http://www.alfalaval.com) to access the information directly.

This page is intentionally left blank.

---

## 3 Introduction

The Alfa Laval SB Mini Flow Valve is a reliable single seat valve with a single contact surface between the plug and the seat to minimize the risk of contamination. Designed for working in a gas or liquid environment, it is used to close or divert small product flows when hygienic shut off and changeover are required.

This page is intentionally left blank.

## 4 Installation

### 4.1 Unpacking/delivery

#### NOTE

The instruction manual is part of delivery. Study the instructions thoroughly.

The items refer to *Parts Lists and Exploded Views* on page 37.

#### CAUTION

Alfa Laval cannot be held responsible for incorrect unpacking.

Check the delivery for:

- Complete valve
- Instruction manual

1 Remove any packing materials from the valve/valve parts.

2 Inspect the valve/valve parts for visible transport damage.

Avoid damaging the valve/valve parts.

### 4.2 General installation

#### WARNING

**Always** read *Technical Data* on page 33 thoroughly.

#### WARNING

**Always** release compressed air from the actuator for force opening after use.

#### CAUTION

Alfa Laval cannot be held responsible for incorrect installation.

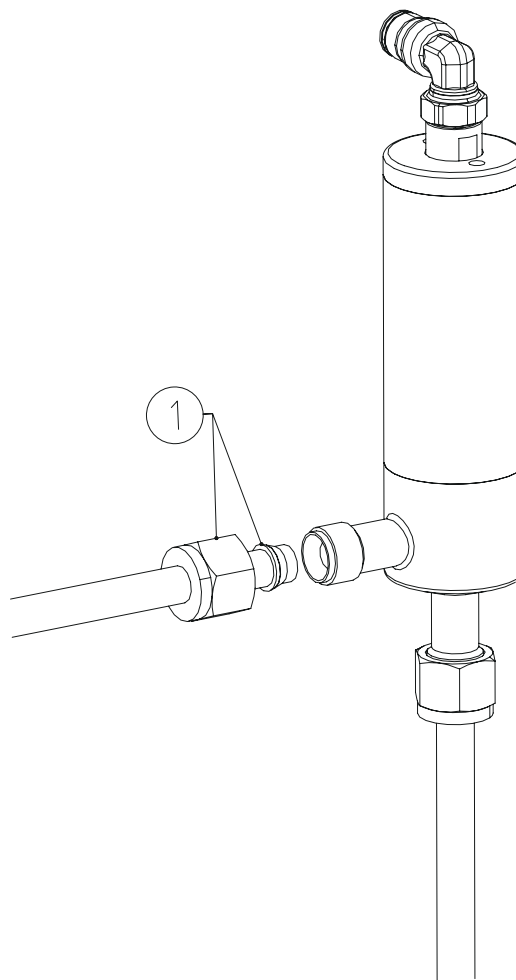
### 4.3 Valve installation

#### NOTE

The valve can be mounted in any position. However, care must be taken to facilitate complete drainage from the valve.

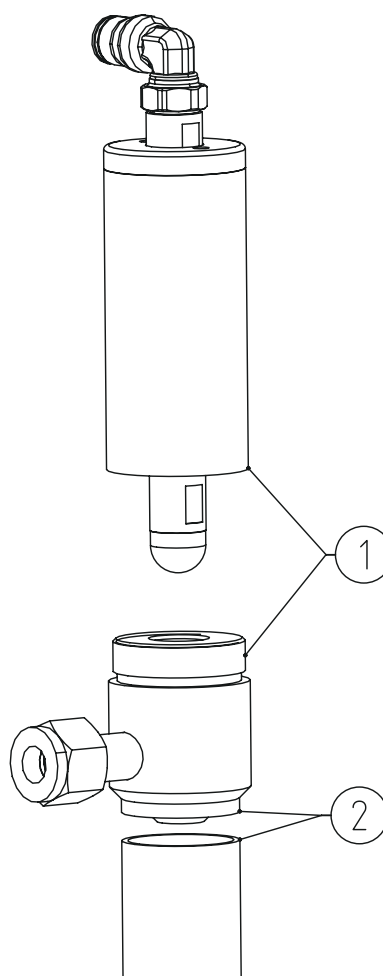
**Pipe connection**

1. Place ferrule and nut onto pipe (pos. 1)
2. Ensure that the connections are tight
3. Connect air supply by O.D 6 x 1 mm nylon hose

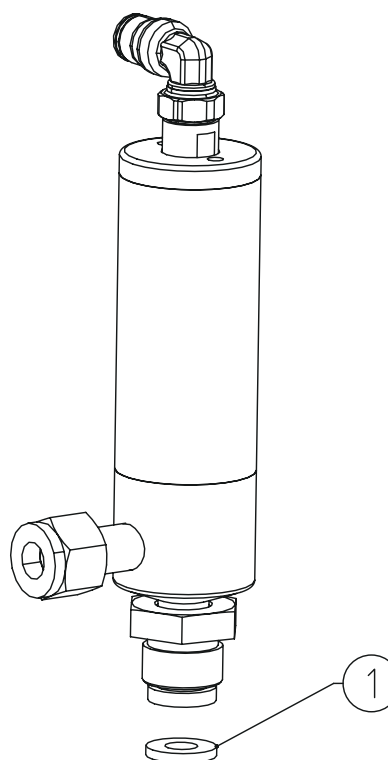


**Weld connection**

1. The valve must be disassembled so the gasket and O-rings are not damaged by the heat
2. Unscrew cylinder (pos. 1)
3. Weld valve head and pipe (pos. 2)
4. It is important that the valve seat is not damaged by grinding or excessive heat
5. Connect air supply by O.D 6 x 1 mm nylon hose

**Threaded connection**

1. 3/8" BSP male nut
2. Make sure to use supplied gasket (pos. 1)
3. Ensure that the connections are tight
4. Connect air supply by O.D 6 x 1 mm nylon hose



## 4.4 Recycling information

### Unpacking

- Packing material consists of wood, plastics, cardboard boxes and, in some cases, metal straps
- Wood and cardboard boxes can be reused, recycled or used for energy recovery
- Plastics should be recycled or burnt at an authorised waste incineration plant
- Metal straps should be sent for material recycling

### Maintenance

- All metal parts should be sent for material recycling
- Worn out or defective electronic parts should be sent to a licensed handler for material recycling

### Scrapping

- At the end of use, the equipment should be recycled according to relevant local regulations. As well as the equipment itself, any hazardous residues from the process liquid must be considered and dealt with in a proper manner. When in doubt, or in the absence of local regulations, please contact your local Alfa Laval sales company



## 5 Operation

### NOTE

Study the instructions carefully and pay special attention to the warnings!  
Ensure that the valve operates smoothly.  
The items refer to [Parts Lists and Exploded Views](#) on page 37.

### WARNING

**Always** read [Technical Data](#) on page 33 thoroughly.

### WARNING

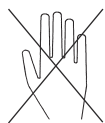
**Always** release compressed air after use.

### CAUTION

Alfa Laval cannot be held responsible for incorrect operation.

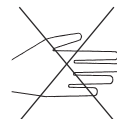
### WARNING **Burn hazard!**

**Never** touch the valve or the pipelines when processing hot liquids or when sterilising.



### WARNING **Moving parts!**

**Never** touch the moving parts if the actuator is supplied with compressed air.



This page is intentionally left blank.

## 6 Maintenance

### 6.1 General maintenance

#### NOTE

Maintain the valve regularly.

Study the instructions carefully and pay special attention to the warnings!

Always keep spare rubber and seal parts in stock.

Check the valve for smooth operation after service.

#### WARNING

**Always** read *Technical Data* on page 33 thoroughly.

#### WARNING

**Always** release compressed air after use.

#### WARNING

All scrap must be stored/disposed of in accordance with current regulations.

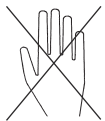
#### WARNING

**Atmospheric pressure required!**

**Never** service the valve with the valve and pipelines under pressure.

**Burn hazard!**

**Never** service the valve when it is hot.



#### WARNING **Moving parts!**

**Never** touch the moving parts if the actuator is supplied with compressed air.



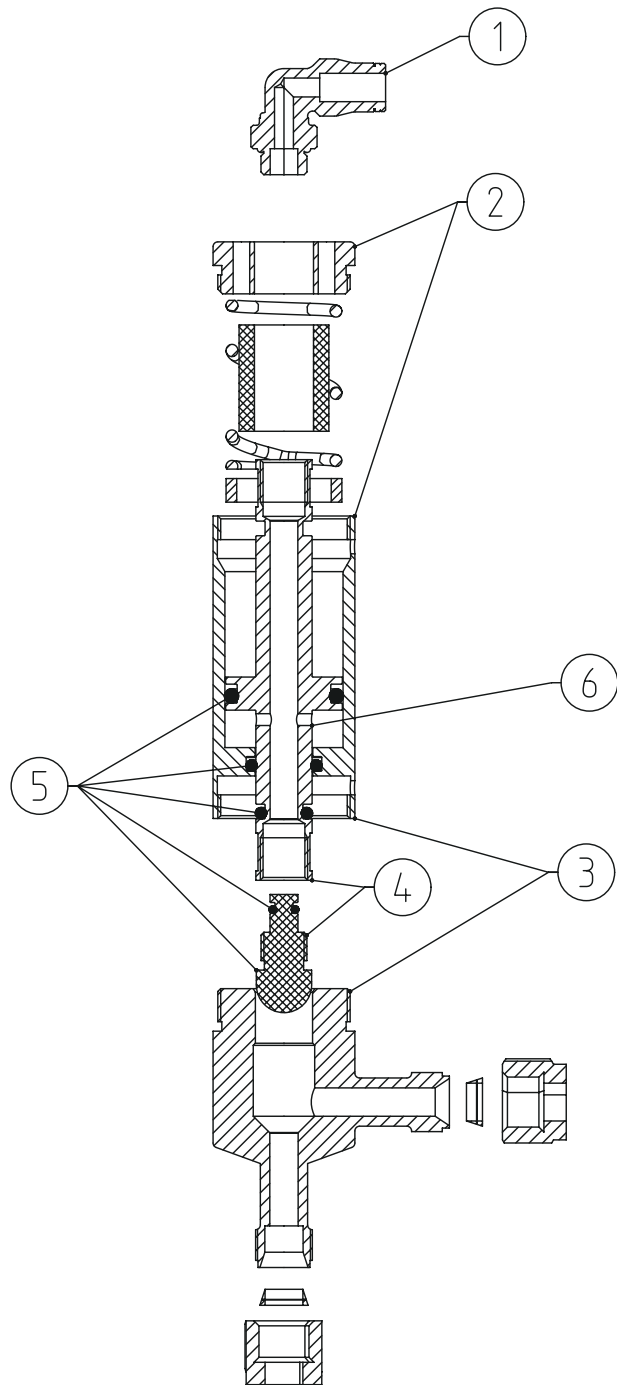
A disciplined maintenance programme is essential to minimise breakdowns and maximise equipment life.

It is important that the valve is inspected regularly.

Gaskets and O-rings to be replaced approx. every 2-3 years.

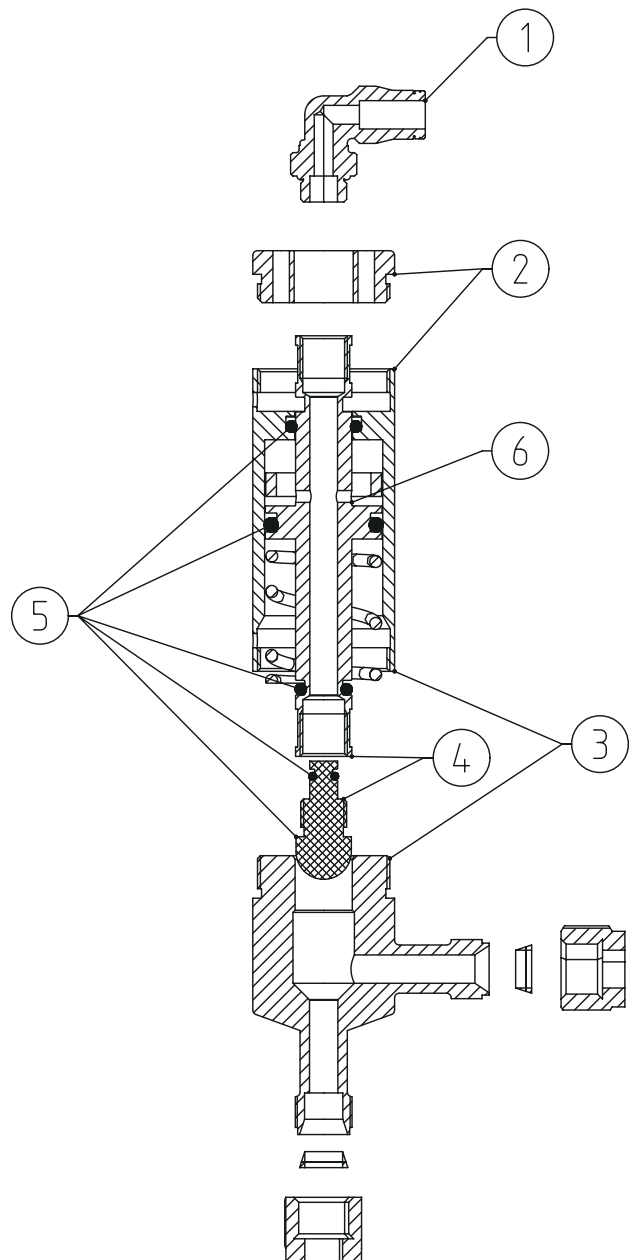
**Angle valve - normally closed**

1. Unscrew the air fitting (pos. 1)
2. Unscrew cylinder cover (pos. 2)
3. Unscrew valve head (pos. 3)
4. Unscrew valve tip (pos. 4)
5. Replace O-rings and valve tip (pos. 5)
6. **Make sure the vent hole in the piston is positioned as in the illustration (pos. 6)**



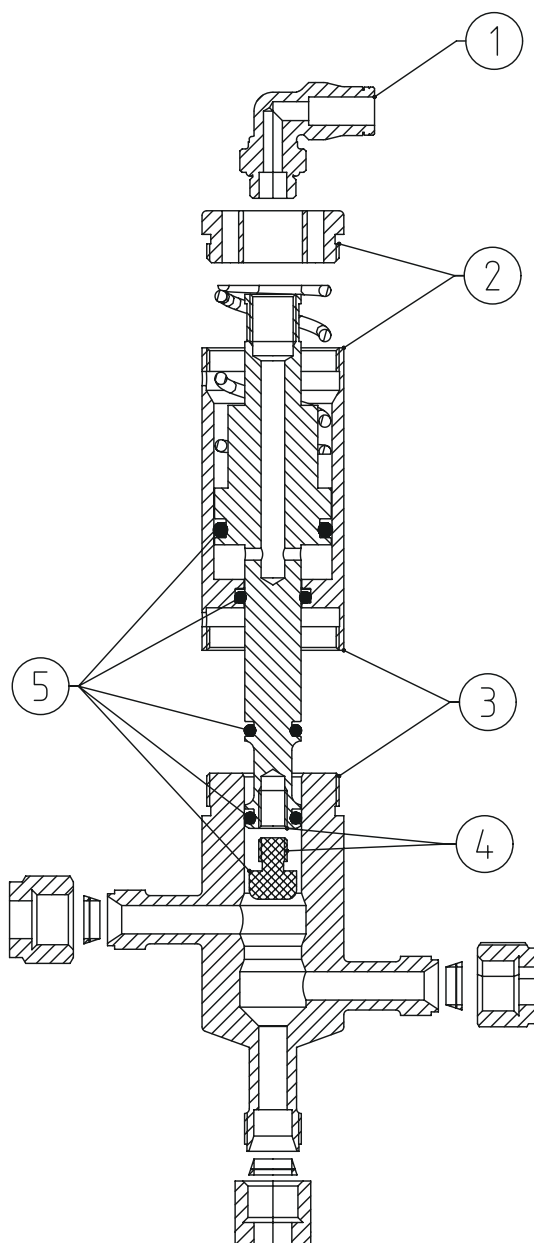
**Angle valve - normally open**

1. Unscrew the air fitting (pos. 1)
2. Unscrew cylinder cover (pos. 2)
3. Unscrew valve head (pos. 3)
4. Unscrew valve tip (pos. 4)
5. Replace O-rings and valve tip (pos. 5)
6. **Make sure the vent hole in the piston is positioned as in the illustration (pos. 6)**



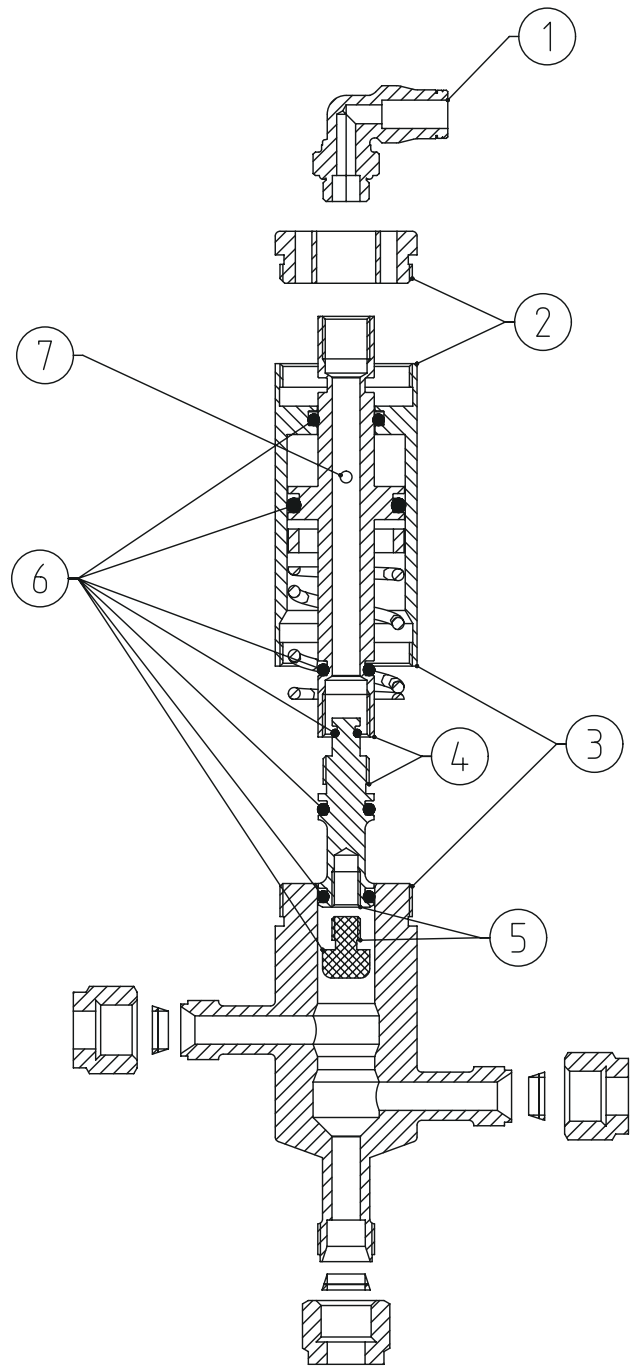
**Change-over valve - normally closed**

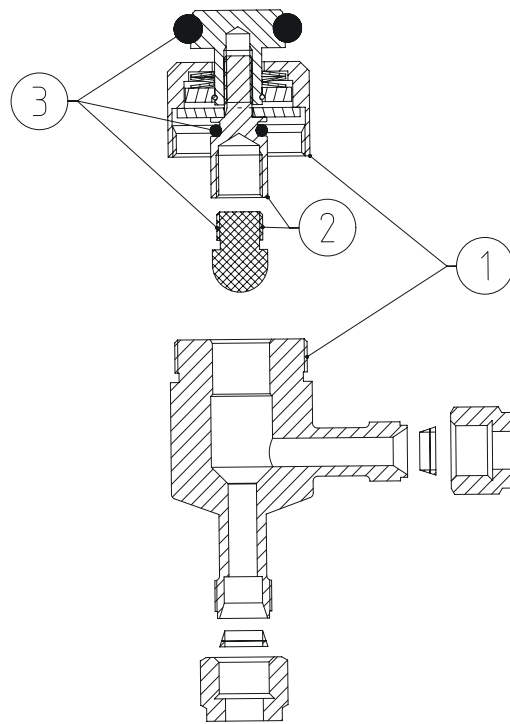
1. Unscrew the air fitting (pos. 1)
2. Unscrew cylinder cover (pos. 2)
3. Unscrew valve head (pos. 3)
4. Unscrew valve tip (pos. 4)
5. Replace O-rings and valve tip (pos. 5)



**Change-over valve - normally open**

1. Unscrew the air fitting (pos. 1)
2. Unscrew cylinder cover (pos. 2)
3. Unscrew valve head (pos. 3)
4. Unscrew stem (pos. 4)
5. Unscrew valve tip (pos. 5)
6. Replace O-rings and valve tip (pos. 6)
7. **Make sure the vent hole in the piston is positioned as in the illustration (pos. 7)**





**Manual valve**

1. Unscrew valve head (pos. 1)
2. Unscrew valve tip (pos. 2)
3. Replace O-rings and valve tip (pos. 3)



## 7 Technical Data

### NOTE

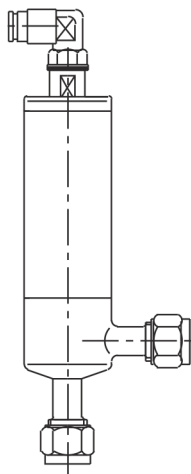
Technical data must be observed during installation, operation and maintenance.  
All personnel should be informed about the technical data.

### 7.1 Technical data

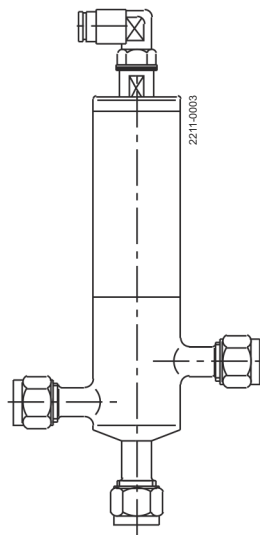
| Pressure               |                                |
|------------------------|--------------------------------|
| Max. product pressure: | 6 bar / 87 psi                 |
| Air supply pressure:   | 6 - 8 bar / 87 - 116 psi       |
| Valve data             |                                |
| Nominal size           | 6 mm                           |
| Noise                  | 70 dB(A)                       |
| Temperature range      | 1 °C - 100 °C / 33 °F - 212 °F |
| Pipe connection        | O.D 8x1 mm                     |
| Fluids                 | Liquid and gas                 |
| Weight                 | 0.5 kg                         |

### 7.2 Physical data

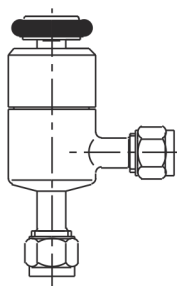
| Materials                      |                            |
|--------------------------------|----------------------------|
| Product wetted steel parts:    | EN 1.4404 (AISI 316L)      |
| Product wetted steel surfaces: | Surface roughness Ra<1.6µm |
| Product wetted seals:          | EPDM                       |
| Product wetted polymers:       | PTFE                       |



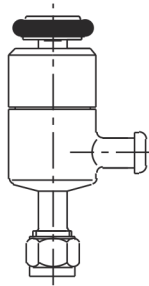
Pneumatic angle valve



Pneumatic 2-way valve



Drain valve with fittings



Drain valve with fittings/clip-on

---

## 8 Spare Parts

For every delivered Alfa Laval Product, a spare part list is available.

This spare part list contains a range of the most common wear parts for the machinery. If any component not mentioned is required, please contact your local Alfa Laval representative for availability.

You can find our spare part catalogue at <https://hygienicfluidhandling-catalogue.alfalaval.com>.

**Always** use Alfa Laval genuine spare parts. The warranty of Alfa Laval products is dependent on use of Alfa Laval genuine spare parts.

### 8.1 Ordering Spare Parts

When ordering spare parts, please always state:

1. Serial number (if available)
2. Item number/spare part number (if available)
3. Capacity or other relevant identification

### 8.2 Alfa Laval Service

Alfa Laval is represented in all larger countries of the world.

Do not hesitate to contact your local Alfa Laval representative, with any questions or requirement of spare parts for Alfa Laval equipment.

## 8.3 Warranty - Definition



The rules of Intended use are absolute. Use of the supplied Alfa Laval product is allowed only when in compliance with the technical data supplied with the Intended use.

Differing utilisation, other than agreed with Alfa Laval Kolding A/S, exclude any liability and warranty.

No modification or alteration of the supplied Alfa Laval product is allowed, unless explicit permission is granted by Alfa Laval Kolding A/S.



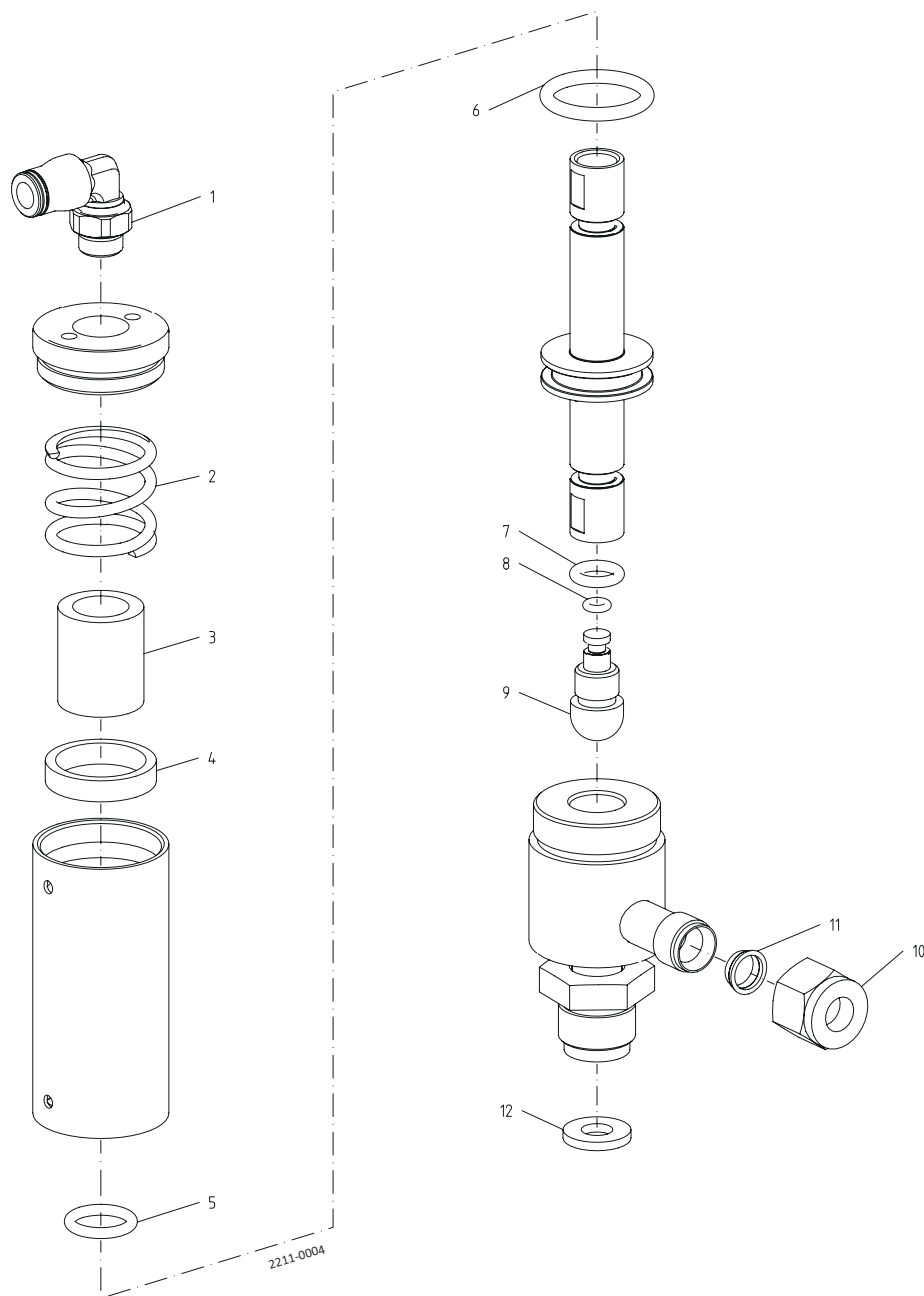
### Liability and warranty are excluded:

- If advice and instruction of operating instructions are ignored
- For incorrect operation or for insufficient maintenance of the supplied Alfa Laval product
- For any kind of change of function of the supplied Alfa Laval product without prior written agreement by Alfa Laval Kolding A/S
- If supplied Alfa Laval product is modified by non-authorized persons
- If using the supplied Alfa Laval product without attention of appropriate safety regulations, (see [Safety](#) on page 7)
- If protection equipment is not used and vessel process / ancillary equipment is not brought to a standstill
- If the supplied Alfa Laval product and ancillary parts are not properly maintained (to be executed in intervals and including fitting of prescribed replacement parts)

When exchanging parts, only original replacement parts, released from the manufacturer, must be used.

## 9 Parts Lists and Exploded Views

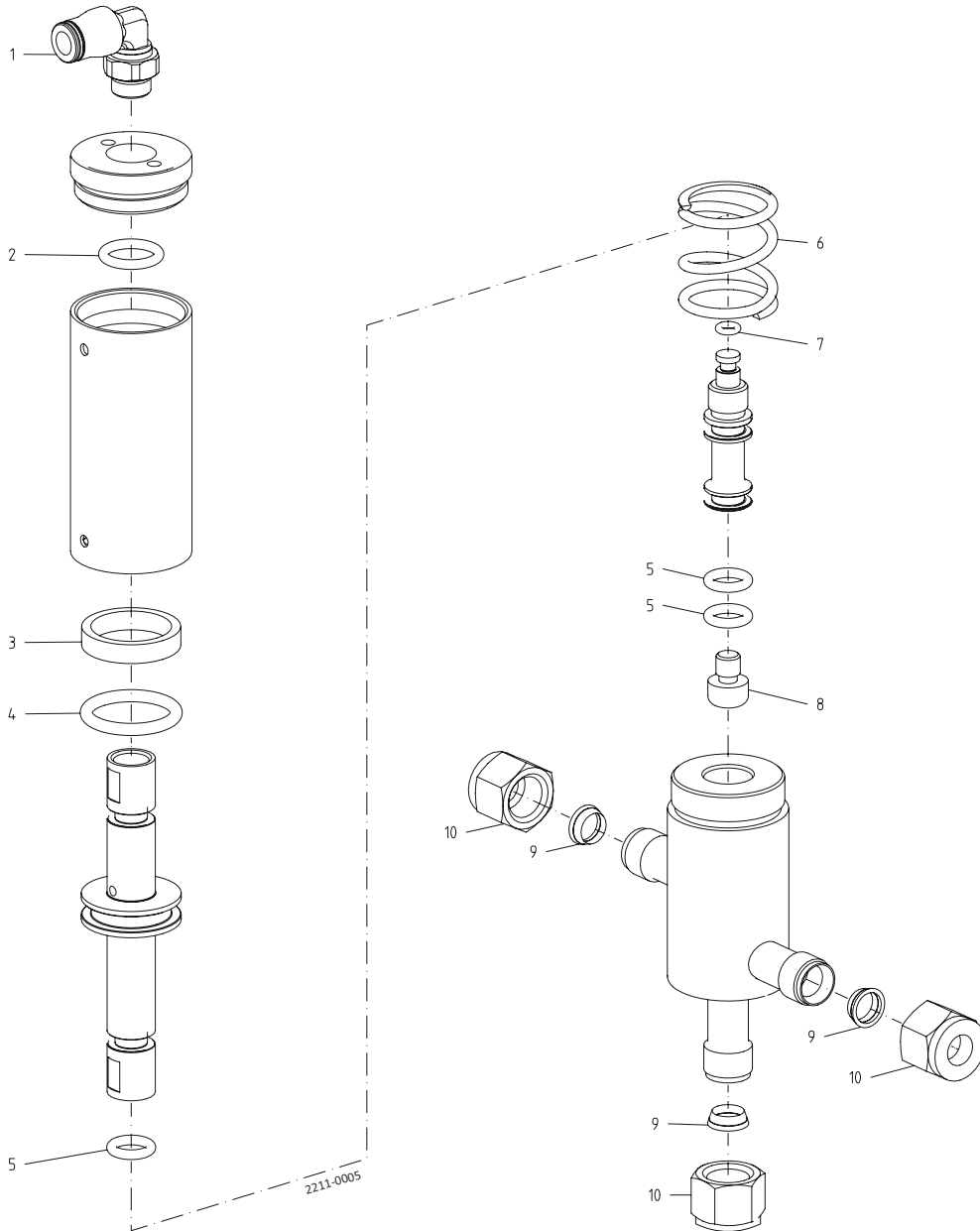
### 9.1 Mini Flow Valve, pneumatic angle valve



| Pos. | Qty. | Denomination     |
|------|------|------------------|
| 1    | 1    | Air fitting      |
| 2    | 1    | Spring           |
| 3    | 1    | Distance bushing |
| 4    | 1    | Distance bushing |
| 5    | 1    | O-ring, NBR      |
| 6    | 1    | O-ring, NBR      |

| Pos. | Qty. | Denomination |
|------|------|--------------|
| 7    | 1    | O-ring, EPDM |
| 8    | 1    | O-ring, NBR  |
| 9    | 1    | Tip, PTFE    |
| 10   | 1    | Nut          |
| 11   | 1    | Ferrule set  |
| 12   | 1    | Gasket       |

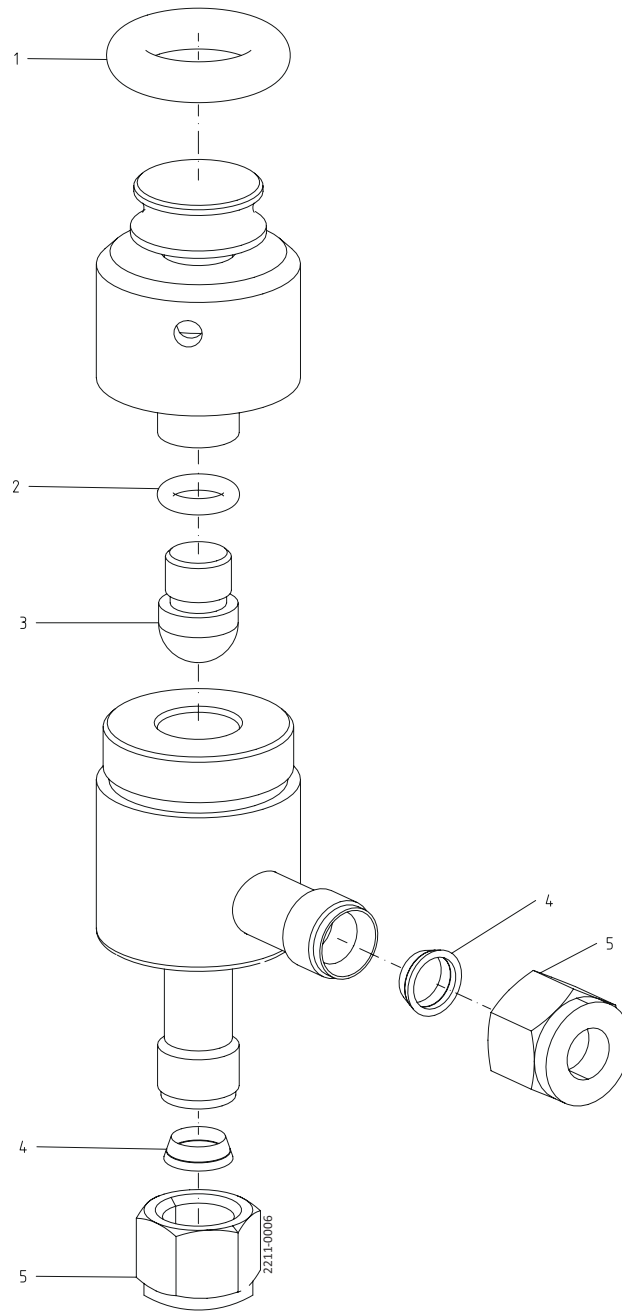
## 9.2 Mini Flow Valve, pneumatic change-over valve



| Pos. | Qty. | Denomination     |
|------|------|------------------|
| 1    | 1    | Air fitting      |
| 2    | 1    | O-ring, NBR      |
| 3    | 1    | Distance bushing |
| 4    | 1    | O-ring, NBR      |
| 5    | 3    | O-ring, EPDM     |

| Pos. | Qty. | Denomination |
|------|------|--------------|
| 6    | 1    | Spring       |
| 7    | 1    | O-ring, NBR  |
| 8    | 1    | Tip, PTFE    |
| 9    | 3    | Ferrule set  |
| 10   | 3    | Nut          |

### 9.3 Mini Flow Valve, manual valve



| Pos. | Qty. | Denomination |
|------|------|--------------|
| 1    | 1    | O-ring, NBR  |
| 2    | 1    | O-ring, EPDM |
| 3    | 1    | Tip, PTFE    |

| Pos. | Qty. | Denomination |
|------|------|--------------|
| 4    | 2    | Nut          |
| 5    | 2    | Ferrule set  |