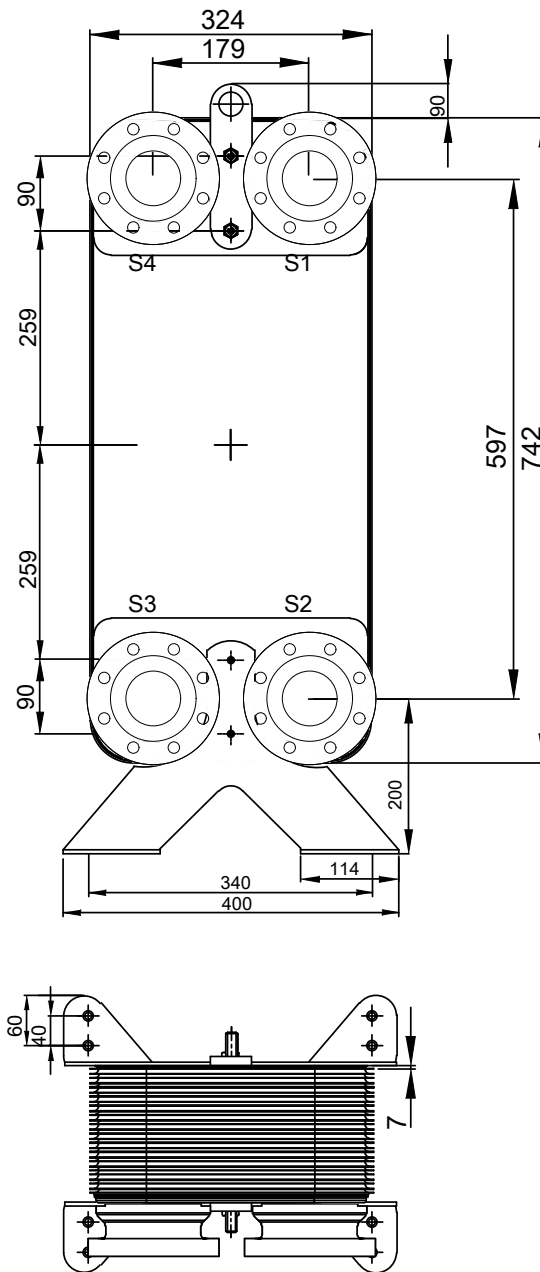
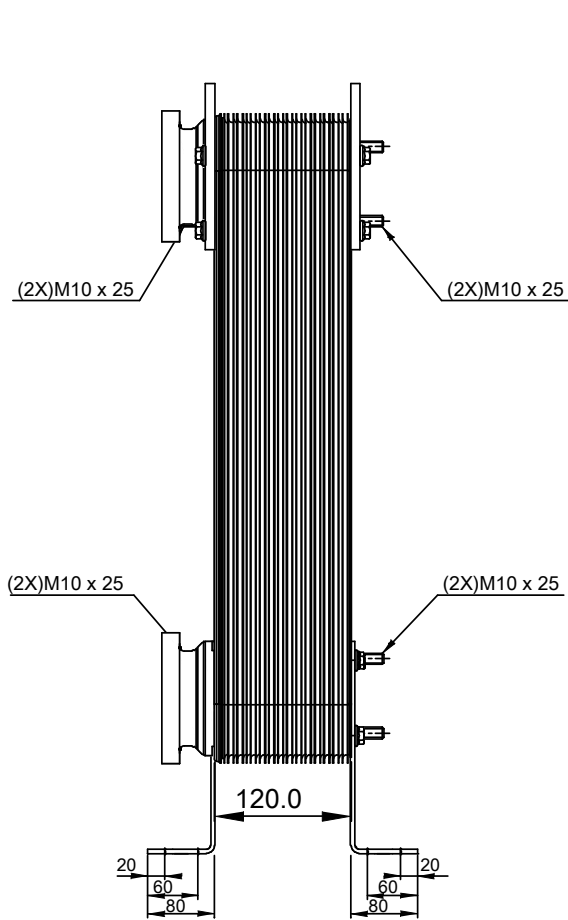
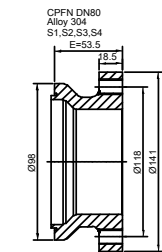


Note that all unique customer requirements (i.e tolerance) need to be verified thru Alfa Laval.



HEATING SURFACE
 NETWEIGHT 52.1 kg
 OPERATING WEIGHT kg
 PLATE MATERIAL ALLOY 316
 PLATE GROUPING 1*24L/1*25L

T1 T2 T3 T4 locations on back side correspond to S1 S2 S3 S4 on front side

ALL DIMENSIONS IN MILLIMETERS

| SIDE | MEDIA | INLET | TEMP. | OUTLET | TEMP. | FLOW RATE | PRESSURE DROP | LIQUID VOL. |
|------|-------|-------|-------|--------|-------|-----------|---------------|----------------------|
| 1 | | S1 | | S2 | | | | 12.6 dm ³ |
| 2 | | S3 | | S4 | | | | 12.1 dm ³ |

PRESSURE VESSEL APPROVAL

PED/UK



CB210-50L-F (3075034071)

www.alfalaval.com

CUSTOMER NAME / REF. NO.

TOTAL LENGTH 280.0 mm
 TOTAL WIDTH 324.0 mm
 TOTAL HEIGHT 959.0 mm

COMPANY / REF.



4/16/2024
 REV 0