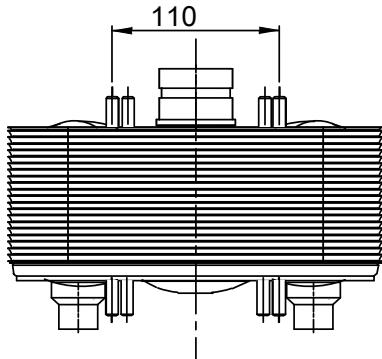
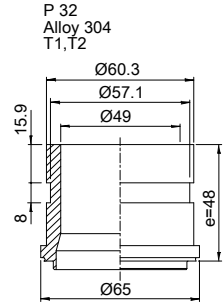
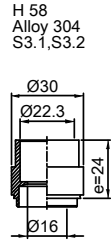
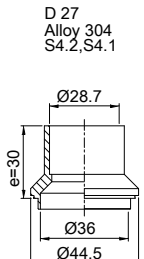
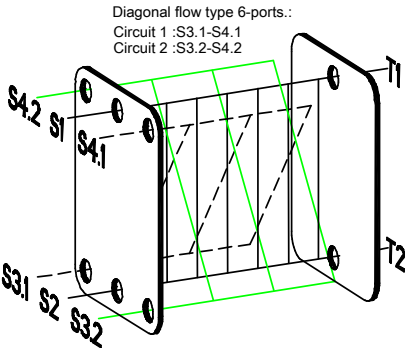
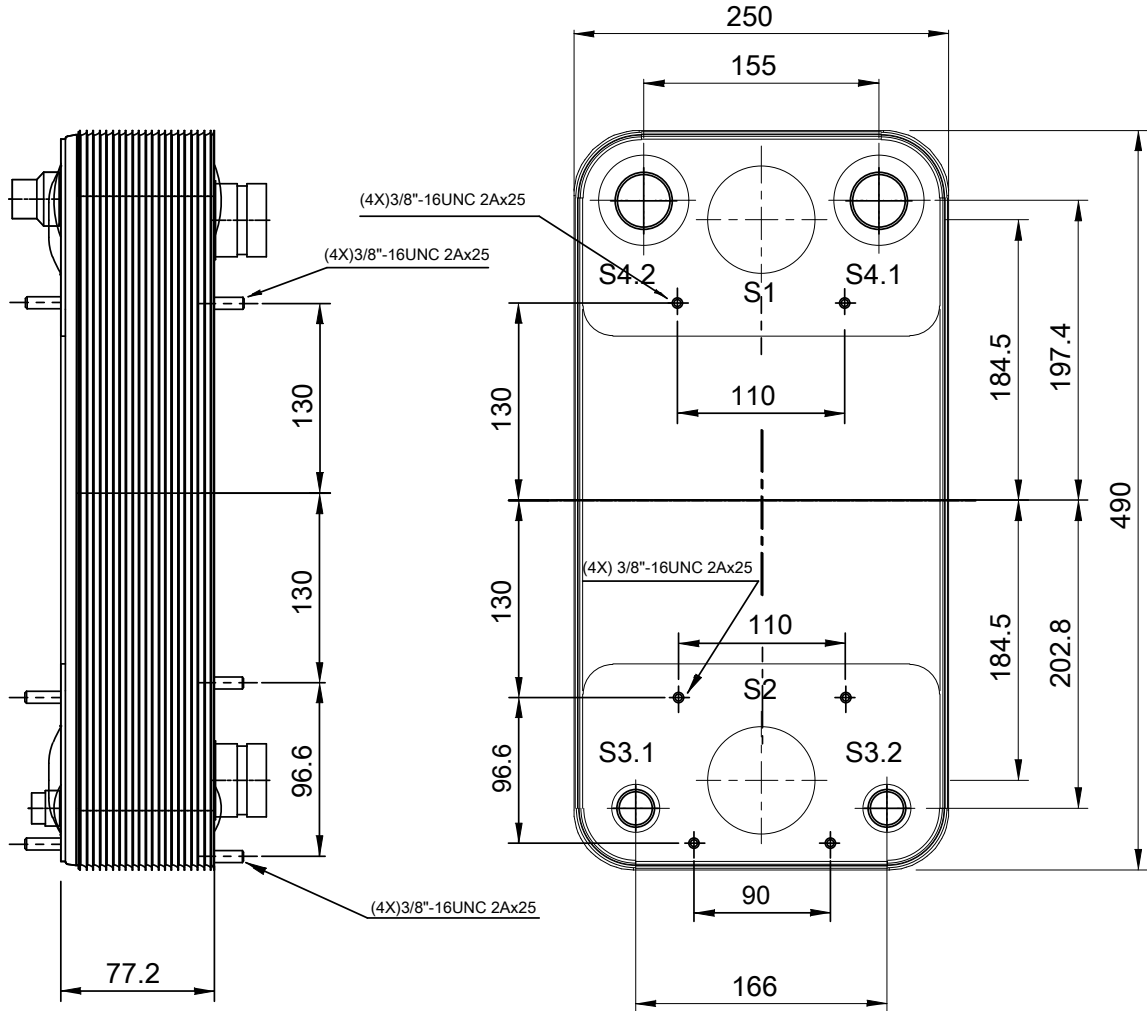


T1 T2 T3.1 T3.2 T4.1 T4.2 locations on back side correspond to S1 S2 S3.1 S3.2 S4.1 S4.2 on front side

Note that all unique customer requirements (i.e tolerance) need to be verified thru Alfa Laval.



HEATING SURFACE
NETWEIGHT 17.2 kg
OPERATING WEIGHT kg
PLATE MATERIAL ALLOY 316
PLATE GROUPING 1*7HR|1*7HR/1*15HB

ALL DIMENSIONS IN MILLIMETERS

SIDE	MEDIA	INLET	TEMP.	OUTLET	TEMP.	FLOW RATE	PRESSURE DROP	LIQUID VOL.
1		S4.2,T2		S3.2,T1				2.34 dm ³
2		S4.1		S3.1				1.40/1.40 dm ³

PRESSURE VESSEL APPROVAL UL/CRN

ACH-230DQ-30H-F (3287084565)

www.alfalaval.com

CUSTOMER NAME / REF. NO.

COMPANY / REF.

TOTAL LENGTH 151.2 mm
TOTAL WIDTH 250.0 mm
TOTAL HEIGHT 490.0 mm

1/15/2024
REV 0