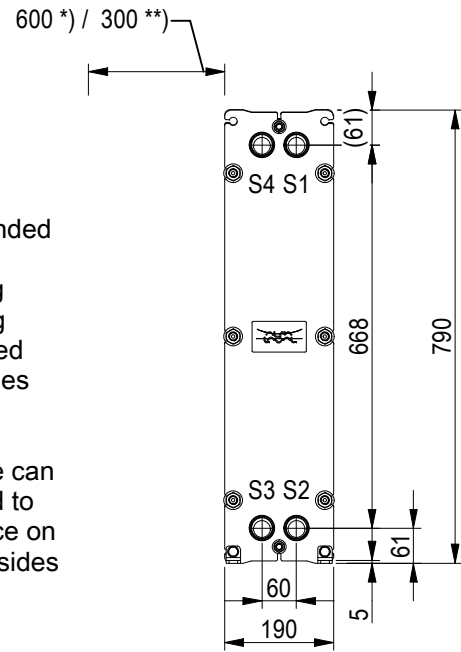


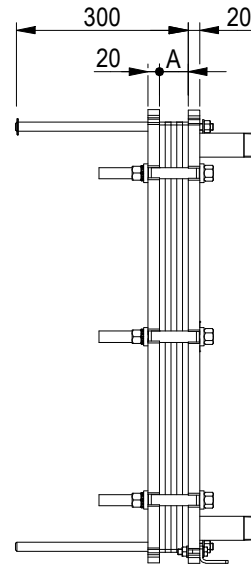
### FRAME PLATE

\*) Recommended free space for opening and closing to be applied on both sides

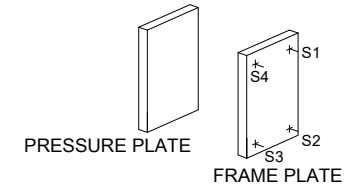
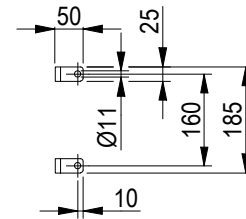
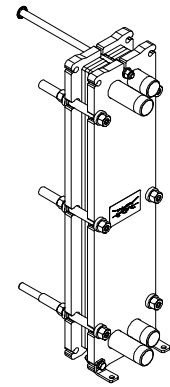
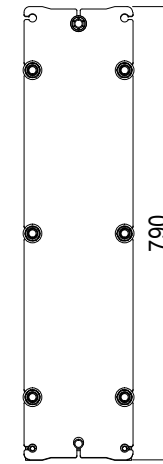
\*\*) Free space can be reduced to this distance on one of the sides



Space between pressure plate and supporting column should be kept free from fixed installations!



### PRESSURE PLATE (MOVABLE)

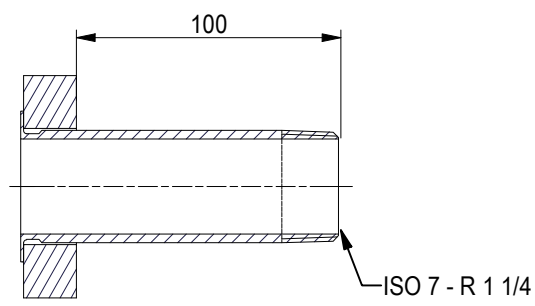
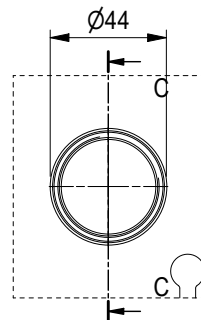
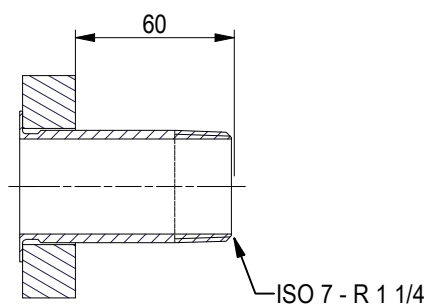
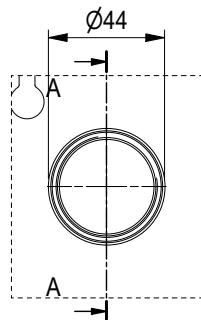


ISO 7 - R 1 1/4, ALLOY 316, 80 mm  
S1, S2

A-A:

ISO 7 - R 1 1/4, ALLOY 316, 120 mm  
S3, S4

C-C:



All dimensions in millimeters (mm)

NO. OF UNITS

1

| APPROX. OUTER DIMENSIONS |              |
|--------------------------|--------------|
| LENGTH                   | 310 mm       |
| WIDTH                    | 200 mm       |
| HEIGHT                   | 800 mm       |
| APPROX. WEIGHTS          |              |
| NET WEIGHT, EMPTY        | 49.8 kg      |
| WEIGHT FULL OF WATER     | 54.8 kg      |
| PLATE MATERIAL           | ALLOY 316    |
| PLATE THICKNESS          | 0.5 mm       |
| GASKET                   | NBRP Clip-on |

CHANNEL ARRANGEMENT 1\*19 H / 1\*20 H

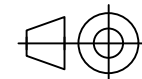


www.alfalaval.com

DRAWING  
GASKETED PLATE HEAT EXCHANGER

# TL3-BFG

PED Article 4.3



8240123441

Do not use this drawing for foundation bolting or piping layout

|          |         |
|----------|---------|
| DATE     | 2/25/22 |
| REVISION | 0       |