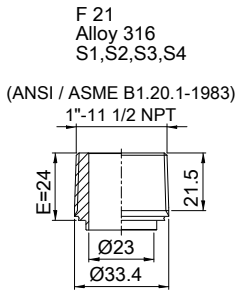
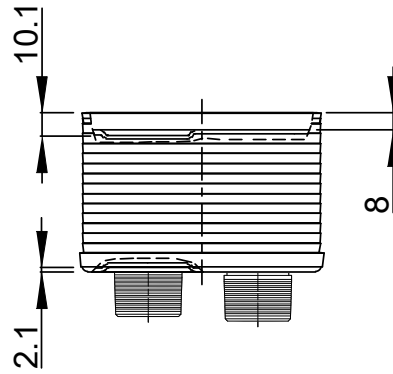
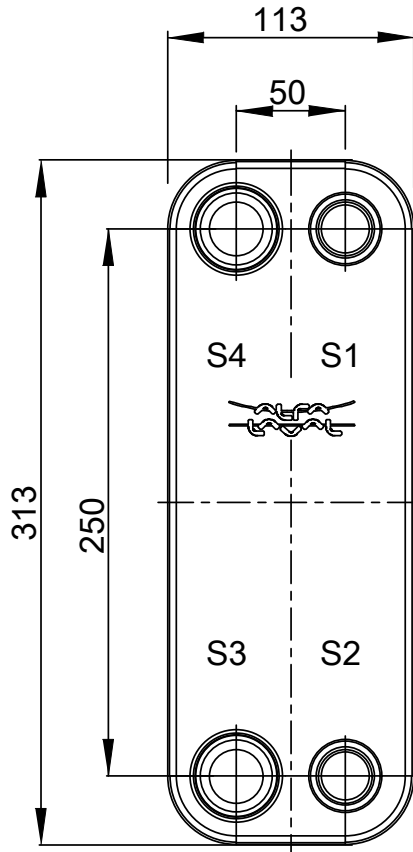
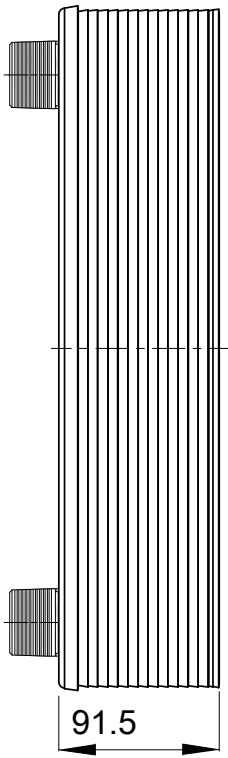


Note that all unique customer requirements (i.e tolerance) need to be verified thru Alfa Laval.



F 21
 Alloy 316
 S1,S2,S3,S4



HEATING SURFACE
 NETWEIGHT 5.3 kg
 OPERATING WEIGHT kg
 PLATE MATERIAL ALLOY 316
 PLATE GROUPING 1*16L/1*17L

T1 T2 T3 T4 locations on back side
 correspond to S1 S2 S3 S4 on front side

ALL DIMENSIONS IN MILLIMETERS

SIDE	MEDIA	INLET	TEMP.	OUTLET	TEMP.	FLOW RATE	PRESSURE DROP	LIQUID VOL.
1		S1		S2				0.92 dm ³
2		S3		S4				0.86 dm ³

PRESSURE VESSEL APPROVAL

UL/CRN

CB30-34L (3287138993)

www.alfalaval.com

CUSTOMER NAME / REF. NO.

TOTAL LENGTH 115.5 mm
 TOTAL WIDTH 113.0 mm
 TOTAL HEIGHT 313.0 mm

COMPANY / REF.

4/16/2024
 REV 0