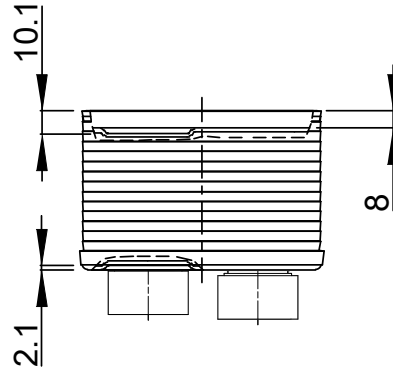
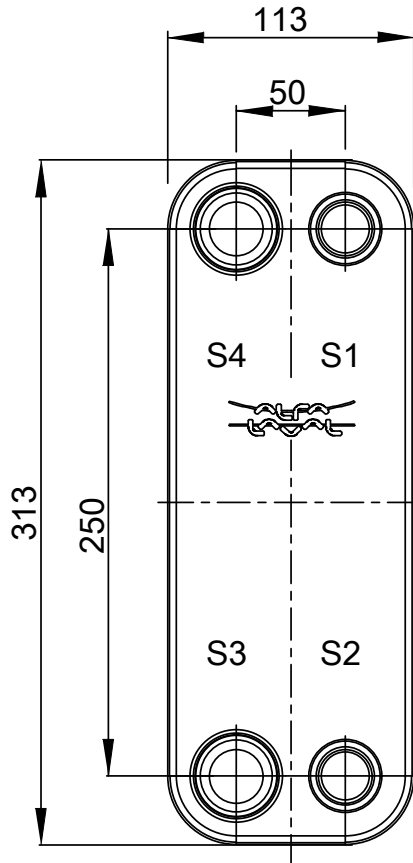
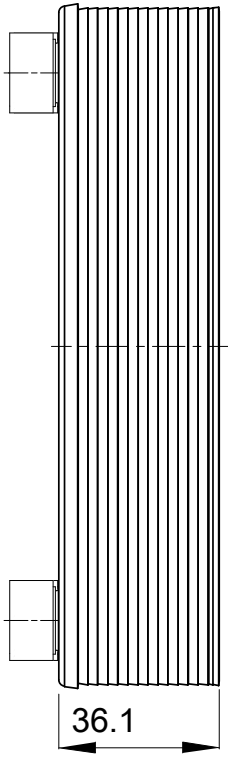
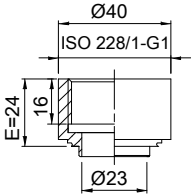


Note that all unique customer requirements (i.e tolerance) need to be verified thru Alfa Laval.

C 21
Alloy 316
S1,S2,S3,S4



HEATING SURFACE
NETWEIGHT 2.7 kg
OPERATING WEIGHT kg
PLATE MATERIAL ALLOY 316
PLATE GROUPING 1*4H/1*5H

T1 T2 T3 T4 locations on back side correspond to S1 S2 S3 S4 on front side

ALL DIMENSIONS IN MILLIMETERS

SIDE	MEDIA	INLET	TEMP.	OUTLET	TEMP.	FLOW RATE	PRESSURE DROP	LIQUID VOL.
1		S1		S2				0.27 dm³
2		S3		S4				0.22 dm³



PRESSURE VESSEL APPROVAL

PED

CB30-10H (3287117399)

www.alfalaval.com

CUSTOMER NAME / REF. NO.

COMPANY / REF.

TOTAL LENGTH 60.1 mm
TOTAL WIDTH 113.0 mm
TOTAL HEIGHT 313.0 mm

4/16/2024
REV 0