

Alfa Laval D10 and D11 Plug Valves

Shutter valves

Introduction

The Alfa Laval D10 and D11 Plug Valves are stainless steel valves with bonded-rubber or stainless steel plugs that open to allow the flow of process media and shut to stop the flow. Reliable and effective, these plug valves provide tight shutoff performance.

Application

The two-way D10 and three-way D11 plug valves are designed for use in hygienic applications that require minimum pressure drop. They are ideal for use across the dairy, food, beverage, home-personal care, chemical and many other industries.

Benefits

- Reliable and easy to operate
- Tight shutoff performance
- Low maintenance

Standard design

The Alfa Laval D10 and D11 Plug Valves consist of a valve body constructed from homogeneous, drop-forged AISI 304 stainless steel and a rubber-coated plug. The D10 is a two-way plug valve and the D11 is a three-way plug valve. The surface finish is $Ra \leq 32$.

Available in four sizes, the plug valves may be supplied with weld, bevel seat or Tri-Clamp® connections. An optional chrome-plated and lapped metal plug is available.

Special D10 models, the D10F tank outlet valve and the D10FL legal tank pasteurization valve, are available.



TECHNICAL DATA

Temperature	
Maximum temperature:	100° F
Minimum temperature:	-4° F

Pressure	
Maximum working pressure (68° F):	25 PSI
Maximum test pressure (68° F):	25 PSI

PHYSICAL DATA

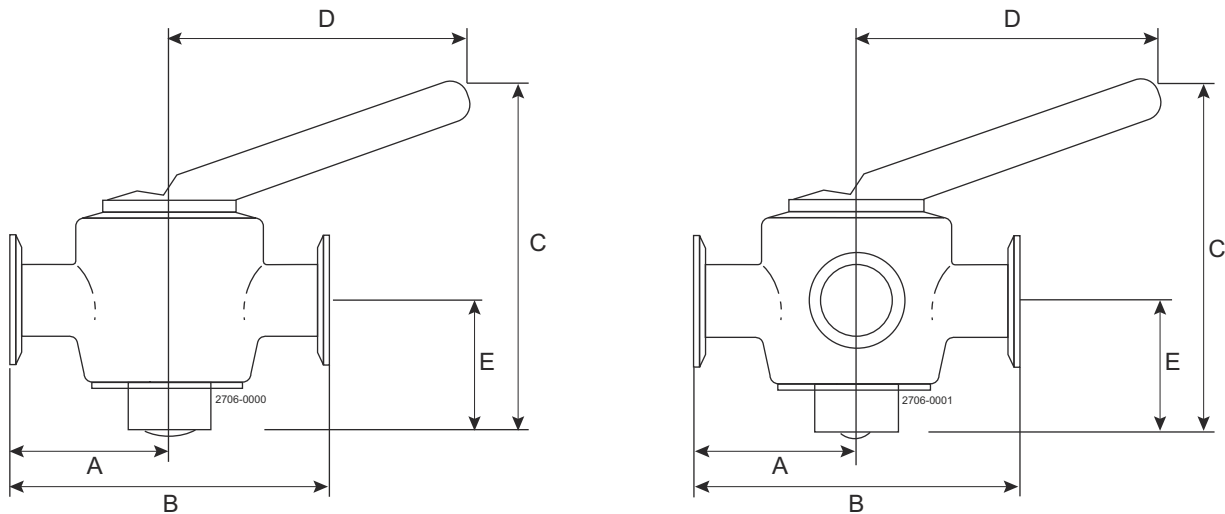
Materials	
Steel parts:	AISI 304
Finish:	≤ Ra 32 μin
Rubber parts:	Buna (N)

Ordering

Please state the following when ordering:

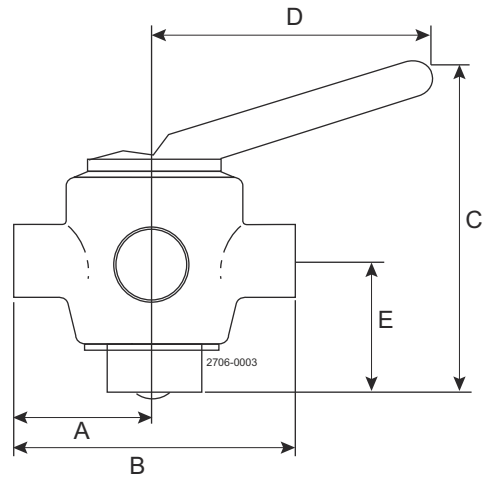
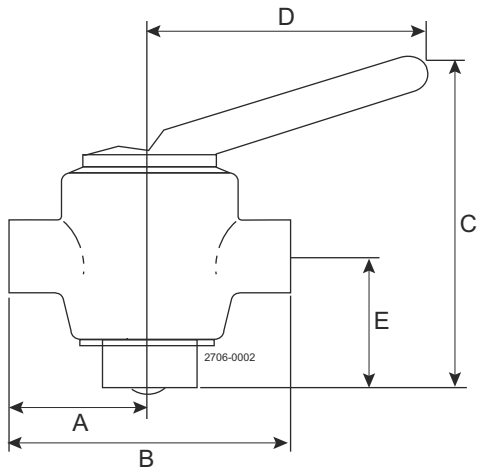
- Connections
Tri-Clamp®, Bevel Seat, weld
- Type
Straight-through valve D10, three-way valve D11, tank outlet valve D10F and D10FL legal tank pasteurization valve
- Plug
Bonded rubber (Buna) or stainless steel. D10FL only available with stainless steel plug
- Size
Following sizes are available: 1-inch, 1.5-inch, 2-inch, 2.5-inch, 3-inch

Dimensions (inch)



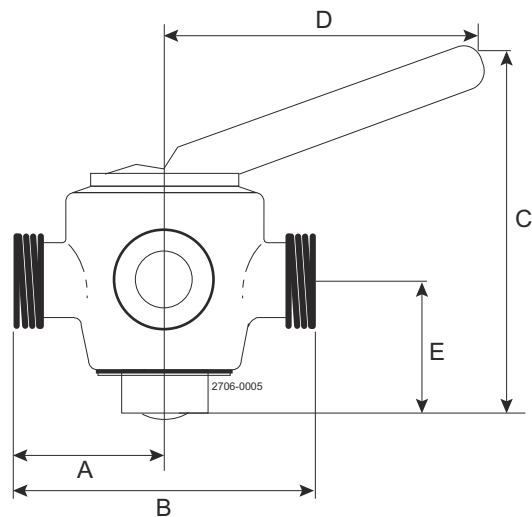
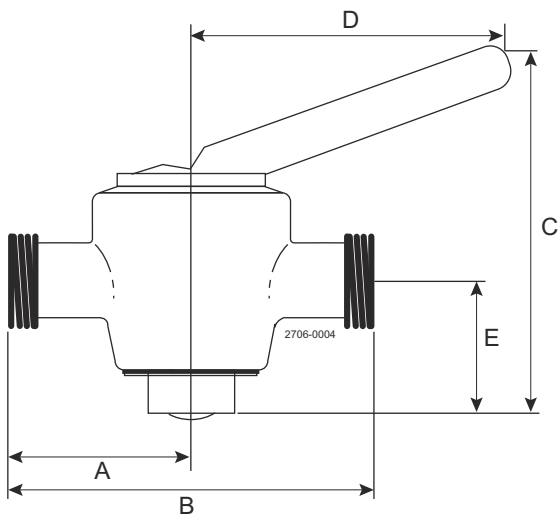
Dimensions Tri-Clamp® connections

Size (Tube OD)		A		B		C		D		E		Approx. Wt.	
inch	mm	inch	mm	inch	mm	inch	mm	inch	mm	inch	mm	lb	kg
1½	38.1	22 ⁹ / ₃₂	73.8	5 ¹³ / ₁₆	147.6	7	177.8	5 ⁵ / ₈	142.9	2½	63.5	9.50	4.30
2	50.8	31 ³ / ₃₂	86.5	6 ¹³ / ₁₆	173.0	7 ⁵ / ₈	193.7	5 ⁵ / ₈	142.9	2 ⁷ / ₈	73.0	15.50	7.03
2½	63.5	4 ¹ / ₈	104.8	8¼	209.6	8¾	222.3	6¼	158.8	3½	88.9	25.50	11.56
3	76.2	42 ³ / ₃₂	119.9	9 ⁷ / ₁₆	239.7	9¾	247.7	7¼	184.2	3¾	95.3	36.00	16.32



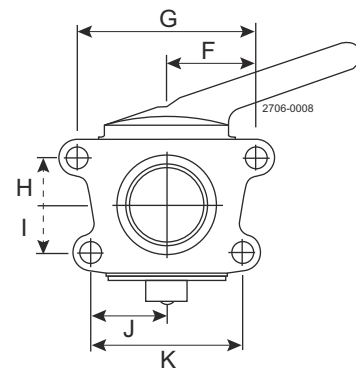
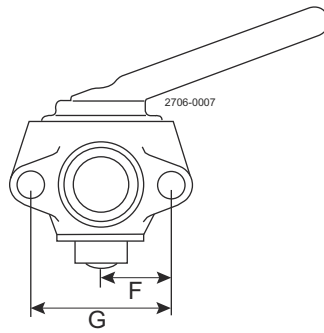
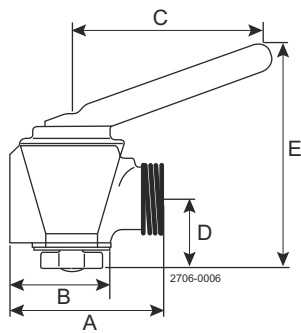
Dimensions Weld connections

Size (Tube OD)		A		B		C		D		E		Approx. Wt.	
inch	mm	inch	mm	inch	mm	inch	mm	inch	mm	inch	mm	lb	kg
1½	38.1	2 ²³ / ₃₂	69.1	5 ⁷ / ₁₆	138.1	6 ⁷ / ₈	177.8	5 ⁵ / ₈	142.9	2½	63.5	9.50	4.30
2	50.8	3 ³ / ₁₆	81.0	6 ³ / ₈	161.9	7 ⁵ / ₈	193.7	5 ⁵ / ₈	142.9	2 ⁷ / ₈	73.0	15.50	7.03
2½	63.5	4 ⁷ / ₈	123.8	7¾	196.9	8 ⁵ / ₈	222.3	6¼	158.8	3½	88.9	25.50	11.56
3	76.2	4 ¹⁵ / ₃₂	113.5	8 ¹⁵ / ₁₆	227.0	9¾	247.7	7¼	184.2	3¾	95.3	36.00	16.32



Dimensions Bevel Seat connections

Size (Tube OD)		A		B		C		D		E		Approx. Wt.	
inch	mm	inch	mm	inch	mm	inch	mm	inch	mm	inch	mm	lb	kg
1½	38.1	2 ²⁹ / ₃₂	73.8	5 ¹³ / ₁₆	147.6	6 ⁷ / ₈	174.6	5 ⁵ / ₈	142.9	2½	63.5	9.50	4.31
2	50.8	3 ¹³ / ₃₂	86.5	6 ¹³ / ₁₆	173.0	7 ⁵ / ₈	193.7	5 ⁵ / ₈	142.9	2 ⁷ / ₈	73.0	15.50	7.03
2½	63.5	4 ¹ / ₈	104.8	8¾	209.6	8 ⁵ / ₈	219.1	6¼	158.8	3½	88.9	25.50	11.56
3	76.2	4 ²³ / ₃₂	119.9	9 ⁷ / ₁₆	239.7	9¾	247.3	7¼	184.2	3¾	93.7	36.00	16.33



Dimensions (inches) Plug Valve Tank - D10F and D10FL

Size (Tube OD)	A	B	C	D	E	F	G	H	I	J	K	Hole Size	Approx. Wt.
1½	4 ⁵ / ₁₆	3 ¹ / ₈	5 ⁵ / ₈	2 ³ / ₈	6¾	1 ²³ / ₃₂	3 ⁷ / ₁₆	--	--	--	--	9/ ₁₆	9.50 4.30
2	5 ⁷ / ₁₆	4 ¹ / ₈	5 ⁵ / ₈	2¾	7½	2 ¹ / ₈	4¼	--	--	--	--	9/ ₁₆	15.50 7.03
2½	6¾	4 ⁵ / ₈	6¼	3½	8¾	2 ⁵ / ₈	5¼	1 ⁵ / ₁₆	1½	2½	5	9/ ₁₆	25.50 11.56
3	8	4¾	7¼	3¾	9¾	3 ⁵ / ₁₆	6 ⁵ / ₈	1¾	1¾	2 ¹³ / ₁₆	5 ⁵ / ₈	1 ¹ / ₁₆	36.00 16.32

Dimensions (mm) Plug Valve Tank - D10F and D10FL

Size (Tube OD)	A	B	C	D	E	F	G	H	I	J	K	Hole Size	Approx. Wt.
1½	109.5	79.4	142.9	60.3	171.5	43.7	87.3	--	--	--	--	14.3	9.5 4.30
2	138.1	104.8	142.9	69.9	190.5	54.0	108.0	--	--	--	--	14.3	15.5 7.03
2½	171.5	117.5	158.8	88.1	222.3	66.7	133.4	33.3	38.1	63.5	127.0	14.3	25.5 11.56
3	203.2	120.7	184.2	95.3	247.7	84.1	168.3	44.5	44.5	71.4	142.9	17.5	36.0 16.32

This document and its contents are subject to copyrights and other intellectual property rights owned by Alfa Laval Corporate AB. No part of this document may be copied, re-produced or transmitted in any form or by any means, or for any purpose, without Alfa Laval Corporate AB's prior express written permission. Information and services provided in this document are made as a benefit and service to the user, and no representations or warranties are made about the accuracy or suitability of this information and these services for any purpose. All rights are reserved.

How to contact Alfa Laval

Up-to-date Alfa Laval contact details for all countries are always available on our website at www.alfalaval.com