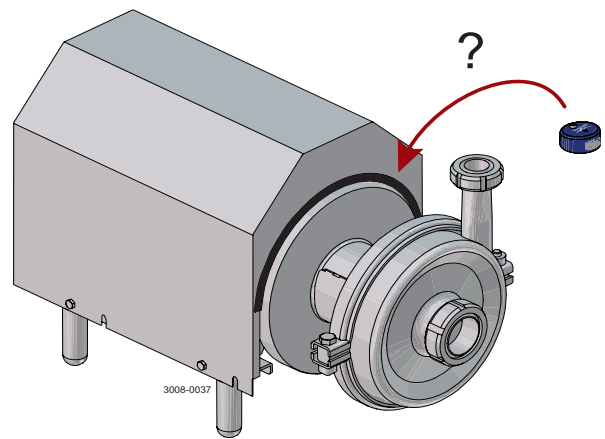


Alfa Laval CM

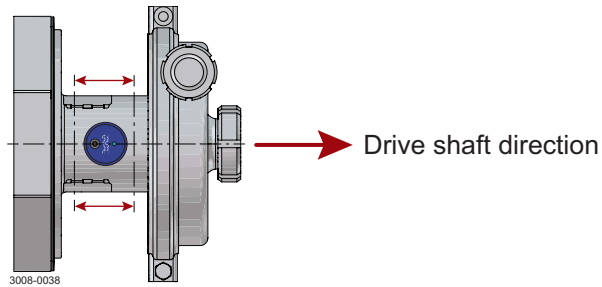
How to install Alfa Laval CM on "other" pumps

1. For pumps w/o a dedicated threadhole for CM screw or bracket, find a space between motor and pump casing.

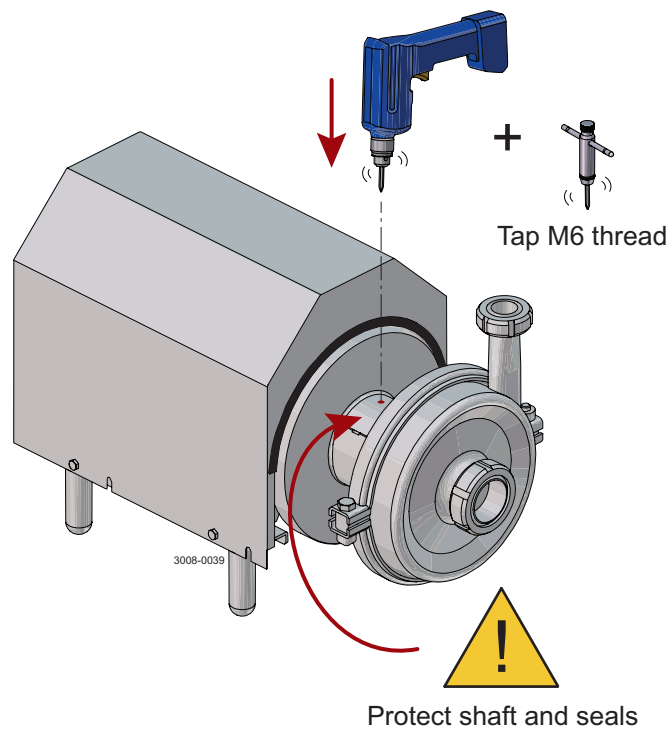
The CM should, if possible, point its LED towards the front / pump casing, in shaft direction.



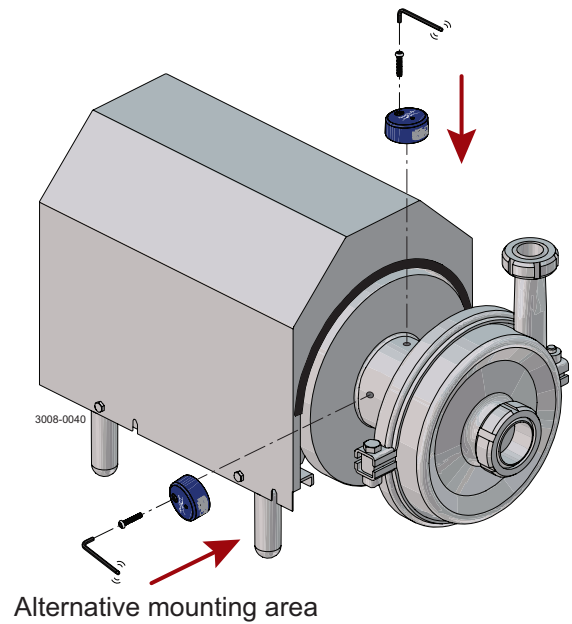
- 2.



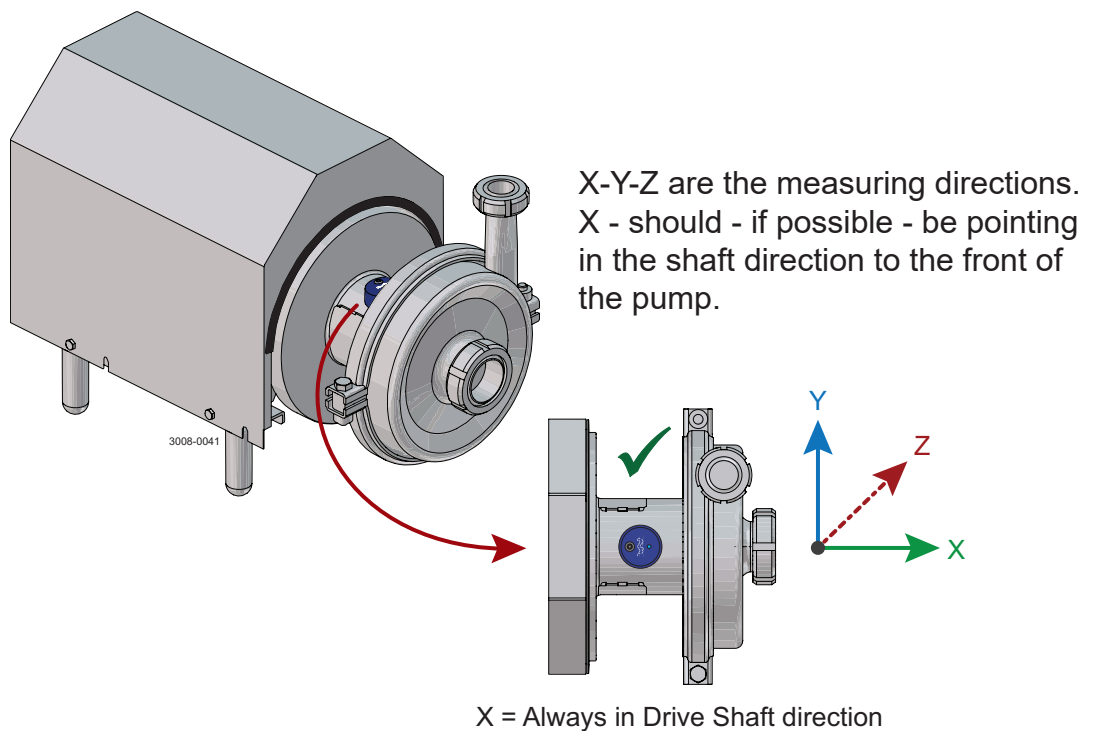
- 3.



4.
Mount the CM directly on the solid surface with the M6 screw delivered. No use of brackets.



- 5.



This document and its contents are subject to copyrights and other intellectual property rights owned by Alfa Laval Corporate AB. No part of this document may be copied, re-produced or transmitted in any form or by any means, or for any purpose, without Alfa Laval Corporate AB's prior express written permission. Information and services provided in this document are made as a benefit and service to the user, and no representations or warranties are made about the accuracy or suitability of this information and these services for any purpose. All rights are reserved.