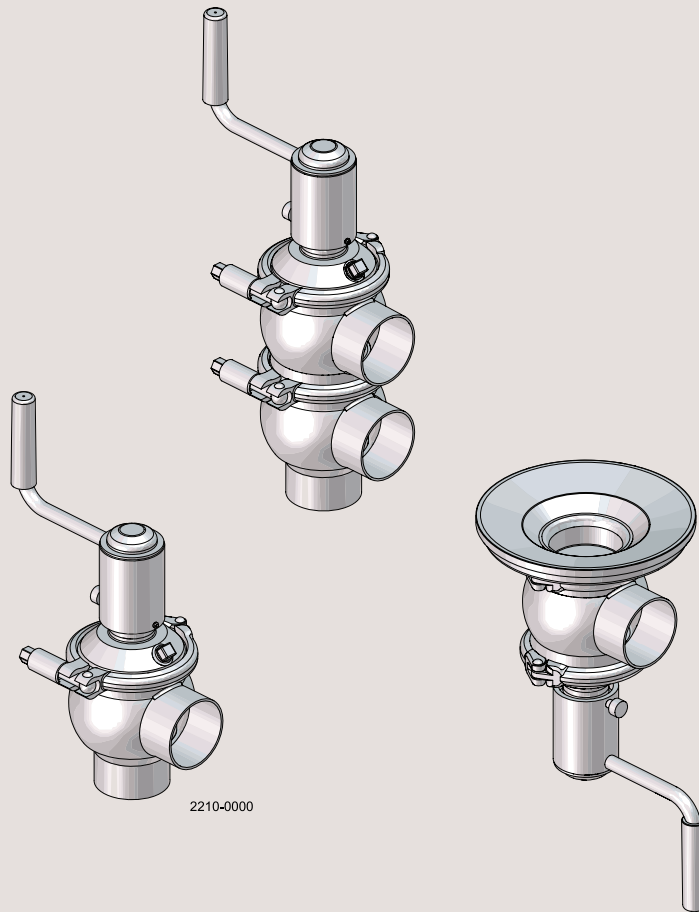




Spare Parts

Unique Single Seat Valve Aseptic - Manually Operated



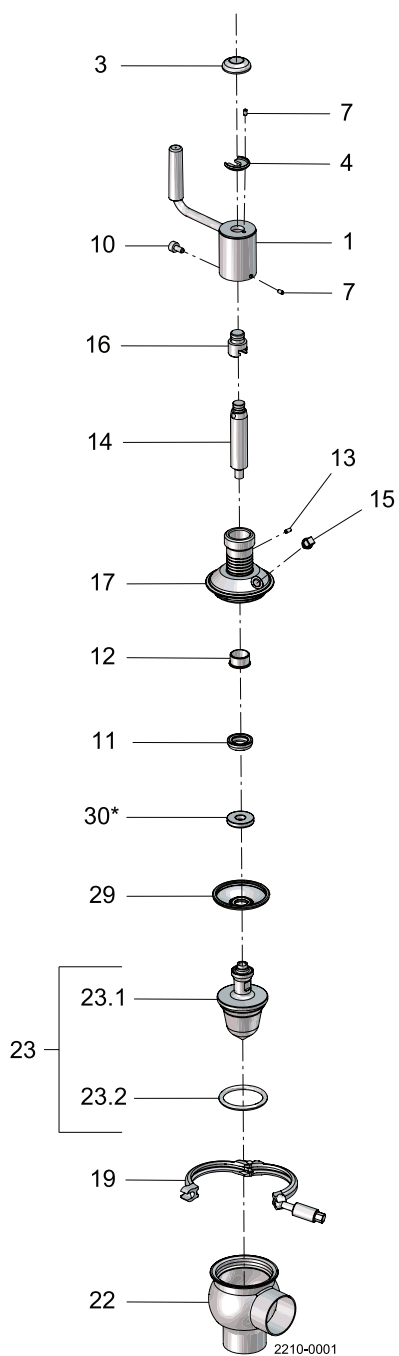
100018468/ESE02404-EN5

2024-07

Original manual

The information herein is correct at the time of issue but may be subject to change without prior notice

| | |
|---|----|
| 1. Unique SSV - Aseptic Manual Regulating Valve | 4 |
| 2. Unique SSV - Aseptic Manually Operated Shut Off Valve | 6 |
| 3. Unique SSV - Aseptic Manually Operated Change Over Valve | 10 |
| 4. Unique SSV - Aseptic Manual Tank Outlet Valve | 14 |
| 5. Unique SSV - Aseptic Manually Operated - Mounting Tools | 16 |



* = Disc not used on DN40/38 mm

Unique SSV - Aseptic Manual Regulating Valve

| Pos | Qty | Denomination | DN40 38 mm | DN50 51 mm | DN65 63.5 mm | DN80 76.1 mm | DN100 101.6 mm |
|--------------------------------|-----|--|---------------|---------------|-----------------|-----------------|-------------------|
| Actuator | | | | | | | |
| | | Crank mechanism complete | 9613182001 | 9613182002 | 9613182003 | 9613182004 | 9613182005 |
| 1 | 1 | Crank | 3135304621 | 3135304621 | 3135304621 | 3135304621 | 3135304621 |
| 3 | 1 | Cap | 3135304681 | 3135304681 | 3135304681 | 3135304681 | 3135304681 |
| 4 | 1 | Washer | 3135304671 | 3135304671 | 3135304671 | 3135304671 | 3135304671 |
| 7 | 2 | Set screw | 22158192 | 22158192 | 22158192 | 22158192 | 22158192 |
| 10 | 1 | Lock screw | 3135305291 | 3135305291 | 3135305291 | 3135305291 | 3135305291 |
| 11 | 1 | Lip seal, HNBR | 9613120502 | 9613120502 | 9613120502 | 9613120502 | 9613120502 |
| 12 | 1 | Bushing | 9613125002 | 9613125002 | 9613125002 | 9613125002 | 9613125002 |
| 13 | 1 | Spring pin | 9611992969 | 9611992969 | 9611992969 | 9611992969 | 9611992969 |
| 14 | 1 | Upper spindle | 9613181801 | 9613181801 | 9613181801 | 9613181801 | 9613181801 |
| 15 | 1 | Air Fitting | 9611991988 | 9611991988 | 9611991988 | 9611991988 | 9611991988 |
| 16 | 1 | Stem extension | 9613121801 | 9613121801 | 9613121801 | 9613121801 | 9613121801 |
| 17 | 1 | Sealing element | 9613181301 | 9613181401 | 9613181501 | 9613181601 | 9613181701 |
| Clamp | | | | | | | |
| 19 | 1 | Clamp | 9612939303 | 9612939304 | 9612939305 | 9612939306 | 9612939307 |
| 29 | ♦ | Diaphragm | | | | | |
| | | Diaphragm set, (10 pcs.) | 9614059437 | 9614059438 | 9614059439 | 9614059440 | 9614059441 |
| 30 | 1 | Disc for diaphragm | | 9613144101 | 9613144201 | 9613144301 | 9613144301 |
| Valve body (lower) | | | | | | | |
| 22 | 1 | Valve body, 2 ports, ISO | 9613139503 | 9613139505 | 9613139507 | 9613139509 | 9613139511 |
| | 1 | Valve body, 3 ports, ISO | 9613139504 | 9613139506 | 9613139508 | 9613139510 | 9613139512 |
| | 1 | Valve body, 2 ports, DIN | 9613139603 | 9613139605 | 9613139607 | 9613139609 | 9613139611 |
| | 1 | Valve body, 3 ports, DIN | 9613139604 | 9613139606 | 9613139608 | 9613139610 | 9613139612 |
| Valve plug (regulating) | | | | | | | |
| 23 | 1 | Plug, complete, ISO, EPDM (standard) | 9613122001 | 9613122002 | 9613122003 | 9613122004 | 9613122005 |
| | 1 | Plug, complete, ISO, HNBR | 9613122011 | 9613122012 | 9613122013 | 9613122014 | 9613122015 |
| | 1 | Plug, complete, ISO, FPM | 9613122021 | 9613122022 | 9613122023 | 9613122024 | 9613122025 |
| | 1 | Plug, regulating, complete, DIN, EPDM (standard) | 9613122006 | 9613122007 | 9613122008 | 9613122009 | 9613122010 |
| | 1 | Plug, regulating, complete, DIN, HNBR | 9613122016 | 9613122017 | 9613122018 | 9613122019 | 9613122020 |
| | 1 | Plug, complete, DIN, FPM | 9613122026 | 9613122027 | 9613122028 | 9613122029 | 9613122030 |
| 23.1 | 1 | Plug, ISO | 9613125501 | 9613121301 | 9613121302 | 9613121303 | 9613121304 |
| | 1 | Plug, DIN | 9613125502 | 9613121305 | 9613121306 | 9613121307 | 9613121308 |
| 23.2 | ♦ | Plug seal, EPDM (standard) | | | | | |
| | ♦ | Plug seal, HNBR | | | | | |
| | ♦ | Plug seal, FPM | | | | | |
| | | Plug seal set, 10 pcs., EPDM | 9614059404 | 9614059407 | 9614059410 | 9614059413 | 9614059416 |
| | | Plug seal set, 10 pcs., HNBR | 9614059405 | 9614059408 | 9614059411 | 9614059414 | 9614059417 |
| | | Plug seal set, 10 pcs., FPM | 9614059406 | 9614059409 | 9614059412 | 9614059415 | 9614059418 |

Recommended spare parts: service kits

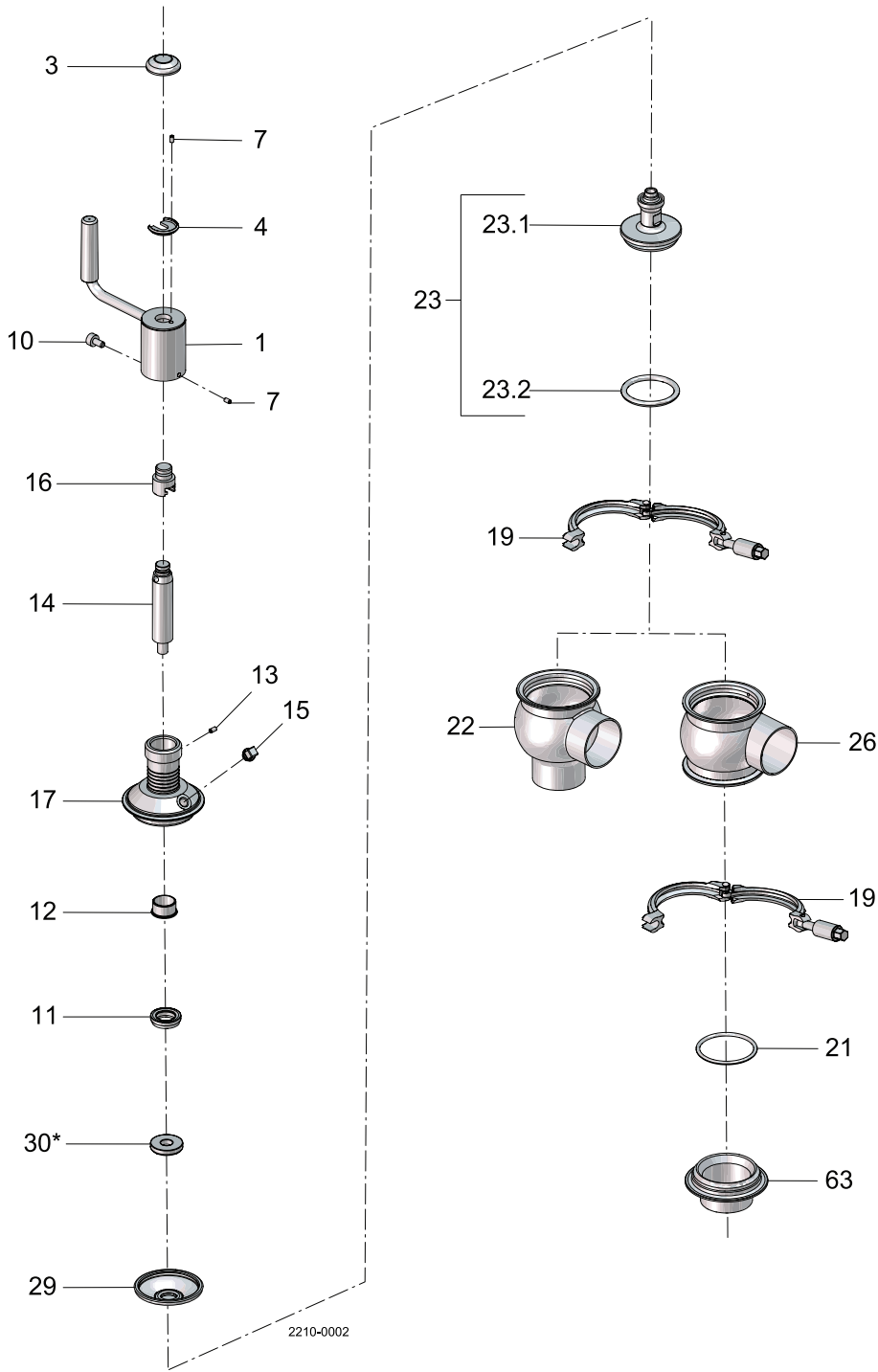
Service kits

| | | DN40 38 mm | DN50 51 mm | DN65 63.5 mm | DN80 76.1 mm | DN100 101.6 mm |
|---|-------------------------|---------------|---------------|-----------------|-----------------|-------------------|
| ♦ | Service kit, EPDM | 9611926544 | 9611926545 | 9611926546 | 9611926547 | 9611926548 |
| ♦ | Service kit, HNBR | 9611926550 | 9611926551 | 9611926552 | 9611926553 | 9611926554 |
| ♦ | Service kit, FPM | 9611926556 | 9611926557 | 9611926558 | 9611926559 | 9611926560 |

Parts marked with ♦ are included in the service kits (product wetted parts)

Tool for bushing (pos. 12) 9613160901

TD900656/2

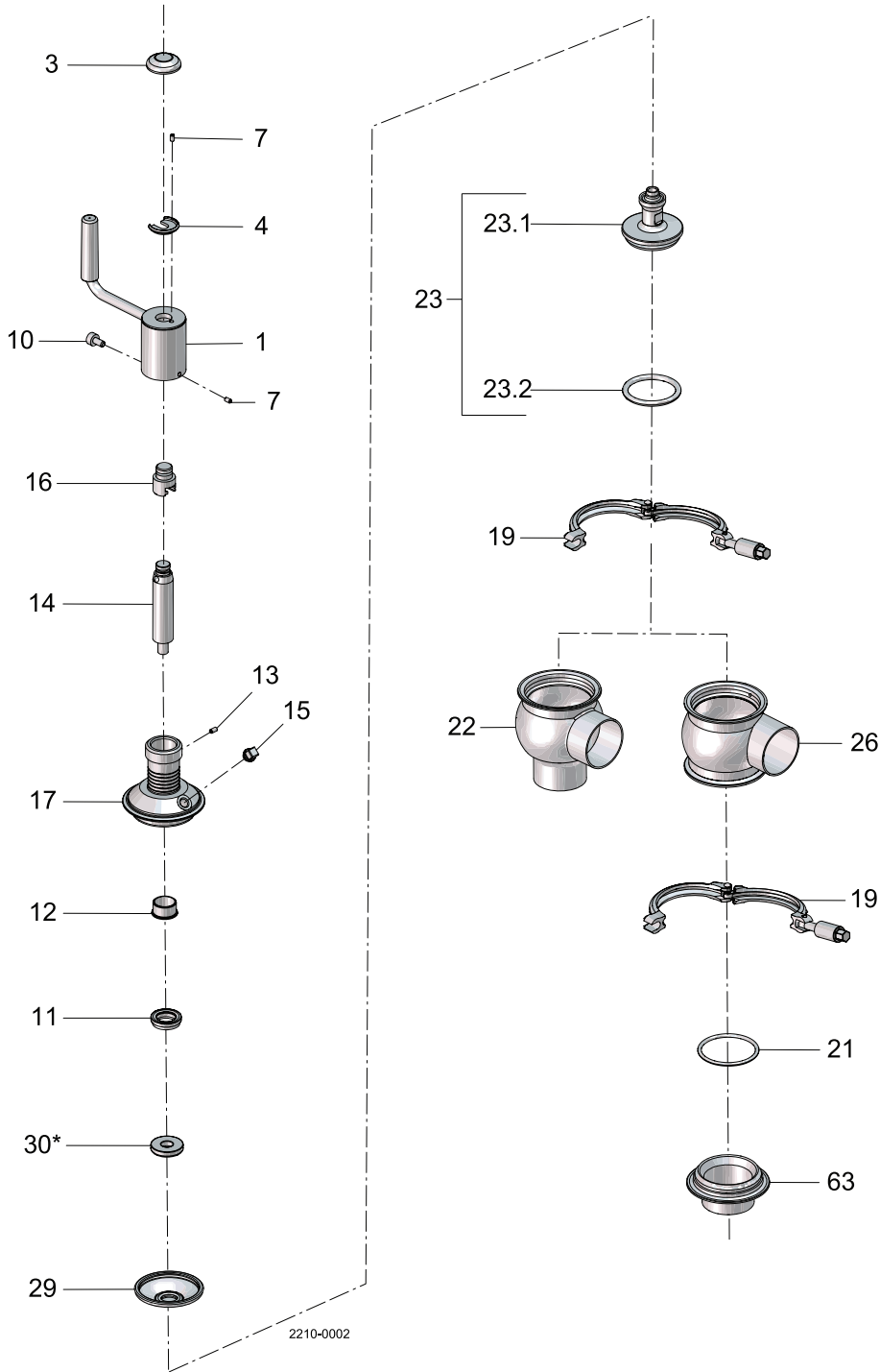


* = Disc not used on DN25/25 mm and DN40/38 mm

Unique SSV - Aseptic Manually Operated Shut Off Valve

| Pos | Qty | Denomination | DN25 25 mm | DN40 38 mm | DN50 51 mm | DN65 63.5 mm | DN80 76.1 mm | DN100 101.6 mm |
|---|-----|--|---------------|---------------|---------------|-----------------|-----------------|-------------------|
| Actuator | | | | | | | | |
| | | Crank mechanism complete | 9613182001 | 9613182001 | 9613182002 | 9613182003 | 9613182004 | 9613182005 |
| 1 | 1 | Crank | 3135304621 | 3135304621 | 3135304621 | 3135304621 | 3135304621 | 3135304621 |
| 3 | 1 | Cap | 3135304681 | 3135304681 | 3135304681 | 3135304681 | 3135304681 | 3135304681 |
| 4 | 1 | Washer | 3135304671 | 3135304671 | 3135304671 | 3135304671 | 3135304671 | 3135304671 |
| 7 | 2 | Set screw | 22158192 | 22158192 | 22158192 | 22158192 | 22158192 | 22158192 |
| 10 | 1 | Lock screw | 3135305291 | 3135305291 | 3135305291 | 3135305291 | 3135305291 | 3135305291 |
| 11 | 1 | Lip seal, HNBR | 9613120502 | 9613120502 | 9613120502 | 9613120502 | 9613120502 | 9613120502 |
| 12 | 1 | Bushing | 9613125002 | 9613125002 | 9613125002 | 9613125002 | 9613125002 | 9613125002 |
| 13 | 1 | Spring pin | 9611992969 | 9611992969 | 9611992969 | 9611992969 | 9611992969 | 9611992969 |
| 14 | 1 | Upper spindle | 9613121901 | 9613121901 | 9613181801 | 9613181801 | 9613181801 | 9613181801 |
| 15 | 1 | Air Fitting | 9611991988 | 9611991988 | 9611991988 | 9611991988 | 9611991988 | 9611991988 |
| 16 | 1 | Stem extension | 9613121801 | 9613121801 | 9613121801 | 9613121801 | 9613121801 | 9613121801 |
| 17 | 1 | Sealing element | 9613181301 | 9613181301 | 9613181401 | 9613181501 | 9613181601 | 9613181701 |
| Clamp | | | | | | | | |
| 19 | 1 | Clamp | 9612939303 | 9612939303 | 9612939304 | 9612939305 | 9612939306 | 9612939307 |
| 29 ♦ | 1 | Diaphragm | | | | | | |
| | | Diaphragm set, 10 pcs. | 9614059437 | 9614059437 | 9614059438 | 9614059439 | 9614059440 | 9614059441 |
| 30 | 1 | Disc for diaphragm | | | 9613144101 | 9613144201 | 9613144301 | 9613144301 |
| Tangential only | | | | | | | | |
| 21 ♦ | 1 | O-ring, EPDM (standard) .. | | | | | | |
| ♦ | 1 | O-ring, HNBR | | | | | | |
| ♦ | 1 | O-ring, FPM | | | | | | |
| | | O-ring set, 10 pcs., EPDM .. | 9614059422 | 9614059422 | 9614059425 | 9614059428 | 9614059431 | 9614059434 |
| | | O-ring set, 10 pcs., HNBR .. | 9614059423 | 9614059423 | 9614059426 | 9614059429 | 9614059432 | 9614059435 |
| | | O-ring set, 10 pcs., FPM ... | 9614059424 | 9614059424 | 9614059427 | 9614059430 | 9614059433 | 9614059436 |
| Valve body standard (lower) | | | | | | | | |
| 22 | 1 | Valve body, 2 ports, ISO ... | 9613139501 | 9613139503 | 9613139505 | 9613139507 | 9613139509 | 9613139511 |
| | 1 | Valve body, 3 ports, ISO ... | 9613139502 | 9613139504 | 9613139506 | 9613139508 | 9613139510 | 9613139512 |
| | 1 | Valve body, 2 ports, DIN ... | 9613139601 | 9613139603 | 9613139605 | 9613139607 | 9613139609 | 9613139611 |
| | 1 | Valve body, 3 ports, DIN ... | 9613139602 | 9613139604 | 9613139606 | 9613139608 | 9613139610 | 9613139612 |
| (Valve body tangential (welding ends)) | | | | | | | | |
| 26 | 1 | Valve body, 1 port, ISO | | | 9613444801 | 9613444803 | 9613444805 | 9613444807 |
| | 1 | Valve body, 2 ports, ISO ... | | | 9613444802 | 9613444804 | 9613444806 | 9613444808 |
| 63 | 1 | Port seal element, ISO | | | 9634071101 | 9634071201 | 9634071301 | 9634071401 |
| Valve Plug (shut-off) | | | | | | | | |
| 23 | 1 | Plug, complete, ISO, EPDM (standard) | 9613122101 | 9613122102 | 9613122103 | 9613122104 | 9613122105 | 9613122106 |
| | 1 | Plug, complete, ISO, HNBR | 9613122107 | 9613122108 | 9613122109 | 9613122110 | 9613122111 | 9613122112 |
| | 1 | Plug, complete, ISO, FPM .. | 9613122113 | 9613122114 | 9613122115 | 9613122116 | 9613122117 | 9613122118 |
| | 1 | Plug, complete, DIN, EPDM (standard) | 9613122119 | 9613122120 | 9613122121 | 9613122122 | 9613122123 | 9613122124 |
| | 1 | Plug, complete, DIN, HNBR | 9613122125 | 9613122126 | 9613122127 | 9613122128 | 9613122129 | 9613122130 |
| | 1 | Plug, complete, DIN, FPM .. | 9613122131 | 9613122132 | 9613122133 | 9613122134 | 9613122135 | 9613122136 |
| 23.1 | 1 | Plug, ISO | 9613143501 | 9613144501 | 9613143401 | 9613143402 | 9613143403 | 9613143404 |
| | 1 | Plug, DIN | 9613143502 | 9613144502 | 9613143405 | 9613143406 | 9613143407 | 9613143408 |
| 23.2 ♦ | 1 | Plug seal, EPDM (standard) | | | | | | |
| ♦ | 1 | Plug seal, HNBR | | | | | | |
| ♦ | 1 | Plug seal, FPM | | | | | | |
| | | Plug seal set, 10 pcs., EPDM | 9614059401 | 9614059404 | 9614059407 | 9614059410 | 9614059413 | 9614059416 |
| | | Plug seal set, 10 pcs., HNBR | 9614059402 | 9614059405 | 9614059408 | 9614059411 | 9614059414 | 9614059417 |
| | | Plug seal set, 10 pcs., FPM | 9614059403 | 9614059406 | 9614059409 | 9614059412 | 9614059415 | 9614059418 |

Recommended spare parts: service kits



* = Disc not used on DN25/25 mm and DN40/38 mm

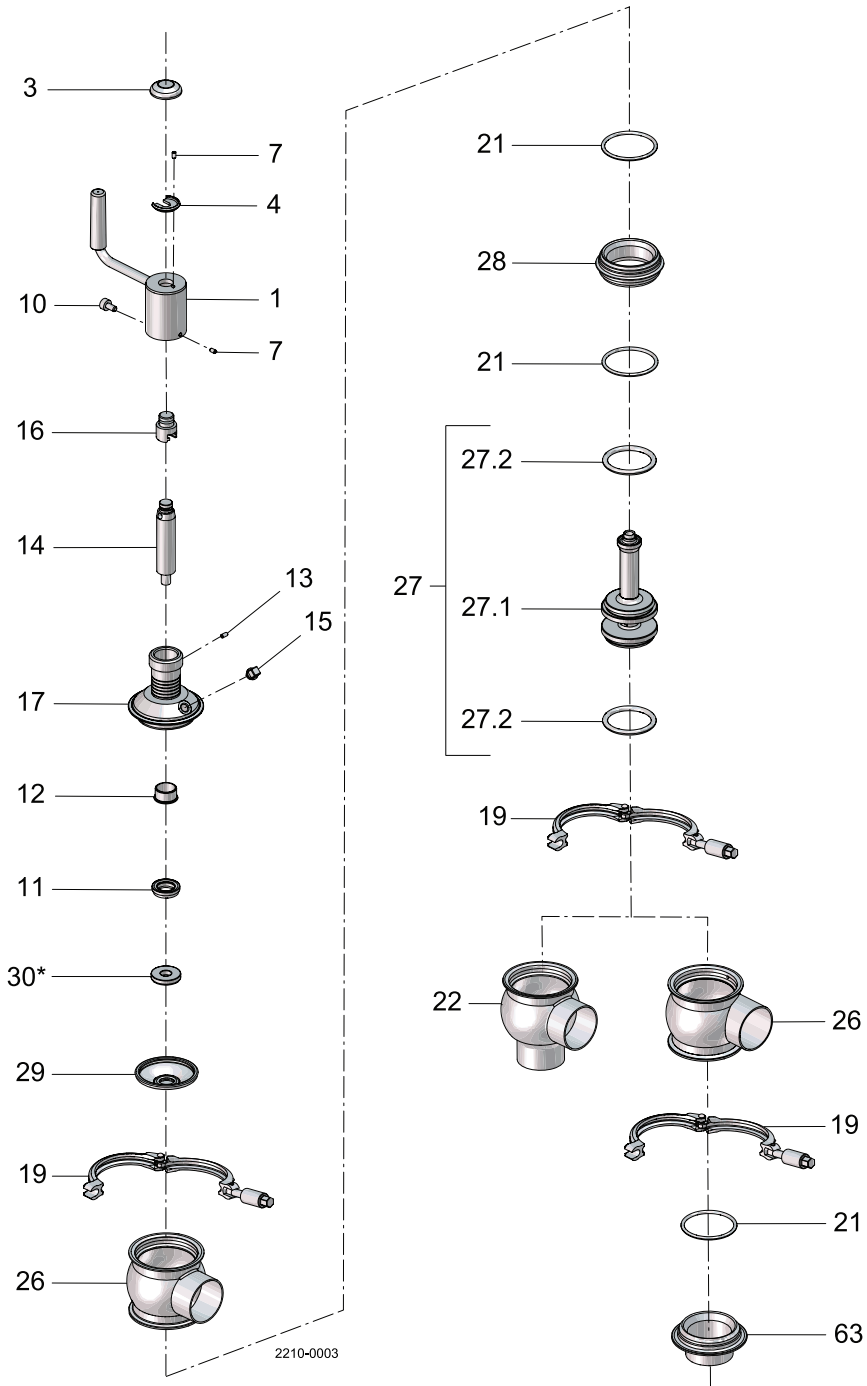
Service kits

| | | DN25 25 mm | DN40 38 mm | DN50 51 mm | DN65 63.5 mm | DN80 76.1 mm | DN100 101.6 mm |
|------------------------|-------------------------|---------------|---------------|---------------|-----------------|-----------------|-------------------|
| Standard | | | | | | | |
| ♦ | Service kit, EPDM | 9611926543 | 9611926544 | 9611926545 | 9611926546 | 9611926547 | 9611926548 |
| ♦ | Service kit, HNBR | 9611926549 | 9611926550 | 9611926551 | 9611926552 | 9611926553 | 9611926554 |
| ♦ | Service kit, FPM | 9611926555 | 9611926556 | 9611926557 | 9611926558 | 9611926559 | 9611926560 |
| Tangential only | | | | | | | |
| ♦ | Service kit, EPDM | 9611926909 | 9611926910 | 9611926911 | 9611926912 | 9611926913 | 9611926914 |
| ♦ | Service kit, HNBR | 9611926915 | 9611926916 | 9611926917 | 9611926918 | 9611926919 | 9611926920 |
| ♦ | Service kit, FPM | 9611926921 | 9611926922 | 9611926923 | 9611926924 | 9611926925 | 9611926926 |

Parts marked with ♦ are included in the service kits (product wetted parts)

Tool for bushing (pos. 12) 9613160901

TD900654/2

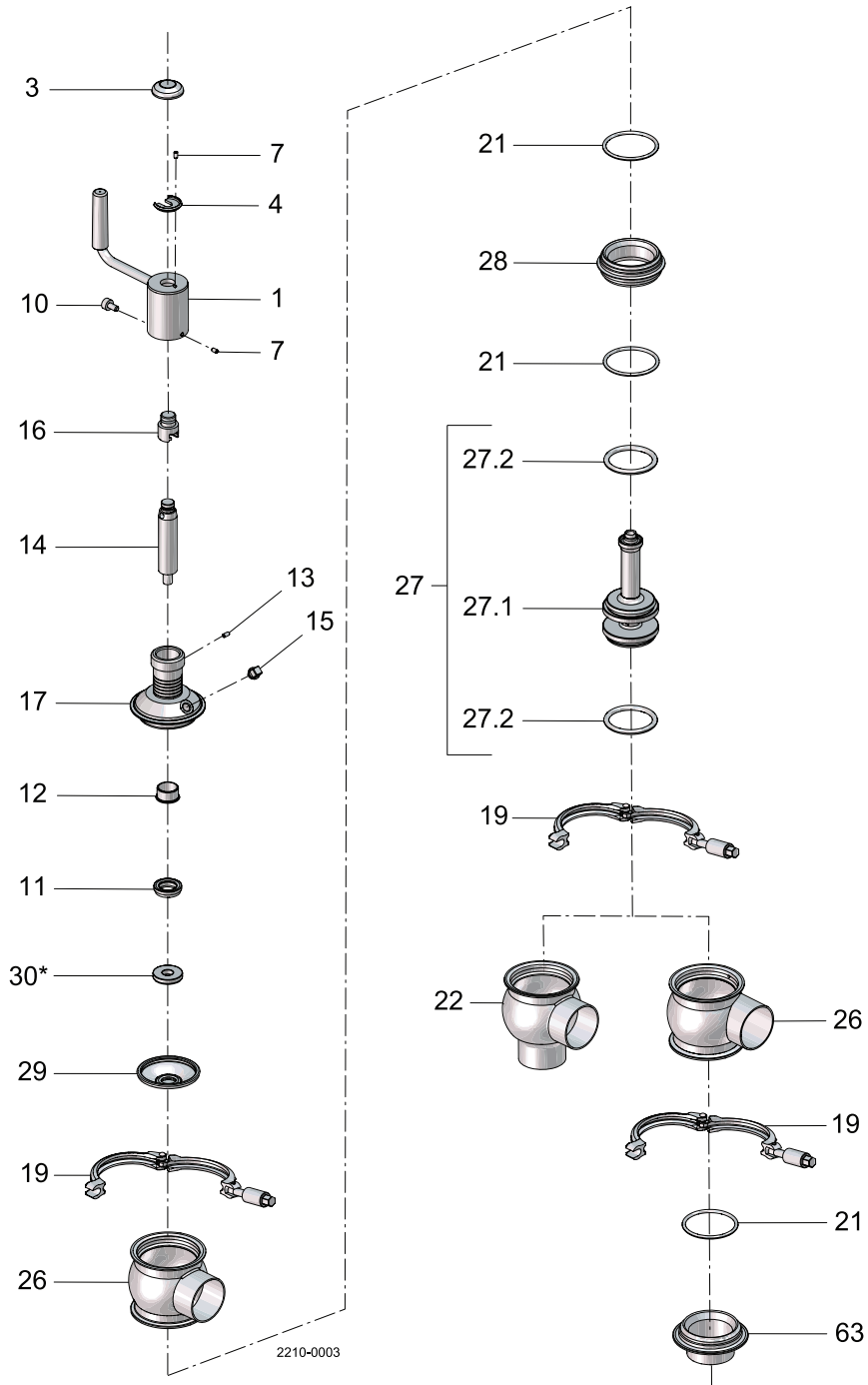


* = Disc not used on DN25/25 mm and DN40/38 mm

Unique SSV - Aseptic Manually Operated Change Over Valve

| Pos | Qty | Denomination | DN25 25 mm | DN40 38 mm | DN50 51 mm | DN65 63.5 mm | DN80 76.1 mm | DN100 101.6 mm |
|---|-----|--|---------------|---------------|---------------|-----------------|-----------------|-------------------|
| Actuator | | | | | | | | |
| | | Crank mechanism complete | 9613182001 | 9613182001 | 9613182002 | 9613182003 | 9613182004 | 9613182005 |
| 1 | 1 | Crank | 3135304621 | 3135304621 | 3135304621 | 3135304621 | 3135304621 | 3135304621 |
| 3 | 1 | Cap | 3135304681 | 3135304681 | 3135304681 | 3135304681 | 3135304681 | 3135304681 |
| 4 | 1 | Washer | 3135304671 | 3135304671 | 3135304671 | 3135304671 | 3135304671 | 3135304671 |
| 7 | 2 | Set screw | 22158192 | 22158192 | 22158192 | 22158192 | 22158192 | 22158192 |
| 10 | 1 | Lock screw | 3135305291 | 3135305291 | 3135305291 | 3135305291 | 3135305291 | 3135305291 |
| 11 | 1 | Lip seal, HNBR | 9613120502 | 9613120502 | 9613120502 | 9613120502 | 9613120502 | 9613120502 |
| 12 | 1 | Bushing | 9613125002 | 9613125002 | 9613125002 | 9613125002 | 9613125002 | 9613125002 |
| 13 | 1 | Spring pin | 9611992969 | 9611992969 | 9611992969 | 9611992969 | 9611992969 | 9611992969 |
| 14 | 1 | Upper spindle | 9613121901 | 9613121901 | 9613181801 | 9613181801 | 9613181801 | 9613181801 |
| 15 | 1 | Air Fitting | 9611991988 | 9611991988 | 9611991988 | 9611991988 | 9611991988 | 9611991988 |
| 16 | 1 | Stem extension | 9613121801 | 9613121801 | 9613121801 | 9613121801 | 9613121801 | 9613121801 |
| 17 | 1 | Sealing element | 9613181301 | 9613181301 | 9613181401 | 9613181501 | 9613181601 | 9613181701 |
| Clamp | | | | | | | | |
| 19 | 2 | Clamp | 9612939303 | 9612939303 | 9612939304 | 9612939305 | 9612939306 | 9612939307 |
| 29 ♦ | 1 | Diaphragm | | | | | | |
| | | Diaphragm set, 10 pcs. | 9614059437 | 9614059437 | 9614059438 | 9614059439 | 9614059440 | 9614059441 |
| 30 | 1 | Disc for diaphragm | | | 9613144101 | 9613144201 | 9613144301 | 9613144301 |
| 21 ♦ | 2 | O-ring, EPDM (standard) .. | | | | | | |
| ♦ | 2 | O-ring, HNBR | | | | | | |
| ♦ | 2 | O-ring, FPM | | | | | | |
| | 3 | O-ring, EPDM (standard) - Tangential only | | | | | | |
| | 3 | O-ring, HNBR - Tangential only | | | | | | |
| | 3 | O-ring, FPM - Tangential only | | | | | | |
| | | O-ring set, 10 pcs.. EPDM .. | 9614059422 | 9614059422 | 9614059425 | 9614059428 | 9614059431 | 9614059434 |
| | | O-ring set, 10 pcs. HNBR .. | 9614059423 | 9614059423 | 9614059426 | 9614059429 | 9614059432 | 9614059435 |
| | | O-ring set, 10 pcs.. FPM .. | 9614059424 | 9614059424 | 9614059427 | 9614059430 | 9614059433 | 9614059436 |
| Seat | | | | | | | | |
| 28 | 1 | Seat | 9613127501 | 9613127502 | 9613127503 | 9613127504 | 9613127505 | 9613127506 |
| Valve Body (upper) | | | | | | | | |
| 26 | 1 | Valve body, 1 port, ISO | 9613139301 | 9613139303 | 9613139305 | 9613139307 | 9613139309 | 9613139311 |
| | 1 | Valve body, 2 ports, ISO ... | 9613139302 | 9613139304 | 9613139306 | 9613139308 | 9613139310 | 9613139312 |
| | 1 | Valve body, 1 port, DIN | 9613139401 | 9613139403 | 9613139405 | 9613139407 | 9613139409 | 9613139411 |
| | 1 | Valve body, 2 ports, DIN ... | 9613139402 | 9613139404 | 9613139406 | 9613139408 | 9613139410 | 9613139412 |
| Valve body (lower) | | | | | | | | |
| 22 | 1 | Valve body, 2 ports, ISO ... | 9613139501 | 9613139503 | 9613139505 | 9613139507 | 9613139509 | 9613139511 |
| | 1 | Valve body, 3 ports, ISO ... | 9613139502 | 9613139504 | 9613139506 | 9613139508 | 9613139510 | 9613139512 |
| | 1 | Valve body, 2 ports, DIN ... | 9613139601 | 9613139603 | 9613139605 | 9613139607 | 9613139609 | 9613139611 |
| | 1 | Valve body, 3 ports, DIN ... | 9613139602 | 9613139604 | 9613139606 | 9613139608 | 9613139610 | 9613139612 |
| (Valve body tangential (welding ends)) | | | | | | | | |
| 26 | 2 | Valve body, 1 port, ISO | | | 9613444801 | 9613444803 | 9613444805 | 9613444807 |
| | 2 | Valve body, 2 ports, ISO ... | | | 9613444802 | 9613444804 | 9613444806 | 9613444808 |
| 63 | 1 | Port seal element, ISO | | | 9634071101 | 9634071201 | 9634071301 | 9634071401 |
| Valve Plug (change-over) | | | | | | | | |
| 27 | 1 | Plug, complete, ISO, EPDM (standard) | 9613122301 | 9613122302 | 9613122303 | 9613122304 | 9613122305 | 9613122306 |
| | 1 | Plug, complete, ISO, HNBR | 9613122307 | 9613122308 | 9613122309 | 9613122310 | 9613122311 | 9613122312 |
| | 1 | Plug, complete, ISO, FPM .. | 9613122313 | 9613122314 | 9613122315 | 9613122316 | 9613122317 | 9613122318 |
| | 1 | Plug, complete, DIN, EPDM (standard) | 9613122319 | 9613122320 | 9613122321 | 9613122322 | 9613122323 | 9613122324 |
| | 1 | Plug, complete, DIN, complete, HNBR | 9613122325 | 9613122326 | 9613122327 | 9613122328 | 9613122329 | 9613122330 |
| | 1 | Plug, complete, DIN, FPM .. | 9613122331 | 9613122332 | 9613122333 | 9613122334 | 9613122335 | 9613122336 |
| 27.1 | 1 | Plug, ISO | 9613143601 | 9613143901 | 9613143902 | 9613143903 | 9613143904 | 9613143905 |
| | 1 | Plug, DIN | 9613143602 | 9613143906 | 9613143907 | 9613143908 | 9613143909 | 9613143910 |
| 27.2 ♦ | 2 | Plug seal, EPDM (standard) | | | | | | |
| ♦ | 2 | Plug seal, HNBR | | | | | | |
| ♦ | 2 | Plug seal, FPM | | | | | | |
| | | Plug seal set, 10 pcs., EPDM | 9614059401 | 9614059404 | 9614059407 | 9614059410 | 9614059413 | 9614059416 |
| | | Plug seal set, 10 pcs., HNBR | 9614059402 | 9614059405 | 9614059408 | 9614059411 | 9614059414 | 9614059417 |
| | | Plug seal set, 10 pcs., FPM | 9614059403 | 9614059406 | 9614059409 | 9614059412 | 9614059415 | 9614059418 |

Recommended spare parts: service kits



* = Disc not used on DN25/25 mm and DN40/38 mm

Service kits

| | | DN25 25 mm | DN40 38 mm | DN50 51 mm | DN65 63.5 mm | DN80 76.1 mm | DN100 101.6 mm |
|---|-------------------------|----------------------|----------------------|----------------------|------------------------|------------------------|--------------------------|
| ♦ | Service kit, EPDM | 9611926615 | 9611926616 | 9611926617 | 9611926618 | 9611926619 | 9611926620 |
| ♦ | Service kit, HNBR | 9611926621 | 9611926622 | 9611926623 | 9611926624 | 9611926625 | 9611926626 |
| ♦ | Service kit, FPM | 9611926627 | 9611926628 | 9611926629 | 9611926630 | 9611926631 | 9611926632 |

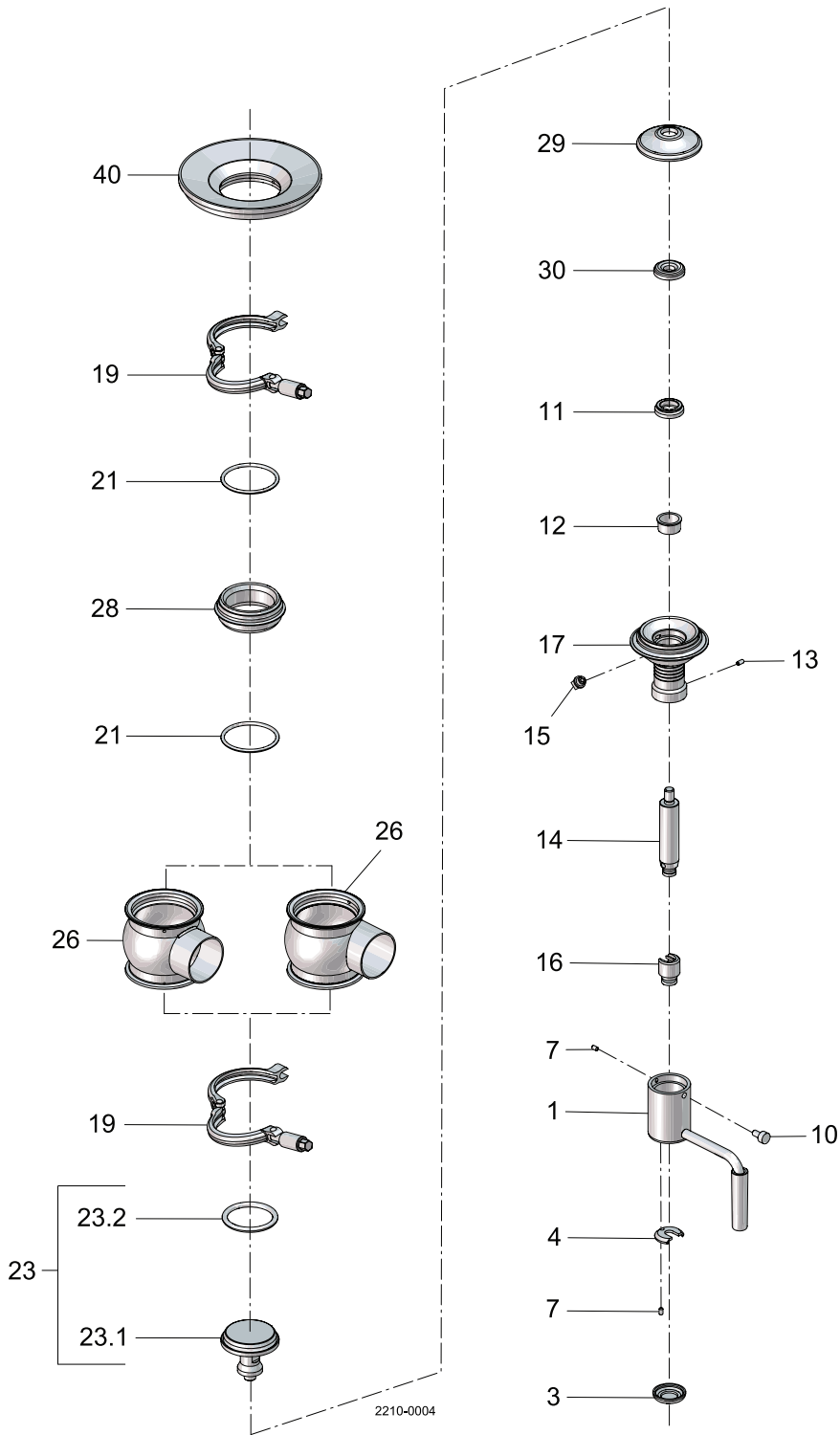
Tangential only

| | | | | | | | |
|---|-------------------------|------------|------------|------------|------------|------------|------------|
| ♦ | Service kit, EPDM | 9611926927 | 9611926928 | 9611926929 | 9611926930 | 9611926931 | 9611926932 |
| ♦ | Service kit, HNBR | 9611926933 | 9611926934 | 9611926935 | 9611926936 | 9611926937 | 9611926938 |
| ♦ | Service kit, FPM | 9611926939 | 9611926940 | 9611926941 | 9611926942 | 9611926943 | 9611926944 |

Parts marked with ♦ are included in the service kits (product wetted parts)

Tool for bushing (pos. 12) part no. 9613160901

TD900654/2



Unique SSV - Aseptic Manual Tank Outlet Valve

| Pos | Qty | Denomination | DN50 | DN65 | DN80 | DN100 |
|---|-----|--|------------|------------|------------|------------|
| | | | 51 mm | 63.5 mm | 76.1 mm | 101.6 mm |
| Actuator | | | | | | |
| | | Crank mechanism complete | 9613182002 | 9613182003 | 9613182004 | 9613182005 |
| 1 | 1 | Crank | 3135304621 | 3135304621 | 3135304621 | 3135304621 |
| 3 | 1 | Cap | 3135304681 | 3135304681 | 3135304681 | 3135304681 |
| 4 | 1 | Washer | 3135304671 | 3135304671 | 3135304671 | 3135304671 |
| 7 | 2 | Set screw | 22158192 | 22158192 | 22158192 | 22158192 |
| 10 | 1 | Lock screw | 3135305291 | 3135305291 | 3135305291 | 3135305291 |
| 11 | 1 | Lip seal, HNBR | 9613120502 | 9613120502 | 9613120502 | 9613120502 |
| 12 | 1 | Bushing | 9613125002 | 9613125002 | 9613125002 | 9613125002 |
| 13 | 1 | Spring pin | 9611992969 | 9611992969 | 9611992969 | 9611992969 |
| 14 | 1 | Upper spindle | 9613181801 | 9613181801 | 9613181801 | 9613181801 |
| 15 | 1 | Air Fitting | 9611991988 | 9611991988 | 9611991988 | 9611991988 |
| 16 | 1 | Stem extension | 9613121801 | 9613121801 | 9613121801 | 9613121801 |
| 17 | 1 | Sealing element | 9613181401 | 9613181501 | 9613181601 | 9613181701 |
| Clamp | | | | | | |
| 19 | 1 | Clamp | 9612939304 | 9612939305 | 9612939306 | 9612939307 |
| 21 | ♦ | 2 O-ring, EPDM (standard) | | | | |
| | ♦ | 2 O-ring, HNBR | | | | |
| | ♦ | 2 O-ring, FPM | | | | |
| | | O-ring set, 10 pcs., EPDM | 9614059425 | 9614059428 | 9614059431 | 9614059434 |
| | | O-ring set, 10 pcs., HNBR | 9614059426 | 9614059429 | 9614059432 | 9614059435 |
| | | O-ring set, 10 pcs., FPM | 9614059427 | 9614059430 | 9614059433 | 9614059436 |
| 29 | ♦ | 1 Diaphragm | | | | |
| | | Diaphragm set, 10 pcs. | 9614059438 | 9614059439 | 9614059440 | 9614059441 |
| 30 | 1 | Disc for diaphragm | 9613144101 | 9613144201 | 9613144301 | 9613144301 |
| Valve body standard (upper) | | | | | | |
| 26 | 1 | Valve body, 1 port, ISO | 9613139305 | 9613139307 | 9613139309 | 9613139311 |
| | 1 | Valve body, 2 ports, ISO | 9613139306 | 9613139308 | 9613139310 | 9613139312 |
| | 1 | Valve body, 1 port, DIN | 9613139405 | 9613139407 | 9613139409 | 9613139411 |
| | 1 | Valve body, 2 ports, DIN | 9613139406 | 9613139408 | 9613139410 | 9613139412 |
| (Valve body tangential (welding ends)) | | | | | | |
| | 1 | Valve body, 1 port, ISO | 9613444801 | 9613444803 | 9613444805 | 9613444807 |
| | 1 | Valve body, 2 ports, ISO | 9613444802 | 9613444804 | 9613444806 | 9613444808 |
| Seat | | | | | | |
| 28 | 1 | Seat | 9613127503 | 9613127504 | 9613127505 | 9613127506 |
| Tank flange | | | | | | |
| 40 | 1 | Tank flange | 9634069901 | 9634070001 | 9634070101 | 9634070201 |
| Valve Plug (shut-off) | | | | | | |
| 23 | 1 | Plug, complete, ISO, EPDM (standard) | 9613122103 | 9613122104 | 9613122105 | 9613122106 |
| | 1 | Plug, complete, ISO, HNBR | 9613122109 | 9613122110 | 9613122111 | 9613122112 |
| | 1 | Plug, complete, ISO, FPM | 9613122115 | 9613122116 | 9613122117 | 9613122118 |
| | 1 | Plug, complete, DIN, EPDM (standard) | 9613122121 | 9613122122 | 9613122123 | 9613122124 |
| | 1 | Plug, complete, DIN, HNBR | 9613122127 | 9613122128 | 9613122129 | 9613122130 |
| | 1 | Plug, complete, DIN, FPM | 9613122133 | 9613122134 | 9613122135 | 9613122136 |
| 23. | 1 | Plug, ISO | 9613143401 | 9613143402 | 9613143403 | 9613143404 |
| 1 | | | | | | |
| | 1 | Plug, DIN | 9613143405 | 9613143406 | 9613143407 | 9613143408 |
| 23. | ♦ | 1 Plug seal, EPDM (standard) | | | | |
| 2 | | | | | | |
| | ♦ | 1 Plug seal, HNBR | | | | |
| | ♦ | 1 Plug seal, FPM | | | | |
| | | Plug seal set, 10 pcs., EPDM | 9614059407 | 9614059410 | 9614059413 | 9614059416 |
| | | Plug seal set, 10 pcs., HNBR | 9614059408 | 9614059411 | 9614059414 | 9614059417 |
| | | Plug seal set, 10 pcs., FPM | 9614059409 | 9614059412 | 9614059415 | 9614059418 |

Recommended spare parts: Service kits

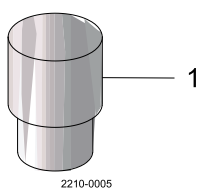
Service kits

| | | DN50 | DN65 | DN80 | DN100 |
|---|-------------------------|------------|------------|------------|------------|
| | | 51 mm | 63.5 mm | 76.1 mm | 101.6 mm |
| ♦ | Service kit, EPDM | 9611926945 | 9611926956 | 9611926947 | 9611926948 |
| ♦ | Service kit, HNBR | 9611926949 | 9611926950 | 9611926951 | 9611926952 |
| ♦ | Service kit, FPM | 9611926953 | 9611926954 | 9611926955 | 9611926956 |

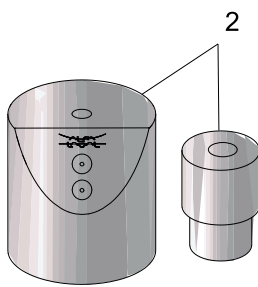
Parts marked with ♦ are included in the service kits (product wetted parts)

Tool for bushing (pos. 12) 9613160901

TD900655/2



2210-0005



2210-0006

Unique SSV - Aseptic Manually Operated - Mounting Tools

| Pos | Qty | Denomination | DN25-100 25-101.6 mm |
|------------|------------|----------------------------------|---------------------------------|
| 1 | 1 | Tool for bushing (pos. 24) | 9613160901 |

TD900-518

| Pos | Qty | Denomination | DN25 25 mm | DN40 38 mm | DN50 51 mm | DN65 63.5 mm | DN80 76.1 mm | DN100 101.6 mm |
|------------|------------|---|-----------------------|-----------------------|-----------------------|-------------------------|-------------------------|---------------------------|
| 2 | 1 | Mounting tool for elastomer plug seals | 9614060001 | 9614060002 | 9614060003 | 9614060003 | 9614060004 | 9614060004 |

TD900-520

How to contact Alfa Laval

Contact details for all countries are continually updated on our website.

Please visit www.alfalaval.com to access the information directly.

© Alfa Laval Corporate AB

This document and its contents is owned by Alfa Laval Corporate AB and protected by laws governing intellectual property and thereto related rights. It is the responsibility of the user of this document to comply with all applicable intellectual property laws. Without limiting any rights related to this document, no part of this document may be copied, reproduced or transmitted in any form or by any means (electronic, mechanical, photocopying, recording, or otherwise), or for any purpose, without the expressed permission of Alfa Laval Corporate AB. Alfa Laval Corporate AB will enforce its rights related to this document to the fullest extent of the law, including the seeking of criminal prosecution.