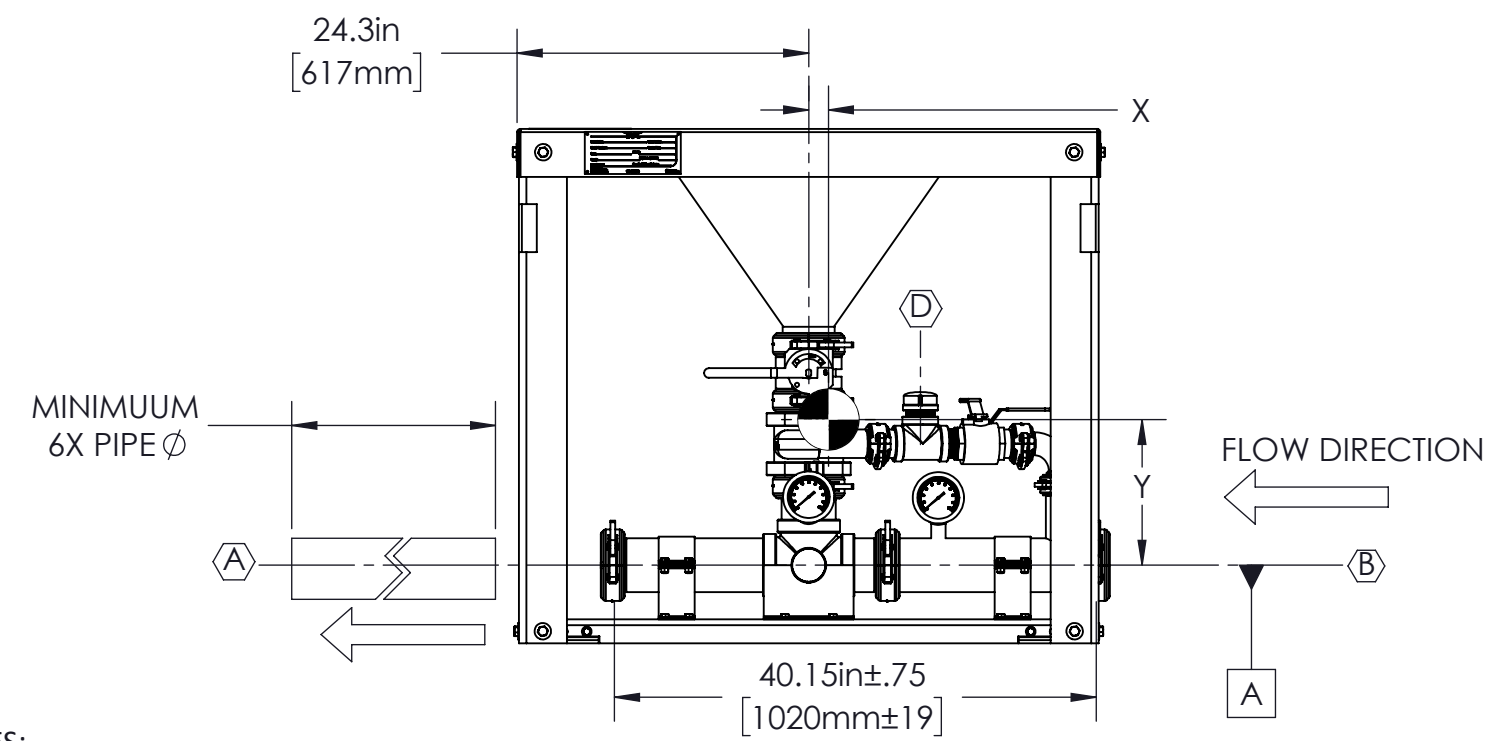
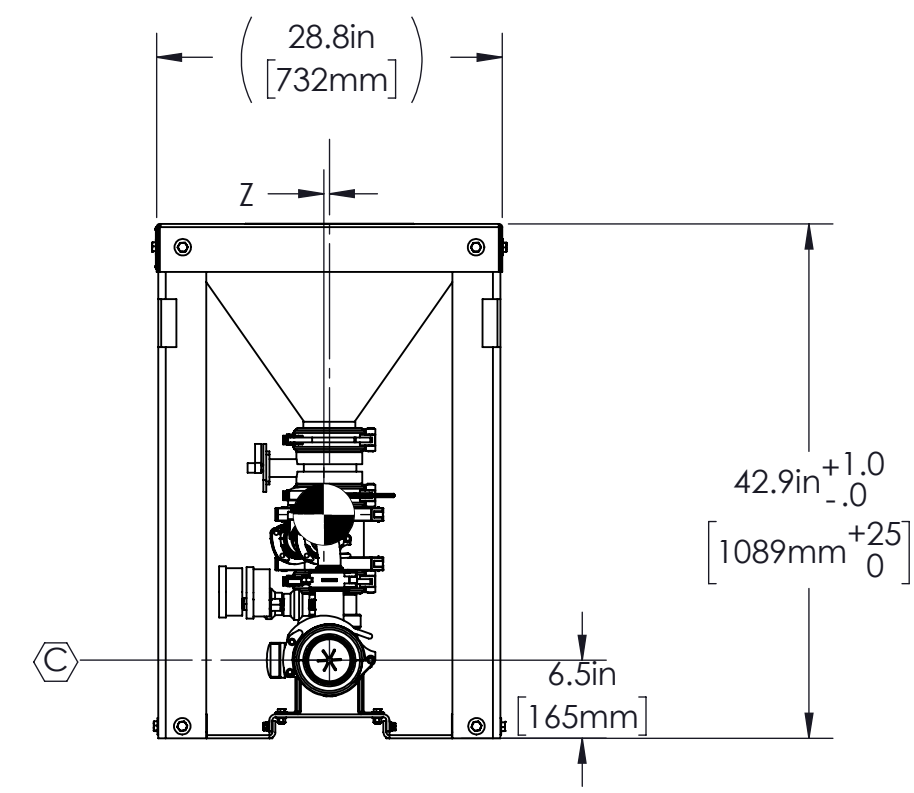
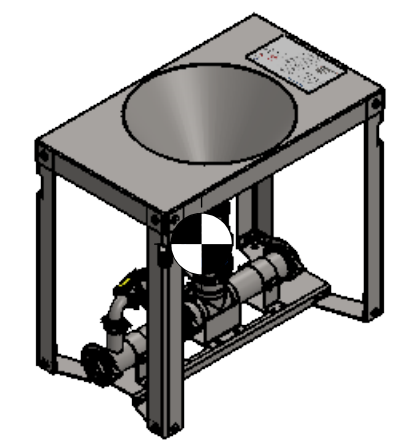
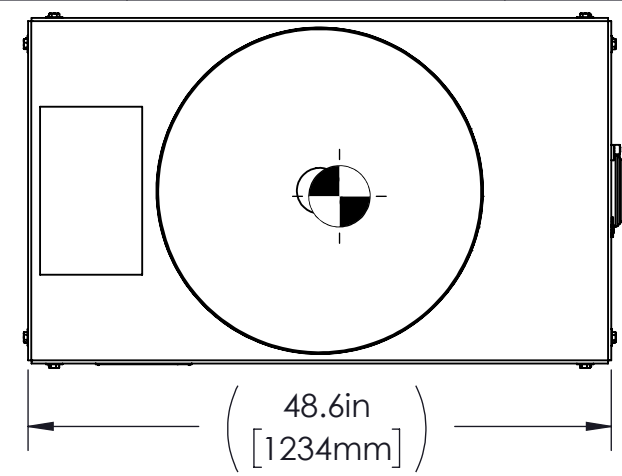


REVISION NOTES			
ECR NUMBER	RELEASE NOTES	DATE	APPROVAL
1146	FLOW DETAIL UPDATE	09/17/2019	KA

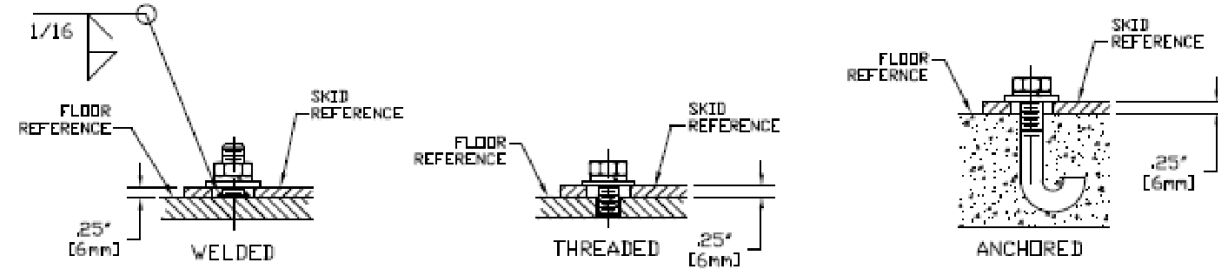
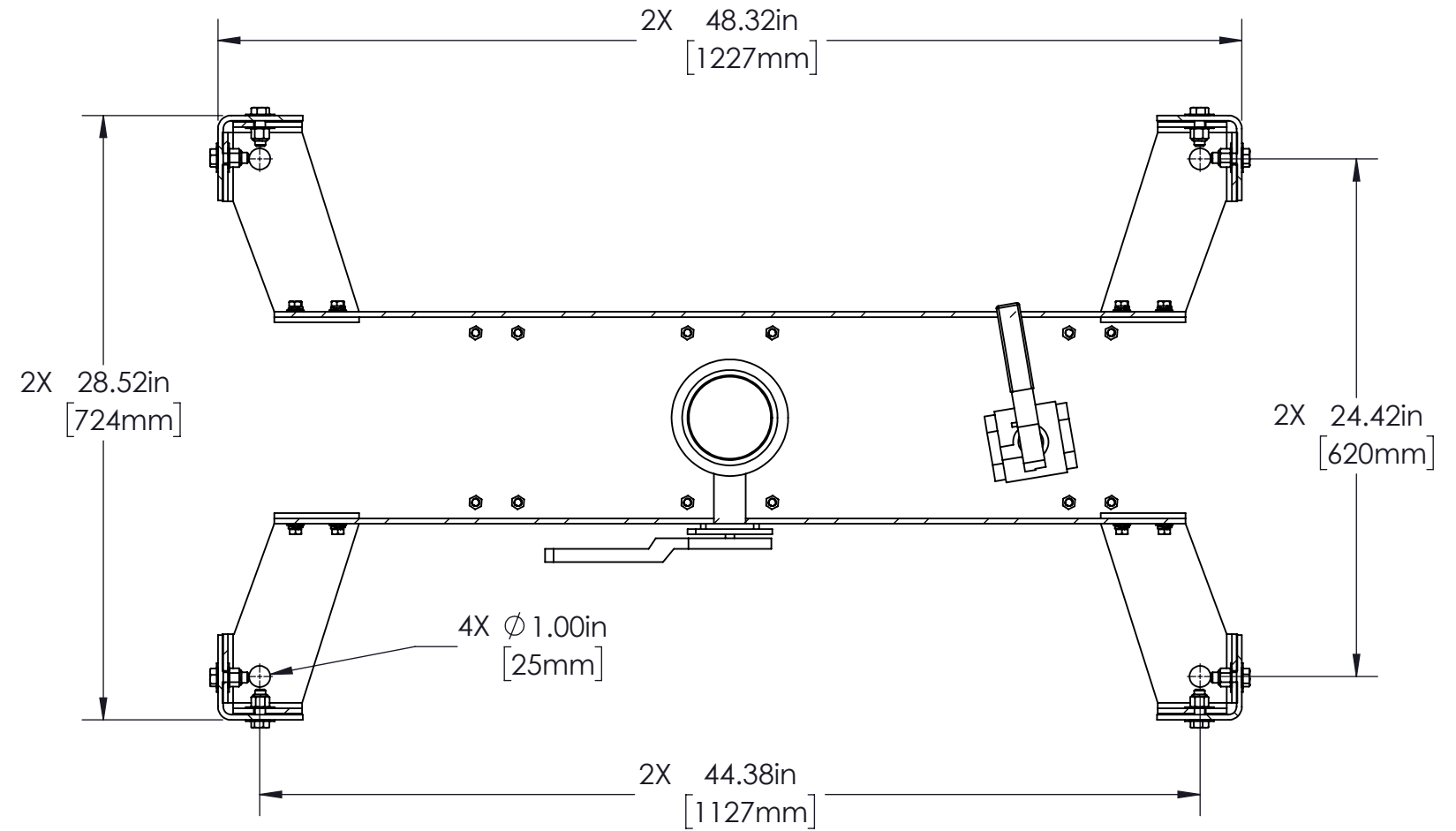
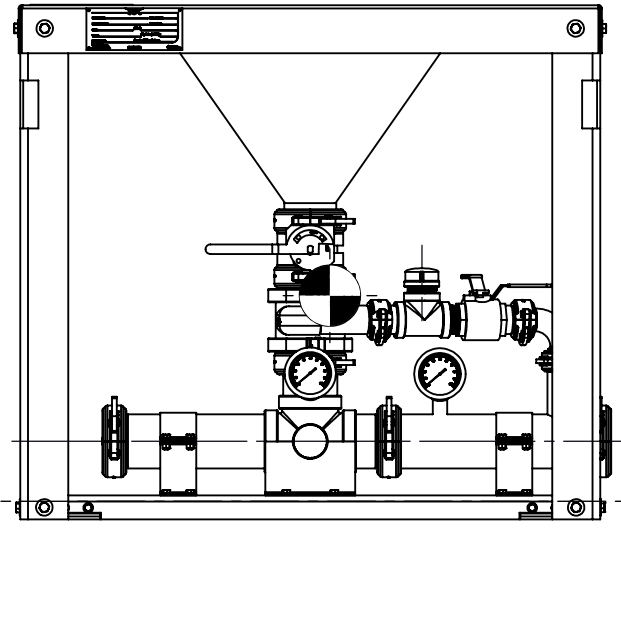


- NOTES:**
- PRODUCT CONTAINS PATENTED RADIAL PREMIXER FOR PREWETTING (PATENT# 6796704)
  - MINIMUM STRAIGHT PIPE LENGTH WITHOUT OBSTRUCTION ON DISCHARGE SIDE TO BE 6X PIPE DIAMETER
  - OLD DRAWING NUMBER: V VE-U4-S-M4M
  - READ PRODUCT MANUALS BEFORE INSTALLATION AND OPERATION
  - PRODUCT DETAILS
    - SINGLE ADDITIVE SUCTION PORT
    - 1.5" (38.1mm) LOBESTAR MIXING NOZZLE® ORIFICE
    - 300-485 GPM MOTIVE FLOW RATE 60-205 FT DIFFERENTIAL HEAD (25-90 PSI DIFFERENTIAL PRESSURE WITH WATER)
    - GROOVED END PIPE INLET AND DISCHARGE CONNECTIONS
    - LEFT HAND GAUGE PORT ORIENTATION
    - STAINLESS STEEL SHEAR-MIXER BODY
    - URETHANE INSERTS
    - BUNA GASKETS
    - OPERATING TEMPERATURE: -20°F TO +135°F (-29°C TO +57°C)
    - ESTIMATED WEIGHT (DRY): 393 lbs OR 198 kg

CUSTOMER FIELD CONNECTIONS						
MK. NO.	QUAN	SIZE	RATING	TYPE	SCHEDULE	SERVICE
A	1	4"	N/A	GRV/PIPE	80	BLENDED DISCHARGE
B	1	4"	N/A	GRV/PIPE	40	MOTIVE FLOW INLET
C	1	2"	150#	MNPT	40	SECONDARY SUCTION
D	1	2"	150#	FNPT	N/A	ADDITIVE PORT

<p><b>Company Confidential</b></p> <p>Alfa Laval Inc. 10470 Deer Trail Drive Houston, TX 77038 USA www.alfalaval.com (713) 869-2593</p> <p>This drawing and any information or descriptive material set out on it are the confidential and copyright property of Alfa Laval Inc. © and MUST NOT BE DISCLOSED, COPIED, LOANED in whole or part or used for any purpose without the written permission of Alfa Laval, Inc.</p>	<p>Tolerances: Unless Otherwise Stated: Linear Tol.: .X - = +/- .250 (6.35 mm) .XX - = +/- .188 (4.77 mm) .XXX - = +/- .125 (3.18 mm) Angular Tol.: +/- 1° All Dimensions: in</p>		<p>Workflow: <b>Design Released to Production</b></p>							
	<p>Finish: <b>N/A</b></p>		<p>Drawing Scale: <b>1:2</b></p>		<p>Drawn by: <i>XC</i></p>		<p>Drawn Date: <i>03/08/2017</i></p>		<p>Old Reference Number: <b>V VE-U-4S-M4</b></p>	
	<p>Approx Weight: <b>403</b> Lbs.</p>		<p>Drawing Produced In Accordance With: <b>ASME Y14.5M-2009</b></p>		<p>Engineering Approval: <i>XC</i></p>		<p>Approved Date: <i>03/31/2017</i></p>		<p>Part Number: <b>9984000276</b></p>	
	<p>Projection Method: <b>THIRD ANGLE</b></p>		<p>Sheet Size: <b>B</b></p>		<p>Material: <b>SEE DWG</b></p>		<p>Sheet: <b>1 of 2</b></p>		<p>Drawing Number: <b>9984000276_SGA</b></p>	

C.G LOCATION			
CONDITION	X	Y	Z
DRY	1.34" (34 mm)	12.18" (309 mm)	.45" (11 mm)
OPERATING	.89" (23 mm)	18.15" (461 mm)	.30" (8 mm)



TYPICAL MOUNTING DETAILS

<b>Company Confidential</b>   Alfa Laval Inc. 10470 Deer Trail Drive Houston, TX 77038 USA www.alfalaval.com (713) 869-2593	<b>Tolerances:</b> Unless Otherwise Stated: Linear Tol.: .X - = +/- .250 (6.35 mm) .XX - = +/- .188 (4.77 mm) .XXX - = +/- .125 (3.18 mm) Angular Tol.: +/- 1° All Dimensions: in		<b>Workflow:</b> <b>Design Released to Production</b>			
	<b>Finish:</b> N/A <b>Drawing Scale:</b> 1:2		<b>Description:</b> <b>SHEAR-MIXER,SM4102_SGA</b>			
This drawing and any information or descriptive material set out on it are the confidential and copyright property of Alfa Laval Inc. © and MUST NOT BE DISCLOSED, COPIED, LOANED in whole or part or used for any purpose without the written permission of Alfa Laval, Inc.	<b>Approx Weight:</b> <b>403 Lbs.</b>	<b>Drawing Produced In Accordance With:</b> <b>ASME Y14.5M-2009</b>	<b>Drawn by:</b> XCA	<b>Drawn Date:</b> 03/08/2017	<b>Old Reference Number:</b> <b>V VE-U-4S-M4</b>	
	<b>Projection Method:</b> <b>THIRD ANGLE</b>	<b>Sheet Size:</b> <b>B</b>	<b>Engineering Approval:</b> XCA	<b>Approved Date:</b> 03/31/2017	<b>Part Number:</b> <b>9984000276</b>	
		<b>Material:</b> <b>SEE DWG</b>	<b>Sheet:</b> <b>2 of 2</b>	<b>Drawing Number:</b> <b>9984000276_SGA</b>	<b>Revision:</b> <b>C</b>	