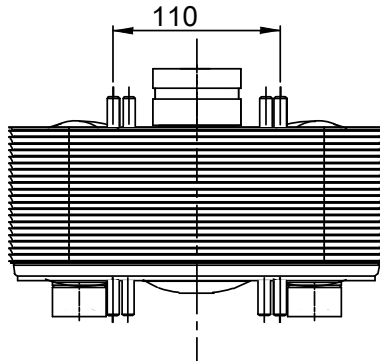
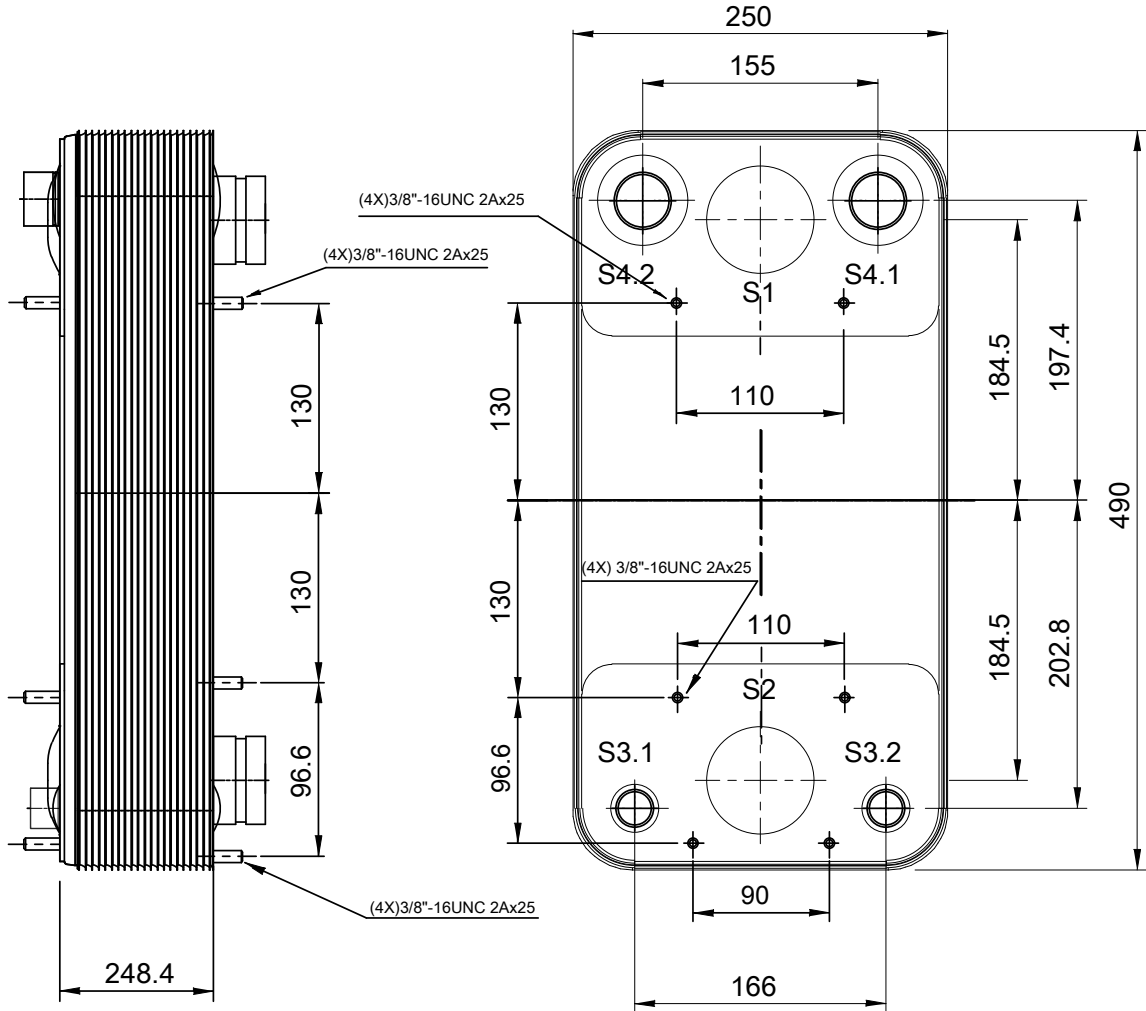
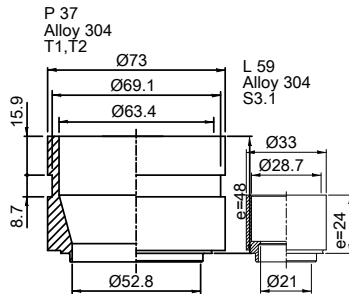
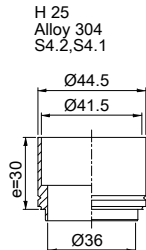
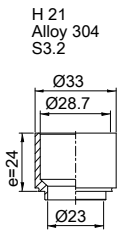
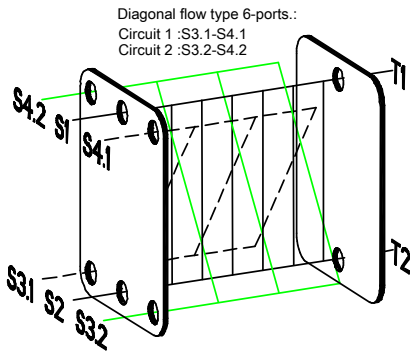


T1 T2 T3.1 T3.2 T4.1 T4.2 locations on back side correspond to S1 S2 S3.1 S3.2 S4.1 S4.2 on front side

Note that all unique customer requirements (i.e tolerance) need to be verified thru Alfa Laval.



HEATING SURFACE
 NETWEIGHT 49.4 kg
 OPERATING WEIGHT kg
 PLATE MATERIAL ALLOY 316
 PLATE GROUPING 1*27HR|1*27HR/1*55HR

ALL DIMENSIONS IN MILLIMETERS

SIDE	MEDIA	INLET	TEMP.	OUTLET	TEMP.	FLOW RATE	PRESSURE DROP	LIQUID VOL.
1		S4.2, T2		S3.2, T1				8.58 dm ³
2		S4.1		S3.1				5.40/5.40 dm ³

PRESSURE VESSEL APPROVAL

UL/CRN

ACH-230DQ-110H-F (3287084571)

www.alfalaval.com

CUSTOMER NAME / REF. NO.

COMPANY / REF.

TOTAL LENGTH 322.4 mm
 TOTAL WIDTH 250.0 mm
 TOTAL HEIGHT 490.0 mm

1/15/2024
 REV 0

