

Alfa Laval LKSF

Filters and strainers

Introduction

The Alfa Laval LKSF Slot Strainer is a filter which separates solid matter from liquid that flows through it. The impurities are stopped by the filter element. When the filter is full of particles, it can be cleaned by removing the clamp and pulling out the filter element.

Application

The LKSF Slot Strainer is designed to fulfil basic filtration duties in hygienic applications across the dairy, food, beverage and brewery industries to protect equipment and product.

Benefits

- Fine filtration
- Easy to install
- Easy to clean
- High durability
- Flexible filter element selection

Standard design

The LKSF Slot Strainer consist of a housing in which the strainer element is fitted centred. There are two types of LKSF Slot Strainers: the LKSF-BL with housing in two parts and the LKSF-CL with housing in three parts for vertical installation.

To allow for quick dismantling for cleaning, the housing is assembled by means of clamps. The upper clamp ring has a wing nut for manual operation. The strainer element has direct access to the end cover with welded handle to facilitate dismantling when cleaning is required.

The strainer element is available from 53 µm to 4 mm. Various male parts are also available to attach the strainer to a process line.

Working principle

Type LKSF-BL: The product enters from the bottom. The filter element captures impurities. When the filter is full of particles, it can be cleaned by removing the clamp and pulling out the filter element. It is also possible to reverse the flow and flush out the impurities (backflush).

Type LKSF-CL: The product enters the filter from the side. Most of the impurities collect at the bottom and can be manually emptied during operation via a valve. Automatic discharge is also possible using two remote controlled valves



at B. The upper valve is open during operation and the lower is closed. The impurities will collect between the two valves. Closing the upper valve and opening the lower one will empty the impurities with minimal product loss.

The filter can be cleaned as LKSF-BL. The degree of filtering can be altered by changing filter element. Strainer type LKSF-CL must always be installed vertically. The filtration degree may be immediately adjusted by changing the strainer element.

TECHNICAL DATA

Pressure

Max. working pressure. (20 °C): 1000 kPa (10 bar)

Temperature

Temperature range: -10 to +140 °C (EPDM)

Strainer area: 1100 cm²

Max. Δp in flow direction: 1000 kPa (10 bar)

Capacity: 10-120 m³/h (water) at $\Delta p = 1$ bar



Note!

Separate pressure drop/capacity diagrams are available on request.

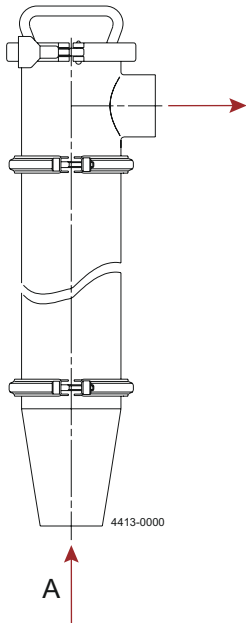


Figure 1. Type LKSF-BL

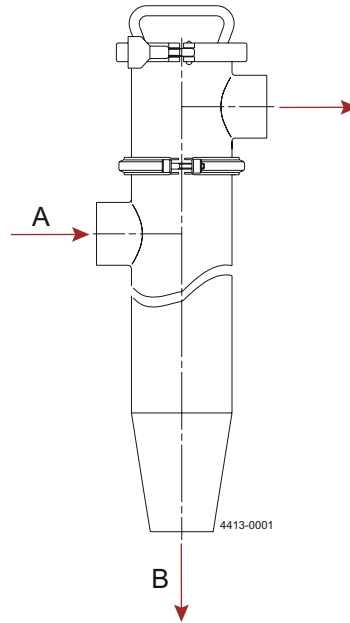


Figure 2. Type LKSF-CL

PHYSICAL DATA

Materials

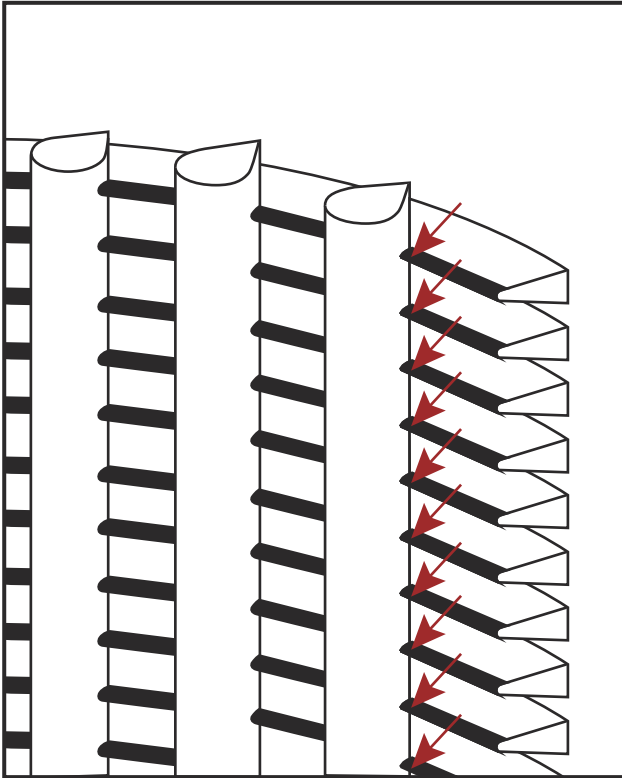
Product wetted steel parts: AISI 316

Other steel parts: AISI 304

Seals: EPDM rubber

Surface finish: Semi bright

The LKSF strainer element is welded at every intersection of vertical rod and surface wire



Ordering

When ordering please specify strainer element, type of male part and position. (See: Connection position).

Strainer elements - available slot sizes

Standard	Option	
74 µm	53 µm	595 µm
105 µm	63 µm	841 µm
177 µm	88 µm	1190 µm
500 µm	125 µm	1410 µm
707 µm	149 µm	1680 µm
1000 µm	210 µm	2380 µm
2000 µm	250 µm	2830 µm
	297 µm	3360 µm
	354 µm	4000 µm
	420 µm	

Additional length mm - for male parts (both types)

Size	25 mm	38 mm	51 mm	63.5 mm	76.1 mm	101.6 mm
DS	18.5	20.0	20.0	24.0	24.0	24.0
SMS	15.0	20.0	20.0	24.0	24.0	35.0
IDF	21.5	21.5	21.5	21.5	21.5	21.5
BS	22.2	22.2	22.2	22.5	22.2	27.0
Clamp	21.5	21.5	21.5	21.5	21.5	21.5
DIN	22.0	22.0	22.0	25.0	30.0	30.0

Connection Position

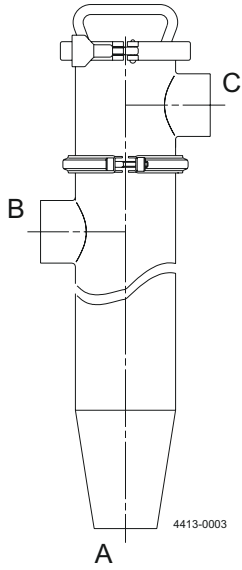


Figure 3. LKSF-CL

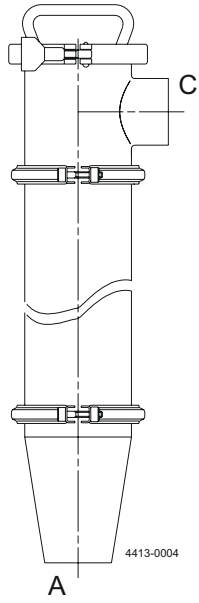


Figure 4. LKSF-BL
(25-76.1 mm)

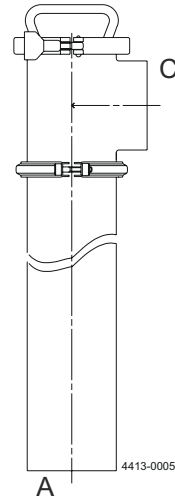


Figure 5. LKSF-BL
(101.6 mm)

Dimensions

Size	25 mm	38 mm	51 mm	63.5 mm	76.1 mm	101.6 mm
A1	727	727	727	727	727	820
A2	852	808	766	727	688	693
B1	632.5	632.5	632.5	632.5	632.5	705
B2	756	712	670	631	592	583
C	130	130	130	130	130	150
OD ₁	25.4	38.1	50.8	63.5	76.2	101.6
ID ₁	22.2	34.9	47.6	60.3	73	97.6
t ₁	1.6	1.6	1.6	1.6	1.6	2
OD ₂	63.5	63.5	63.5	63.5	63.5	63.5
ID ₂	60.3	60.3	60.3	60.5	60.3	60.3
t ₂	1.6	1.6	1.6	1.6	1.6	1.6
OD ₃	25	38	51	63.5	76.1	101.6
ID ₃	22.6	35.6	47.8	60.3	72.1	97.6
t ₃	1.2	1.2	1.6	1.6	2	2
E	86	86	86	86	86	86
Weight (kg)	8.7	9.2	9.0	8.5	9.0	9.5

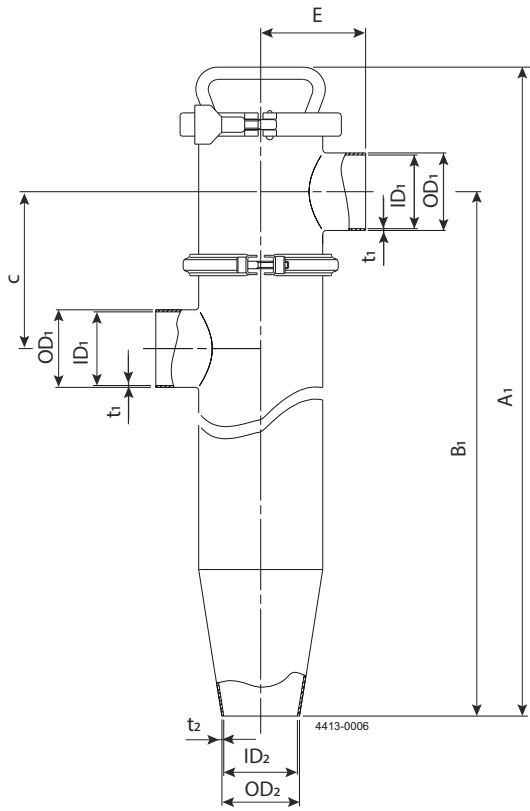


Figure 6. LKSF-CL

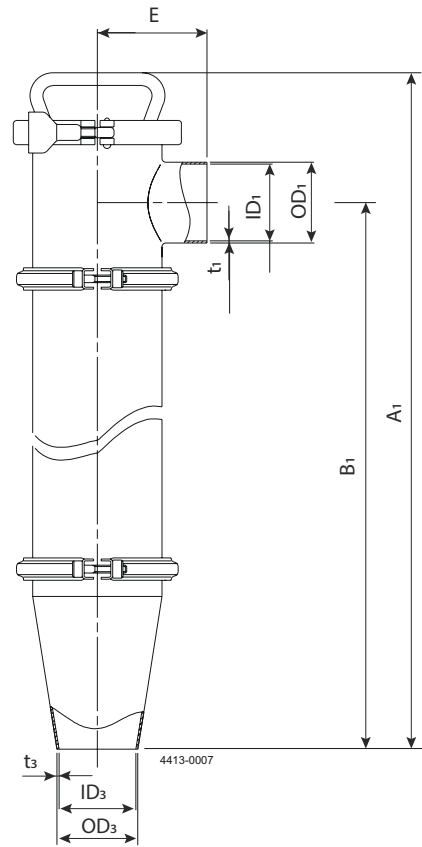


Figure 7. LKSF-BL

This document and its contents are subject to copyrights and other intellectual property rights owned by Alfa Laval AB (publ) or any of its affiliates (jointly "Alfa Laval"). No part of this document may be copied, re-produced or transmitted in any form or by any means, or for any purpose, without Alfa Laval's prior express written permission. Information and services provided in this document are made as a benefit and service to the user, and no representations or warranties are made about the accuracy or suitability of this information and these services for any purpose. All rights are reserved.

How to contact Alfa Laval

Up-to-date Alfa Laval contact details for all countries are always available on our website at www.alfalaval.com