



Alfa Laval Front 15

Gasketed plate-and-frame heat exchanger for hygienic applications

Alfa Laval FrontLine is the premium range of heat exchangers used in dairy, food, beverage and other hygienic applications requiring gentle product treatment, long operating times or superior cleanability. A large range of plate and gasket types is available.

The Clip plate has a chevron type of plate pattern designed for hygienic conditions. The entry points, the distribution area and the shape and pressing depth of the plate pattern give optimal performance.

Applications

- Biotech and Pharmaceutical
- Food and Beverages
- Home and Personal care

Benefits

- Superior hygienic safety – plates designed for food applications
- Gentle treatment of sensitive products
- Uncompromising cleanliness
- Flexible configuration – possible to rebuild the heat exchanger

Features

Every detail is carefully designed to ensure the highest hygienic standards, gentle product treatment and efficient cleaning. Selection of available features:

- 5-point alignment system
- Corner guided alignment system
- Chocolate pattern distribution area
- Clip-on gasket
- Leak chamber
- Bearing box
- Fixed bolt head
- Key hole bolt opening
- Lock washer
- Pressure plate roller
- Connection plate roller
- Interchangeable corners
- Adjustable feet
- 2-point feet support on column
- Tightening bolt cover



Extending performance

with Alfa Laval 360° Service Portfolio

Our extensive services ensure top performance from your Alfa Laval equipment throughout its life cycle. The availability of parts and our team's commitment and expertise bring you peace of mind.

Start-up

- Installation
- Installation Supervision
- Commissioning

Maintenance

- Cleaning Services
- Reconditioning
- Repair
- Service Tools
- Spare Parts

Support

- Exclusive Stock
- Technical Documentation
- Telephone Support
- Training
- Troubleshooting

Improvements

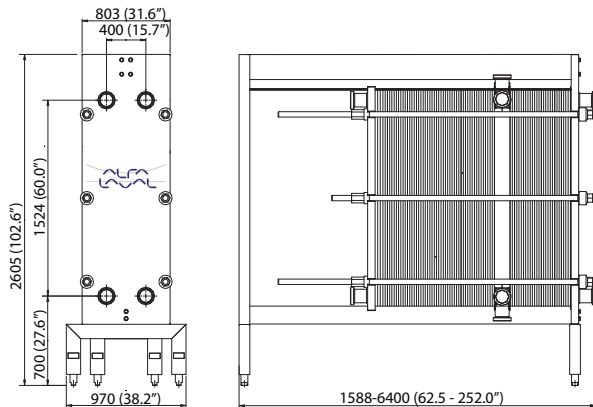
- Equipment Upgrades
- Redesign
- Replacement and Retrofit

Monitoring

- Condition Audit
- Performance Audit

Dimensional drawing

Measurements mm (inches)



Technical data

Plates

Name	Type	Free channel, mm (inches)
Clip 15	Single plate	4.0 (0.16)

Materials

Heat transfer plates	316/316L
Field gaskets	NBR, EPDM
Ring gaskets	NBR, EPDM
Connections	Acid proof stainless steel
Frame and pressure plate	Solid stainless steel, clad stainless steel or surface coated

The plate heat exchanger is manufactured according to 3A certification.

The gaskets are produced in compliance with the regulations of FDA.

Other materials may be available on request.

All option combinations may not be configurable.

Operational data

Frame, PV-code	Max. design pressure (barg/psig)	Max. design temperature (°C/°F)
FRH, PED	16.0/232	160 / 320

Extended pressure and temperature rating may be available on request.

Connections

DIN, SMS, Tri-CLAMP, BS/RJT and IDF/ISO male parts.

How to contact Alfa Laval

Contact details for all countries are continually updated on our website. Please visit www.alfalaval.com to access the information direct.