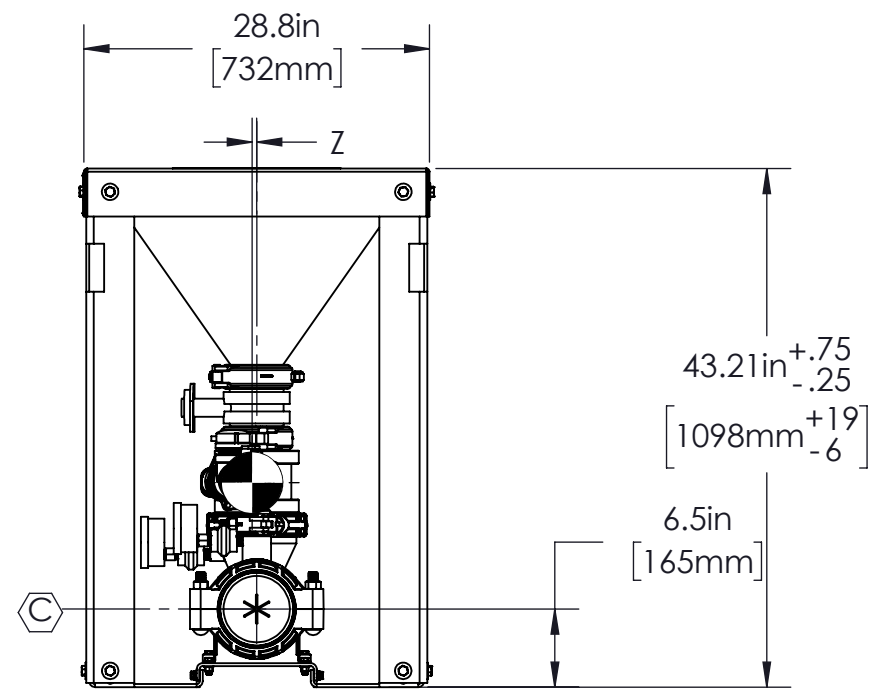
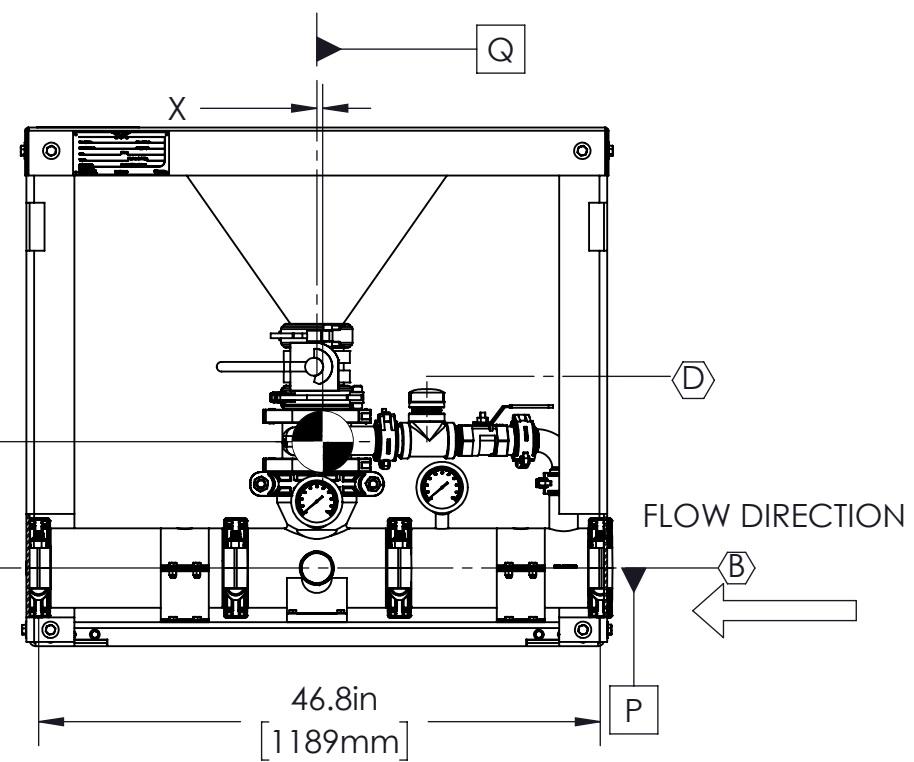
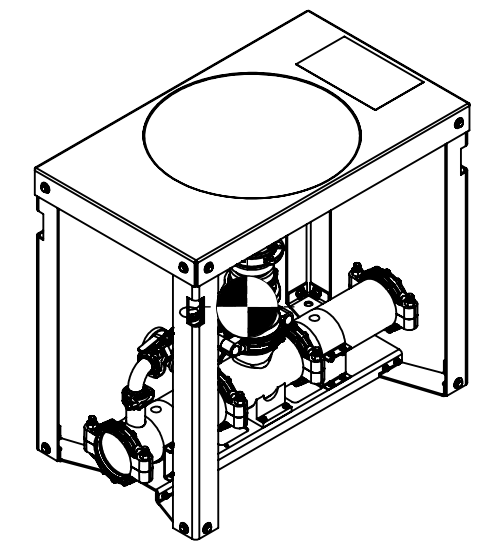
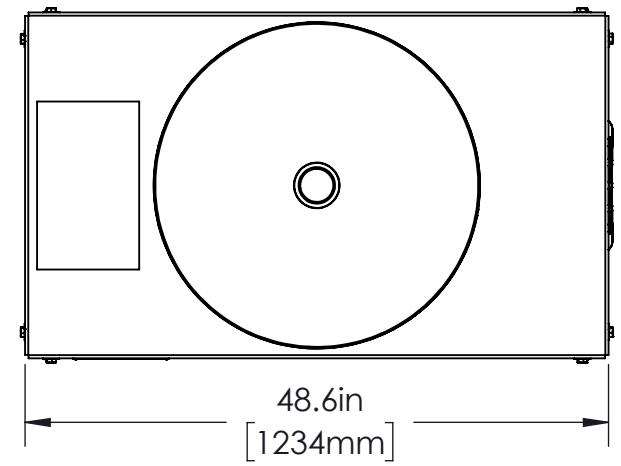


REVISION NOTES			
ECR NUMBER	RELEASE NOTES	DATE	APPROVAL
1072	HOPPER AND LEG UPDATE	11/19/2018	KA



- NOTES:
- PRODUCT CONTAINS PATENTED RADIAL PREMIXER ASSEMBLY FOR PREWETTING (PATENT#6796704)
 - MINIMUM STRAIGHT PIPE LENGTH WITHOUT OBSTRUCTION ON DISCHARGE SIDE TO BE 6X PIPE DIAMETER
 - OLD DRAWING NUMBER: VVE-U6-S-M4
 - READ PRODUCT MANUALS BEFORE INSTALLATION AND OPERATION
 - PRODUCT DETAILS
 - SINGLE ADDITIVE SUCTION PORT
 - 2" (50.8MM) LOBESTAR MIXING NOZZLE® ORIFICE
 - 530-625 GPM MOTIVE FLOW RATE 115-185 FT DIFFERENTIAL HEAD (50 - 80 PSI DIFFERENTIAL PRESSURE WITH WATER)
 - GROOVED END PIPE INLET AND DISCHARGE CONNECTIONS
 - LEFT HAND GAUGE PORT ORIENTATION
 - STAINLESS STEEL SHEAR-MIXER BODY
 - URETHANE INSERTS
 - BUNA GASKETS
 - OPERATING TEMPERATURE: -20°F TO +135°F (-29°C TO +57°C)
 - ESTIMATED WEIGHT (DRY): 468 lbs OR 212 kg

CUSTOMER FIELD CONNECTIONS						
MK. NO.	QUAN	SIZE	RATING	TYPE	SCHEDULE	SERVICE
A	1	6"	N/A	GRV/PIPE	40	BLENDED DISCHARGE
B	1	6"	N/A	GRV/PIPE	40	MOTIVE FLOW INLET
C	1	2"	150#	FNPT	N/A	AUXILIARY PORT
D	1	2"	150#	MNPT	N/A	AUXILIARY PORT

<p>Company Confidential</p> <p>Alfa Laval Inc. 10470 Deer Trail Drive Houston, TX 77038 USA www.alfalaval.com (713) 869-2593</p> <p>This drawing and any information or descriptive material set out on it are the confidential and copyright property of Alfa Laval Inc. © and MUST NOT BE DISCLOSED, COPIED, LOANED in whole or part or used for any purpose without the written permission of Alfa Laval, Inc.</p>	<p>Tolerances: Unless Otherwise Stated: Linear Tol.: .X - = +/- .250 (6.35 mm) .XX - = +/- .188 (4.77 mm) .XXX - = +/- .125 (3.18 mm) Angular Tol.: +/- 1° All Dimensions: in</p>		<p>Workflow: Design Released to Production</p>							
	<p>Finish: N/A</p>		<p>Drawing Scale: 1:2</p>		<p>Drawn by: <i>KA</i></p>		<p>Drawn Date: <i>03/16/2017</i></p>		<p>Old Reference Number: V VE-U-6S-M4</p>	
	<p>Approx Weight: 468 Lbs.</p>		<p>Drawing Produced In Accordance With: ASME Y14.5M-2009</p>		<p>Engineering Approval: <i>KA</i></p>		<p>Approved Date: <i>04/03/2017</i></p>		<p>Part Number: 9984000105</p>	
	<p>Projection Method: THIRD ANGLE</p>		<p>Sheet Size: B</p>		<p>Material: SEE DWG</p>		<p>Sheet: 1 of 2</p>		<p>Drawing Number: 9984000105_SGA</p>	
<p>Revision: B</p>										

C.G LOCATION FROM DATUM P,Q			
CONDITION	X	Y	Z
DRY	.49" (12 mm)	10.54" (268 mm)	.38" (10 mm)
OPERATING	.35" (9 mm)	16.28" (414 mm)	.27" (7 mm)

1 2 3 4 5 6 7 8

A

B

C

D

E

F

A

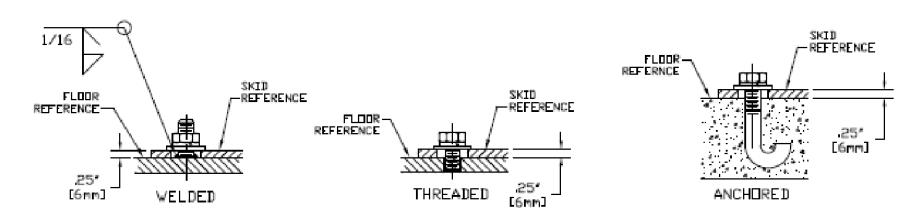
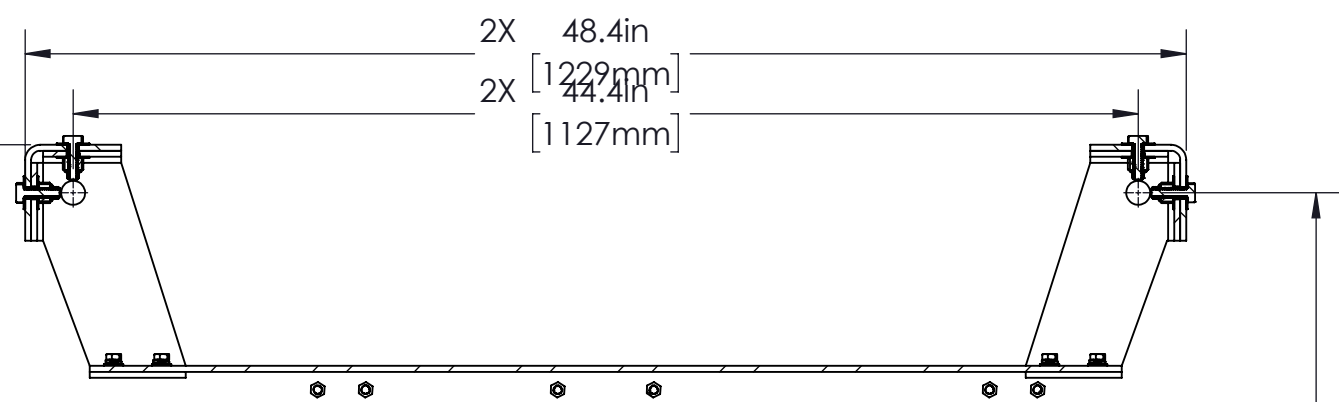
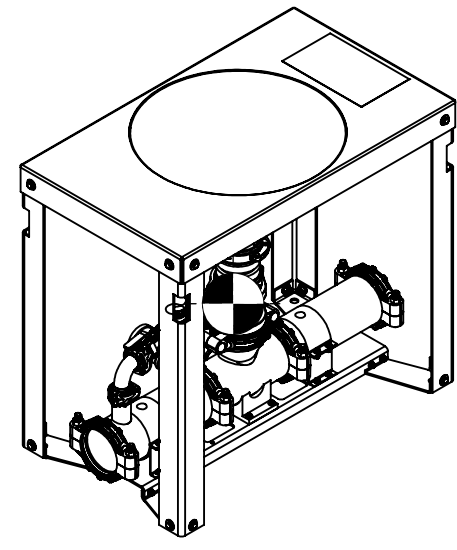
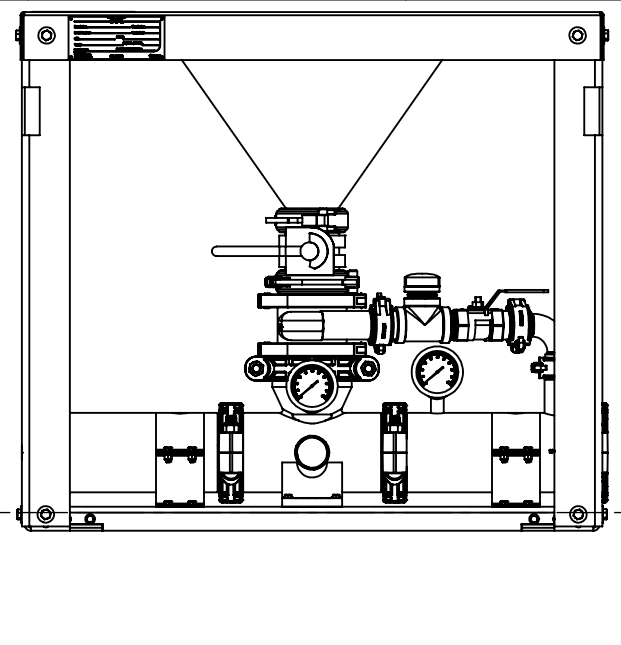
B

C

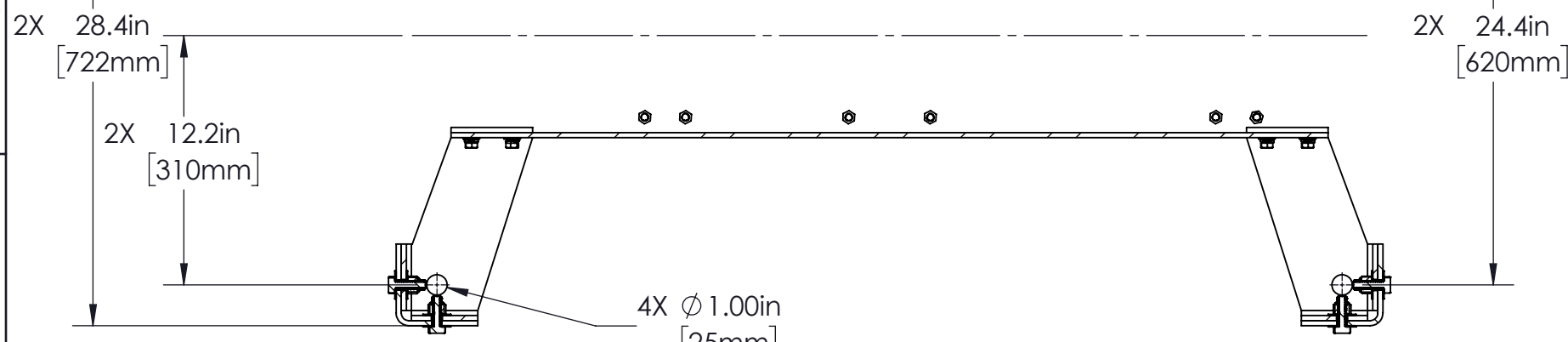
D

E

F



TYPICAL MOUNTING DETAILS



SECTION B-B
SCALE 1 : 8

Company Confidential Alfa Laval Inc. 10470 Deer Trail Drive Houston, TX 77038 USA www.alfalaval.com (713) 869-2593	Tolerances: Unless Otherwise Stated: Linear Tol.: .X - = +/- .250 (6.35 mm) .XX - = +/- .188 (4.77 mm) .XXX - = +/- .125 (3.18 mm) Angular Tol.: +/- 1° All Dimensions: in		Workflow: Design Released to Production			
	Finish: N/A		Drawing Scale: 1:2		Description: SHEAR-MIXER,SM6104_SGA	
This drawing and any information or descriptive material set out on it are the confidential and copyright property of Alfa Laval Inc. © and MUST NOT BE DISCLOSED, COPIED, LOANED in whole or part or used for any purpose without the written permission of Alfa Laval, Inc.	Approx Weight: 468 Lbs.	Drawing Produced In Accordance With: ASME Y14.5M-2009	Drawn by: <i>SCA</i>	Drawn Date: <i>03/16/2017</i>	Old Reference Number: V VE-U-6S-M4	
	Projection Method: THIRD ANGLE	Sheet Size: B	Engineering Approval: <i>SCA</i>	Approved Date: <i>04/03/2017</i>	Part Number: 9984000105	
		Material: SEE DWG	Sheet: 2 of 2	Drawing Number: 9984000105_SGA	Revision: B	

1 2 3 4 5 6 7 8