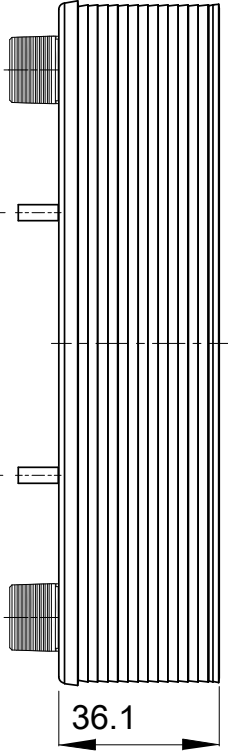
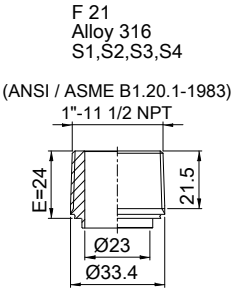


Note that all unique customer requirements (i.e tolerance) need to be verified thru Alfa Laval.

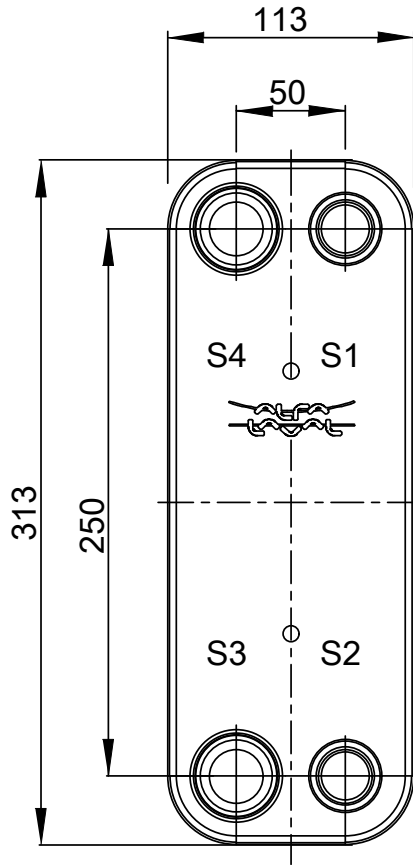
120



36.1



F 21  
Alloy 316  
S1,S2,S3,S4



313

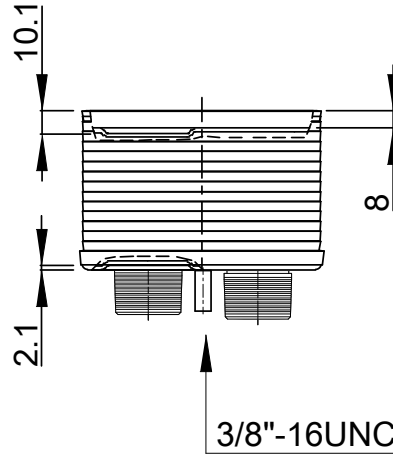
250

113

50

S4 S1

S3 S2



2.1

10.1

8

3/8"-16UNC x 25 (2x)

HEATING SURFACE  
NETWEIGHT 2.6 kg  
OPERATING WEIGHT kg  
PLATE MATERIAL ALLOY 316  
PLATE GROUPING 1\*4H/1\*5H

T1 T2 T3 T4 locations on back side correspond to S1 S2 S3 S4 on front side

ALL DIMENSIONS IN MILLIMETERS

SIDE	MEDIA	INLET	TEMP.	OUTLET	TEMP.	FLOW RATE	PRESSURE DROP	LIQUID VOL.
1		S1		S2				0.27 dm <sup>3</sup>
2		S3		S4				0.22 dm <sup>3</sup>



PRESSURE VESSEL APPROVAL  
CB30-10H (3287099216)

UL/CRN

www.alfalaval.com

CUSTOMER NAME / REF. NO.

COMPANY / REF.

TOTAL LENGTH 62.1 mm  
TOTAL WIDTH 113.0 mm  
TOTAL HEIGHT 313.0 mm

4/16/2024  
REV 0