

Alfa Laval M line 6

Gasketed plate heat exchanger for hygienic applications

Introduction

Alfa Laval M line is a range of gasketed plate-and-frame heat exchangers used in dairy, food, beverage and other hygienic applications. M line is used when the design pressure is above 10 barg (145 psig) or when long plate packs are required. A large range of plate and gasket types is available.

In addition to normal single plate configuration, this model is also available with Gemini double wall plates. Gemini plates are fully cleanable and accessible and are used as an extra precaution to avoid intermixing of fluids.

Applications

- Biotech and Pharmaceutical
- Energy and Utilities
- Food, Dairy and Beverages
- Home and Personal care

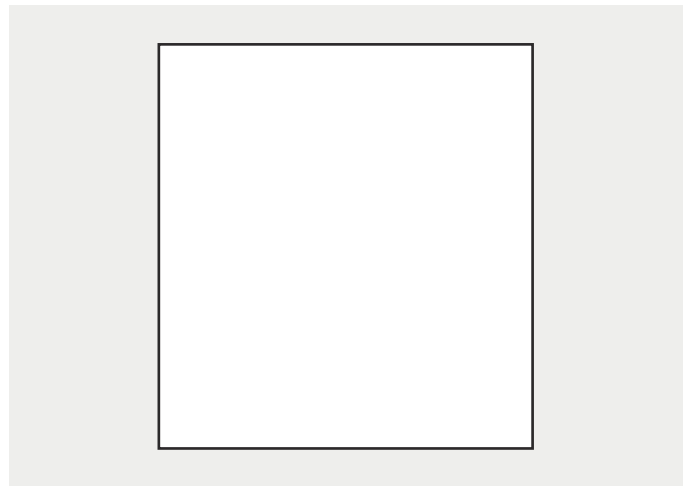
Benefits

- High energy efficiency – low operating cost
- Flexible configuration – heat transfer area can be modified
- Easy to install – compact design
- High serviceability – easy to open for inspection and cleaning and easy to clean by CIP
- Access to Alfa Laval's global service network

Features

Every detail is carefully designed to ensure thermal efficiency, optimal performance and easy cleaning. Selection of available features, depending on configuration some features may not be applicable:

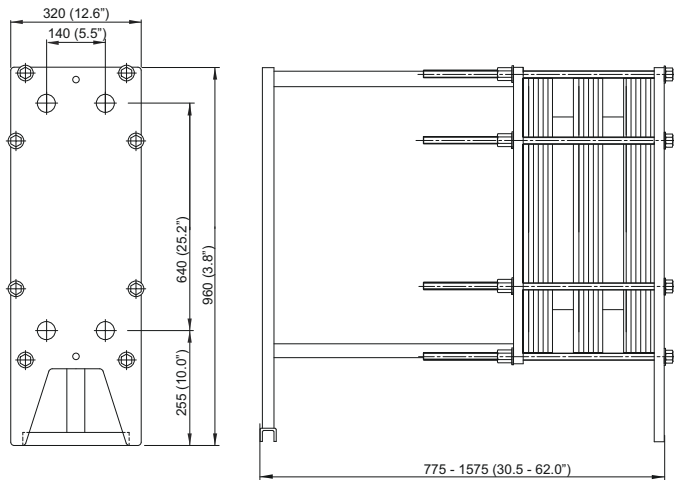
- Corner guided alignment system
- Chocolate pattern distribution area
- Glued gasket
- Clip-on gasket
- Leak chamber
- Fixed bolt head
- Key hole bolt opening
- Lifting lug
- Lining



- Lock washer
- Tightening bolt cover

Dimensional drawing

Measurements mm (inches)



Technical data

Component	Material
Heat transfer plate, Single plate:	316/316L, 254 Alloy C276
Field gasket:	NBR, EPDM
Connections	Acid proof stainless steel
Frame plate and pressure plate:	Solid stainless steel, clad stainless steel or surface coated

Other materials may be available on request.

The plate heat exchanger can be manufactured according to 3A certification.

The gaskets are produced in compliance with the regulations of FDA.

Operational data

Specification	Value
Pressure vessel codes	PED
Temperature range °C (°F)	From -20 to 160 (from -4 to 320)
Pressure range barg (psig)	From absolute vacuum to 25.7 (from absolute vacuum to 372.7)

Extended pressure and temperature rating may be available on request.

Connections

DIN, SMS, Tri-CLAMP, BS/RJT and IDF/ISO male parts.

General remarks for technical information

- The global offering presented in this leaflet may not be available for all regions
- All combinations may not be configurable

Alfa Laval service offering

Our vision is to be your trusted partner for service, driving sustainable performance together. The Alfa Laval portfolio of service offers for Plate Heat Exchangers from start-up of your operations, through operation, process improvements, and replacement. Throughout the lifecycle, we bring you more than 140 years of technical experience and innovative service solutions tailored to your business needs. Easily accessible through our people all over the world.

For information about our complete service offering and how to contact us, please visit www.alfalaval.com/service.

Sustainability at Alfa Laval

At Alfa Laval we are committed to reaching net zero 2050 across our complete value chain. Our products and solutions support our customers to meet sustainability goals, boost circular business, and develop sustainable value chains. We are living our commitments by also setting clear targets to reach net zero emissions in our own operations and to reduce emissions upstream and downstream in our value chains. For more information about our sustainability journey and our sustainability targets aimed to drive efficiency and behavioural change to achieve better results in the short- and long term, please visit www.alfalaval.com/sustainability.

This document and its contents are subject to copyrights and other intellectual property rights owned by Alfa Laval AB (publ) or any of its affiliates (jointly "Alfa Laval"). No part of this document may be copied, re-produced or transmitted in any form or by any means, or for any purpose, without Alfa Laval's prior express written permission. Information and services provided in this document are made as a benefit and service to the user, and no representations or warranties are made about the accuracy or suitability of this information and these services for any purpose. All rights are reserved.

How to contact Alfa Laval

Up-to-date Alfa Laval contact details for all countries are always available on our website at www.alfalaval.com