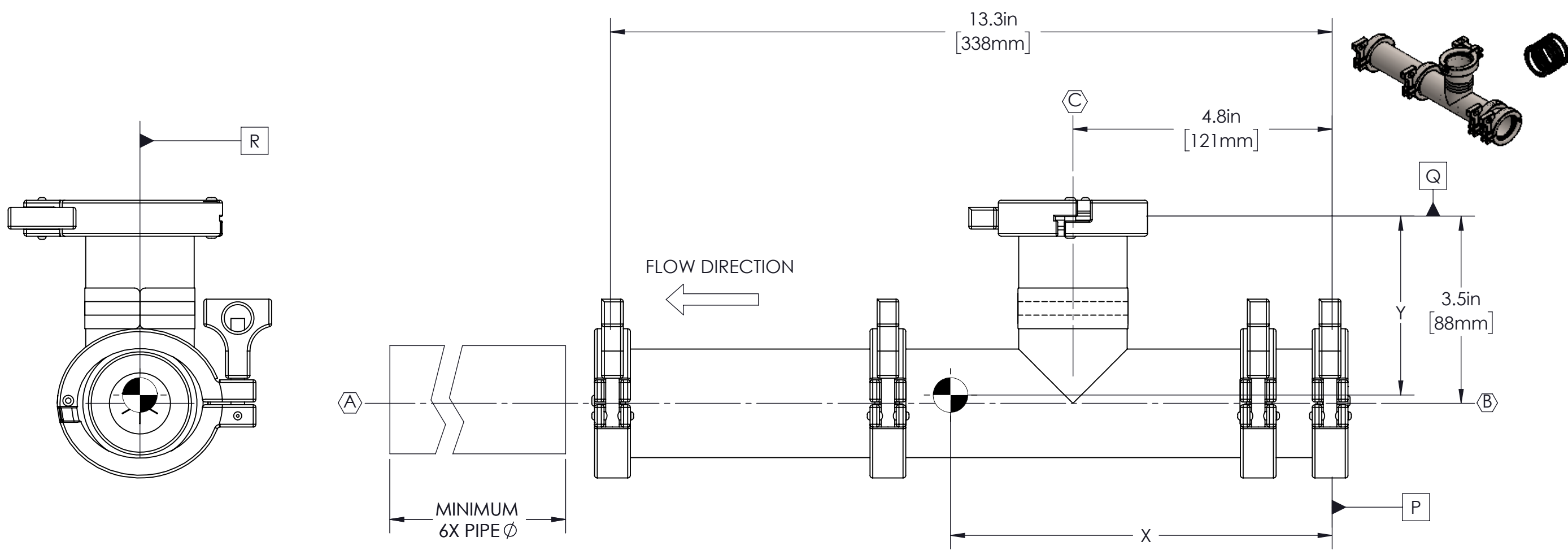


REVISION NOTES			
ECR NUMBER	RELEASE NOTES	DATE	APPROVAL
1139	UPDATE TEMPERATURE DETAILS	08/05/2019	KA



- NOTES:
1. MINIMUM STRAIGHT PIPE LENGTH WITHOUT OBSTRUCTION ON DISCHARGE SIDE TO BE 6X PIPE DIAMETER
 2. ASSEMBLY CONSISTS OF EPDM GASKETS (9984000947) INSTALLED. QTY.5 OF BUNA GASKETS (9984000044) ARE PACKED SEPARATELY AND SUPPLIED ALONG WITH THE SHIPMENT
 3. READ PRODUCT MANUALS BEFORE INSTALLATION AND OPERATION
 4. PRODUCT DETAILS
 - SINGLE ADDITIVE SUCTION PORT
 - 0.75" (19.5mm) LOBESTAR MIXING NOZZLE® ORIFICE
 - 65-85 GPM MOTIVE FLOW RATE AT 100-195 PSI DIFFERENTIAL HEAD (45-85 PSI DIFFERENTIAL PRESSURE WITH WATER)
 - SANITARY TRI-CLAMP INLET AND DISCHARGE CONNECTIONS
 - STAINLESS STEEL SHEAR-MIXER BODY
 - STAINLESS STEEL INSERTS
 - OPERATING TEMPERATURE: -20°F TO +300°F (-29°C TO +149°C) WITH EPDM GASKETS
 - OPERATING TEMPERATURE: -20°F TO +180°F (-29°C TO +82°C) WITH BUNA GASKETS
 - ESTIMATED WEIGHT (DRY): 6lbs OR 2.75 kg

CUSTOMER FIELD CONNECTIONS						
MK. NO.	QUAN	SIZE	RATING	TYPE	SCHEDULE	SERVICE
A	1	2"	N/A	SANITARY	N/A	BLENDED DISCHARGE
B	1	2"	N/A	SANITARY	N/A	FEED INLET
C	1	2"	N/A	SANITARY	N/A	SUCTION

C.G LOCATION FROM DATUM P,Q,R			
CONDITION	X	Y	Z
DRY	7.04 in (179 mm)	3.30 in (84 mm)	0.06 in (1.5 mm)
OPERATING	6.93 in (176 mm)	3.32 in (84 mm)	0.05 in (1 mm)

<p>Company Confidential</p> <p>Alfa Laval Inc. 10470 Deer Trail Drive Houston, TX 77038 USA www.alfalaval.com (713) 869-2593</p> <p>This drawing and any information or descriptive material set out on it are the confidential and copyright property of Alfa Laval Inc. © and MUST NOT BE DISCLOSED, COPIED, LOANED in whole or part or used for any purpose without the written permission of Alfa Laval, Inc.</p>	Tolerances: Unless Otherwise Stated: Linear Tol.: .X - = +/- .250 (6.35 mm) .XX - = +/- .188 (4.77 mm) .XXX - = +/- .125 (3.18 mm) Angular Tol.: +/- 1° All Dimensions: in		Workflow: Design Released to Production		
	Finish: N/A		Drawing Scale: 1:2		Description: SHEAR-MIXER,SM2001_SGA
	Approx Weight: 5.84 Lbs.	Drawing Produced In Accordance With: ASME Y14.5M-2009	Drawn by: <i>XC</i>	Drawn Date: <i>02/06/2019</i>	Old Reference Number: 9984000948
	Projection Method: THIRD ANGLE	Sheet Size: B	Engineering Approval: <i>XC</i>	Approved Date: <i>03/08/2019</i>	Part Number: 9984000948
		Material: SEE BOM	Sheet: 1 of 1	Drawing Number: 9984000948_SGA	Revision: B