

# Alfa Laval Agitators

## Preventive maintenance guidelines

---

### Plan your budget and your downtime

A production stop caused by poor operation or breakdown is costly. Both due to lost product and expensive service.

The most cost-effective way to ensure product safety and production reliability, is to plan and carry out service at scheduled intervals.

Using the Alfa Laval guidelines it is easy to plan the relevant maintenance intervals. You are able to plan your operating budget and the risk of breakdowns is virtually eliminated. Financially, preventive maintenance makes sense.

### Instruction manuals and service videos



Detailed manuals are supplied with every product. Service and maintenance videos have been created to enable you to service Alfa Laval products in a correct and efficient way. Scan the QR code to access the service videos.

### Genuine spare parts and service kits



Alfa Laval Service Kits are available for scheduled maintenance. They contain all the relevant parts needed for general service. Using genuine Alfa Laval spare parts guarantees the right quality and composition of materials. They of course come with full traceability. Scan the QR code to access the spare parts catalogue.

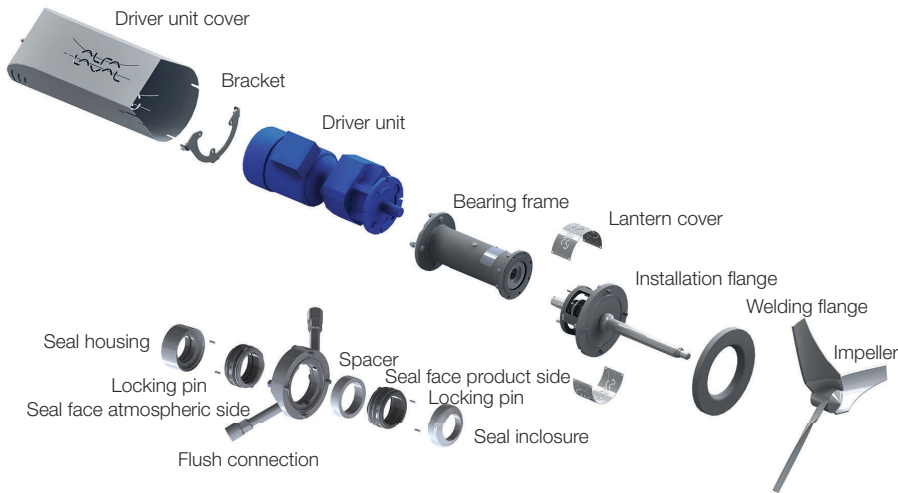
### Alfa Laval service tools

Alfa Laval has the specific tools required to service Alfa Laval hygienic equipment. These include tools for installing, operating and maintaining our hygienic equipment.

Using genuine spare parts ensures your certificates are still valid.



## Example of exploded view – ALS with D-seal



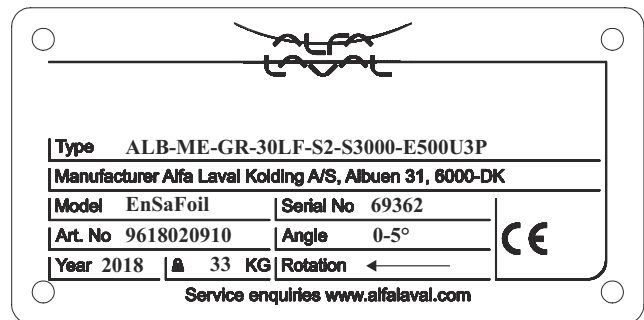
### Inspect the agitator regularly

The Alfa Laval agitator is available in various configurations fit to solve a specific application. To inspect the agitator you need to know the type of agitator and which seals are used. This information is available on the name plate of your agitator. Further information can be obtained online by using the serial number.

### Agitator type definition

Top mounted agitators	Type: ALT
Top mounted agitators with Bottom support	Type: ALTB
Bottom mounted agitators	Type: ALB
Side mounted agitators	Type: ALS

Type of agitator and example of agitator name plate.  
For more information please contact Alfa Laval.



Preventive maintenance aims to prevent failure of equipment by doing e.g. regular lubrication and adjustments. Based on experience and knowledge about the running conditions, it is also possible to replace wear parts before they fail. Keeping a maintenance log is a good way to build experience.

Drive unit/all types of agitator	Supplier Instruction	Inspect/clean/lubricate		
		Weekly	Monthly	Half-yearly
<b>Motor</b>	X			
- Clean surfaces — to avoid overheating		X		
<b>Gear</b>	X			
- Clean vent screw (if any)		X		
- Check for oil leakage		X		
<b>Flange/ all types of agitator</b>	<b>Supplier Instruction</b>	<b>Weekly</b>	<b>Monthly</b>	<b>Half-yearly</b>
- Clean drain			X	
<b>Shaft sealing for ALS/ALB</b>	<b>Supplier Instruction</b>	<b>Weekly</b>	<b>Monthly</b>	<b>Half-yearly</b>
- Not flushed mechanical seal: S1, S2, S3, S3SD			X	
- Flushed mechanical seal: DC,D			X	
<b>Shaft sealing for ALT/ ALTB</b>	<b>Supplier Instruction</b>	<b>Weekly</b>	<b>Monthly</b>	<b>Half-yearly</b>
- Radial seal: R		X		
- V-ring seal: V			X	
- Not flushed mechanical seal: S, S3			X	
- Flushed mechanical seal: DC, D			X	
<b>Bearing frame if any/ all types of agitator</b>	<b>Supplier Instruction</b>	<b>Weekly</b>	<b>Monthly</b>	<b>Half-yearly</b>
- Clean PreVent screw		X		
- Check spider clearance				X
- Check gaskets				X
- Lubricate radial seals				X

Impeller device/ all types of agitator	Supplier Instruction	Weekly	Monthly	Half-yearly
<b>Sticky media</b>				
- Clean impeller device			X	
<b>Abrasive media</b>				
- Check blade thickness*			X	
- Check fastening of pointed set screws			X	

\*If any suspicion of reduction in blade thickness, contact Alfa Laval and inform serial no. stated on the name plate

Guidance/ support for ALT/ ALTB	Supplier Instruction	Weekly	Monthly	Half-yearly
- Shaft rotation — radial movement < 5mm				
- Bushing: BS1, BS3				X
- Bushing: BS1 with Abrasive media			X	
- Bushing: BS2, MS2			X	

### Scheduled maintenance intervals

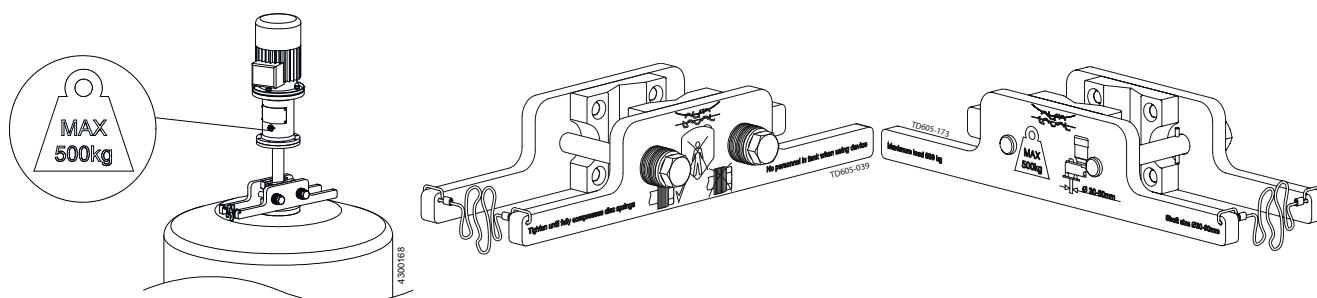
To ensure that your agitator operates efficiently, it is essential to follow a simple preventive maintenance programme, which will keep your machine in good working conditions. Good maintenance requires careful attention at regular intervals. The following recommended preventive maintenance procedures are based on the average operating conditions of most Alfa Laval agitators. However, you will appreciate that a machine, which is subject to rough and dirty conditions, will need more frequent attention than one working in ideal conditions. We trust that you will adjust your maintenance programme to meet the demands of your normal operating conditions.

Shaft sealing for ALS/ALB	Replace every:			
	3000 hours or yearly	3000 hours or every 3rd year	6000 hours or every 3rd year	10000 hours or every 3rd year
- Not flushed mechanical seal: S1, S2, S3			X	
- Mechanical seal/shut down seal: S3SD		X		
- Flushed mechanical seal: DC, D				X
Shaft sealing for ALT/ALTB	3000 hours or yearly	3000 hours or every 3rd year	6000 hours or every 3rd year	10000 hours or every 3rd year
- Radial seal: R	X			
- Gab seal: G				X
- V-ring seal: V	X			
- Not flushed mechanical seal: S, S3		X		
- Flushed mechanical seal: DC, D				X
Bearing frame for ALS/ALB/ALT/ALTB	3000 hours or yearly	3000 hours or every 3rd year	6000 hours or every 3rd year	10000 hours or every 3rd year
- Spider type coupling (if any)				X
- Static seals				X
- Radial seals	X			
- Bearings,rmp700				X
- Bearings,rmp700			X	
Guidance/support for ALT/ALTB	3000 hours or yearly	3000 hours or every 3rd year	6000 hours or every 3rd year	10000 hours or every 3rd year
- Bushing: BS1, BS3			X	
- Bushing: BS2, MS2	X			
- Bushing: BS1, BS2, MS2				Replace if temperature > 100°C

### Agitator service tool example

Shaft retainer tool - a very useful tool during maintenance of top mounted agitators (ALT / ALTB). Designed to support agitators at a weight up to 500 kilogram. For more information please refer to the manual.

Description	Item no.
Shaft diameter between Ø30 and Ø60	TE2608084880



The guidelines may not apply in all working conditions. Please contact Alfa Laval for information relating to specific applications

This document and its contents are subject to copyrights and other intellectual property rights owned by Alfa Laval Corporate AB. No part of this document may be copied, re-produced or transmitted in any form or by any means, or for any purpose, without Alfa Laval Corporate AB's prior express written permission. Information and services provided in this document are made as a benefit and service to the user, and no representations or warranties are made about the accuracy or suitability of this information and these services for any purpose. All rights are reserved.

200008469-1-EN-GB

© Alfa Laval Corporate AB

---

**How to contact Alfa Laval**

Up-to-date Alfa Laval contact details for all countries are always available on our website at [www.alfalaval.com](http://www.alfalaval.com)