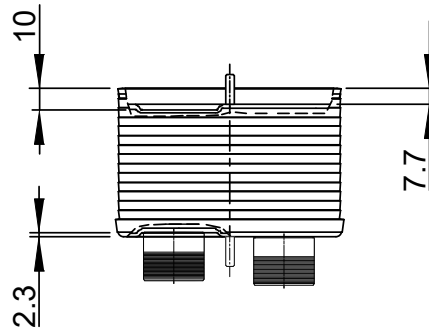
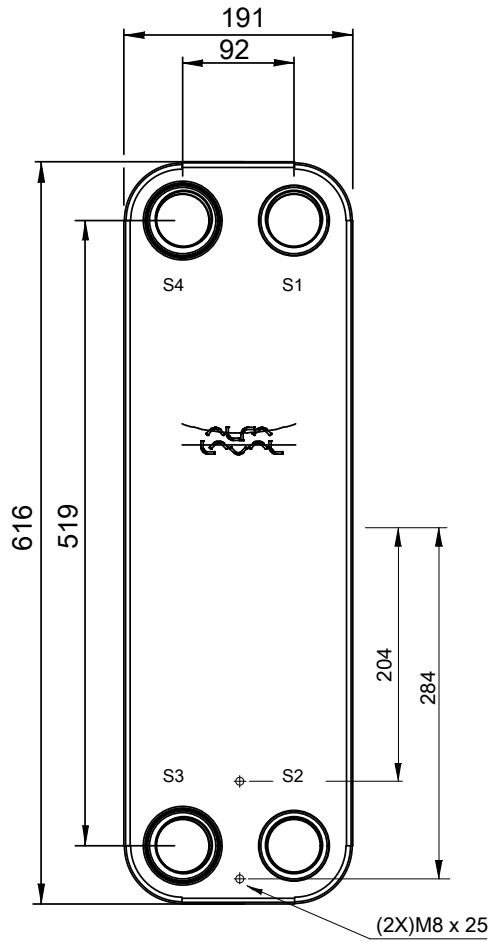
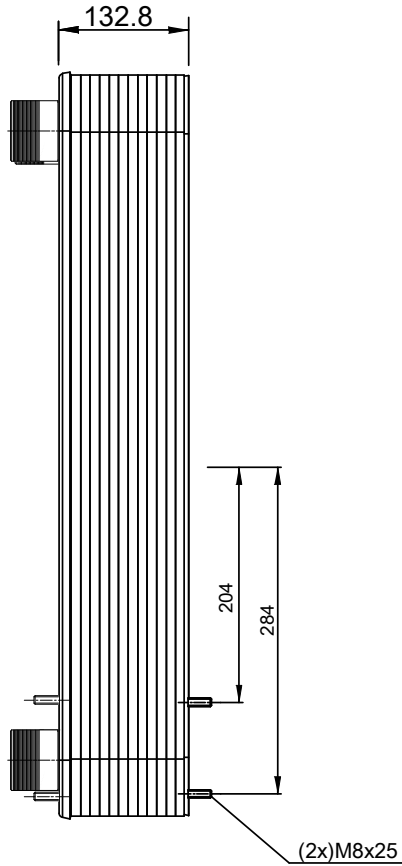
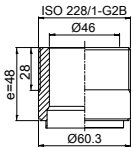


Note that all unique customer requirements (i.e tolerance) need to be verified thru Alfa Laval.



B 23  
Alloy 316  
S1,S2,S3,S4



HEATING SURFACE  
NETWEIGHT 22.7 kg  
OPERATING WEIGHT kg  
PLATE MATERIAL ALLOY 316  
PLATE GROUPING 1\*22ML/1\*23MH

ALL DIMENSIONS IN MILLIMETERS

SIDE	MEDIA	INLET	TEMP.	OUTLET	TEMP.	FLOW RATE	PRESSURE DROP	LIQUID VOL.
1		S1		S2				4.83 dm <sup>3</sup>
2		S3		S4				4.62 dm <sup>3</sup>



PRESSURE VESSEL APPROVAL

PED

CB110-46M (3287101592)

[www.alfalaval.com](http://www.alfalaval.com)

CUSTOMER NAME / REF. NO.

COMPANY / REF.

TOTAL LENGTH 195.8 mm  
TOTAL WIDTH 191.0 mm  
TOTAL HEIGHT 616.0 mm



1/15/2024  
REV 0