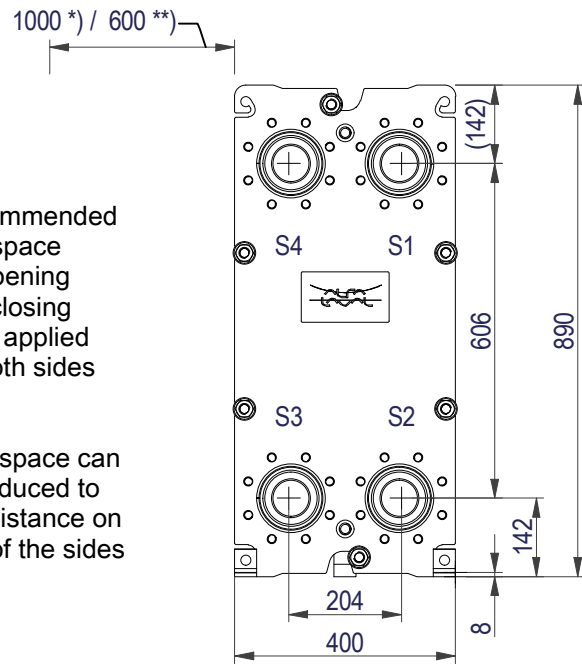


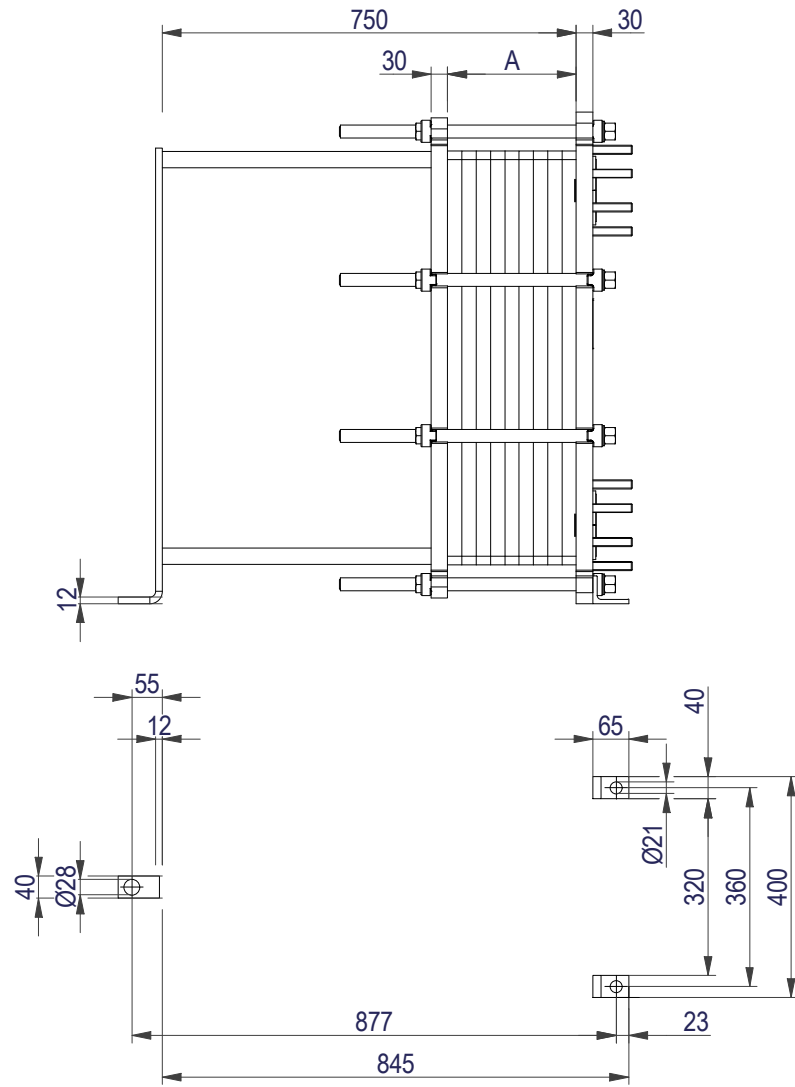
### FRAME PLATE



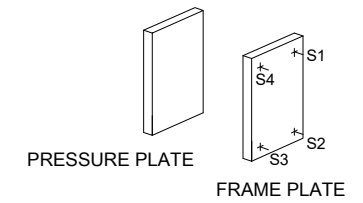
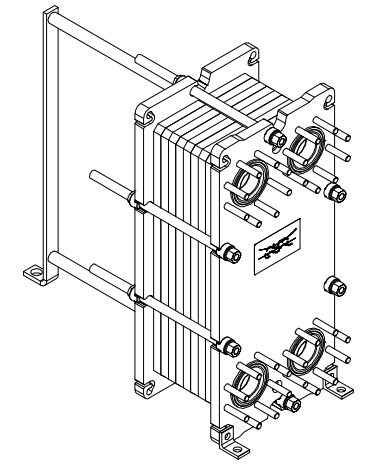
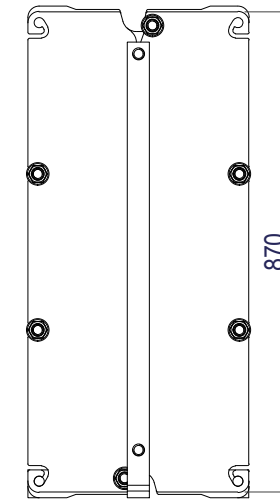
\*) Recommended free space for opening and closing to be applied on both sides

\*\*) Free space can be reduced to this distance on one of the sides

Space between pressure plate and supporting column should be kept free from fixed installations!

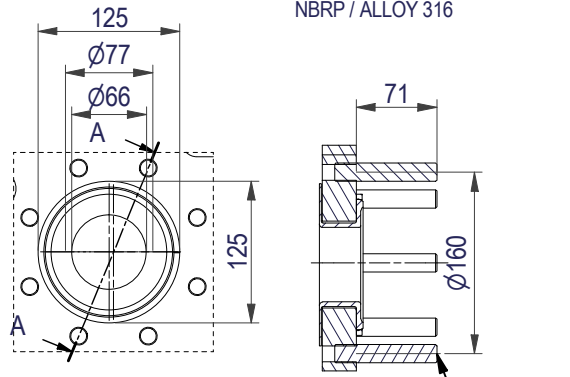


### PRESSURE PLATE (MOVABLE)



EN 1092-1 DN80 PN10  
S1, S2, S3, S4

A-A:  
NBRP / ALLOY 316



All dimensions in millimeters (mm)

NO. OF UNITS

1

APPROX. OUTER DIMENSIONS	
LENGTH	870 mm
WIDTH	410 mm
HEIGHT	900 mm
APPROX. WEIGHTS	
NET WEIGHT, EMPTY	239 kg
WEIGHT FULL OF WATER	281 kg
PLATE MATERIAL	ALLOY 316
PLATE THICKNESS	0.5 mm
GASKET	NBRP ClipGrip™

CHANNEL ARRANGEMENT 1\*29 ML / 1\*30 MH

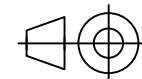


www.alfalaval.com

DRAWING  
GASKETED PLATE HEAT EXCHANGER

# T8-MFM

PED Article 4.3



8240114038

Do not use this drawing for foundation bolting or piping layout

DATE	2/8/22
REVISION	0