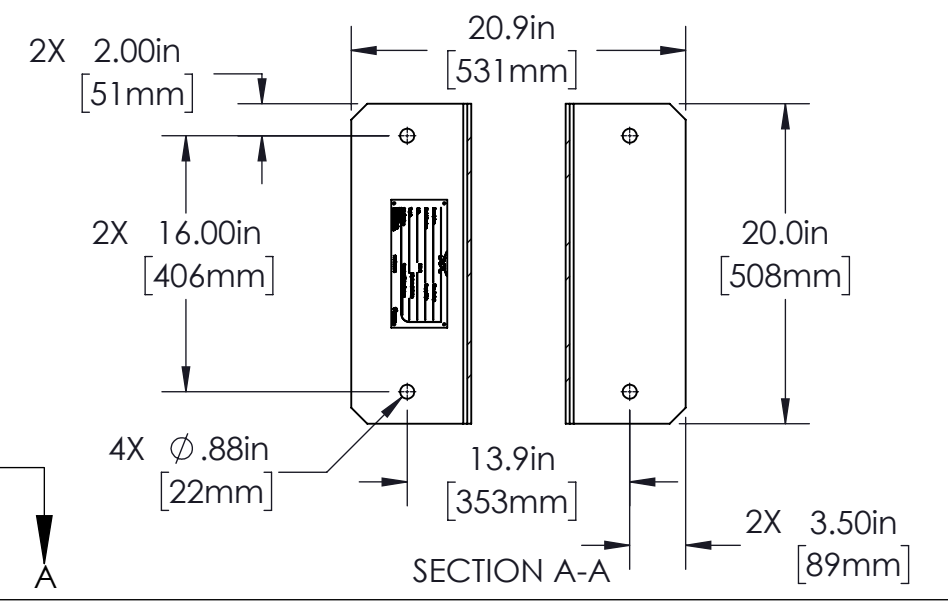
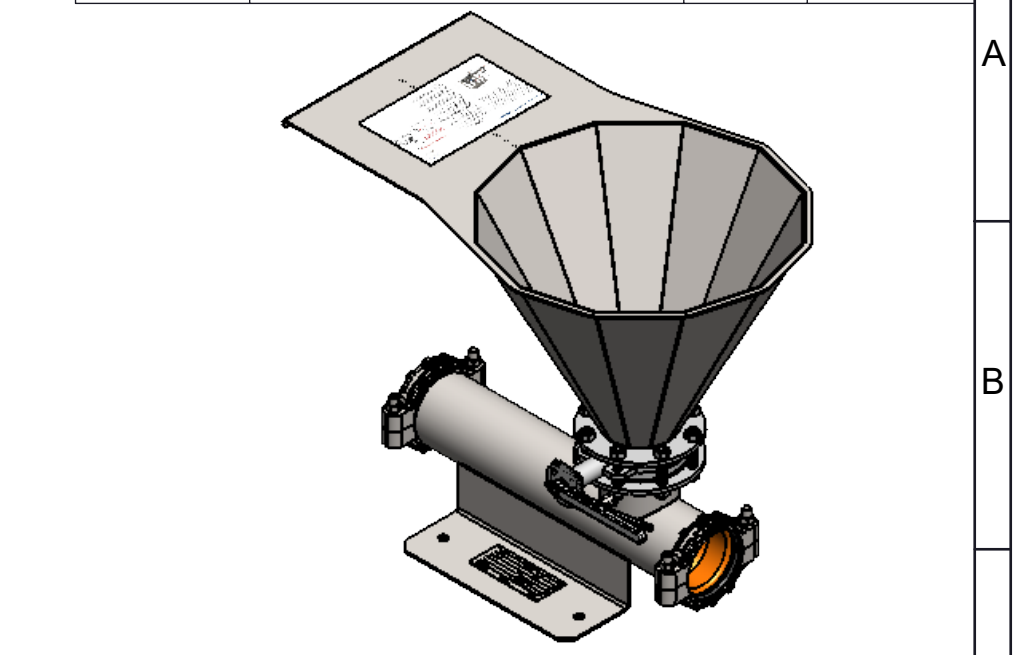
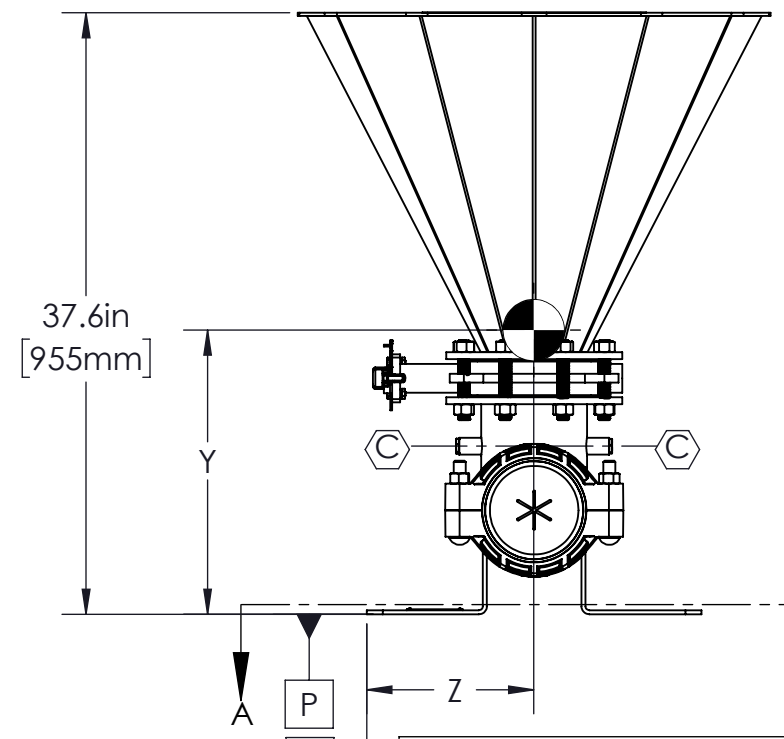
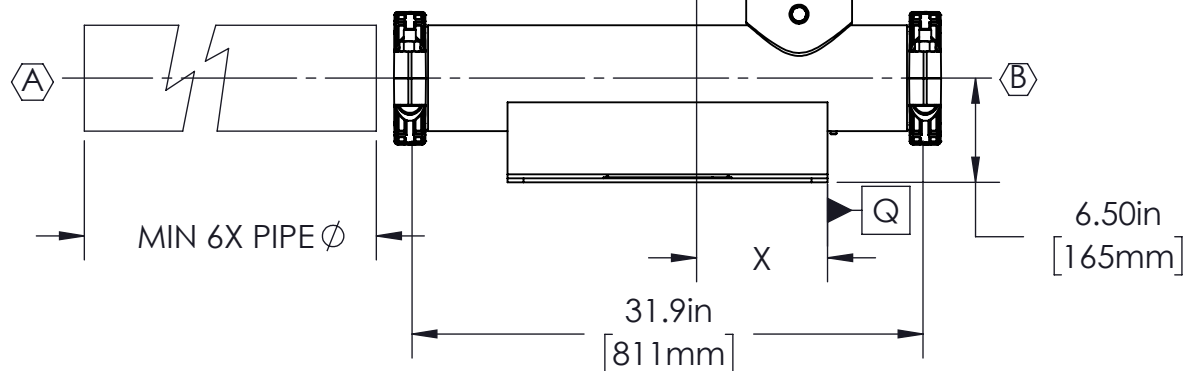
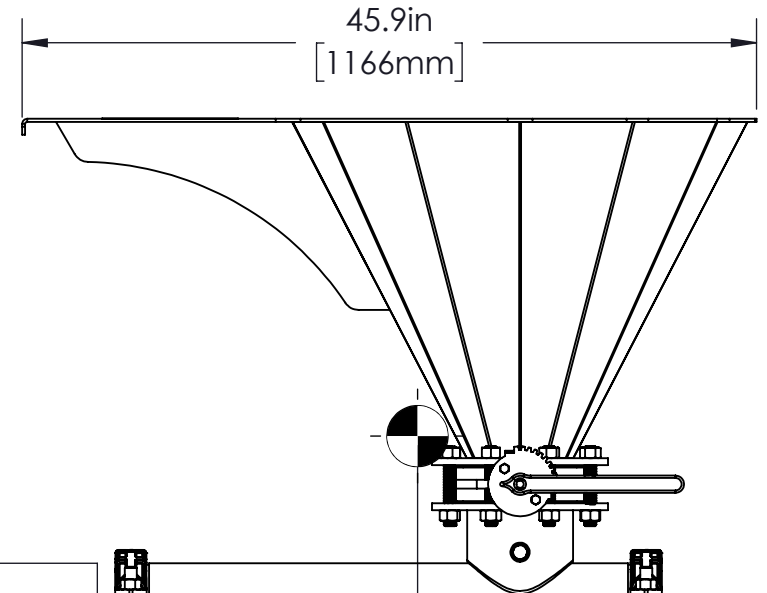
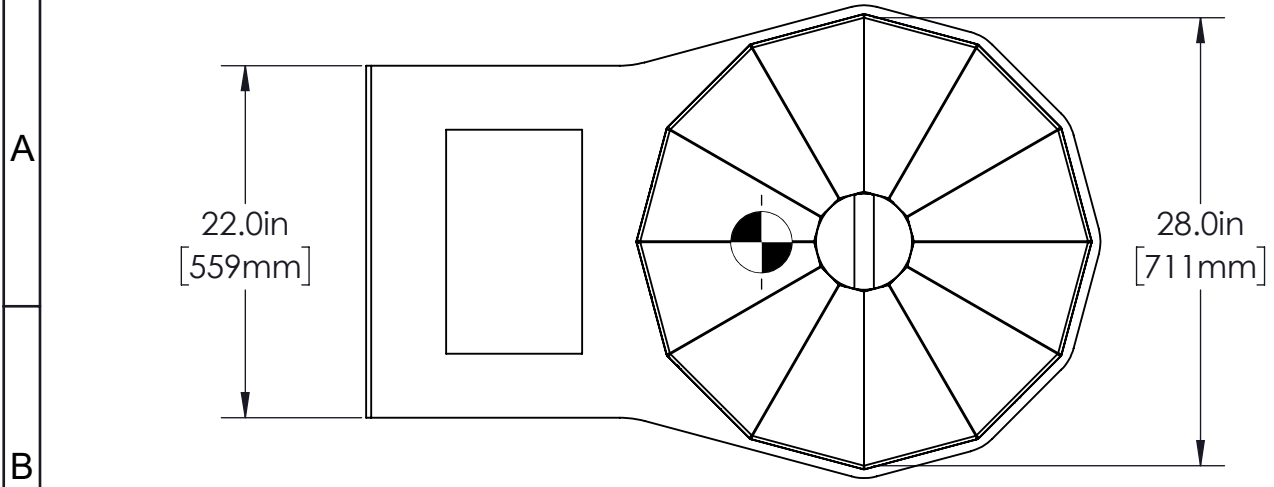


REVISION NOTES			
ECR NUMBER	RELEASE NOTES	DATE	APPROVAL
1124	INITIAL RELEASE	07/18/2019	KA



CUSTOMER FIELD CONNECTIONS						
MK. NO.	QUAN	SIZE	RATING	TYPE	SCHEDULE	SERVICE
A	1	6"	N/A	GRV/PIPE	40	BLENDED DISCHARGE
B	1	6"	N/A	GRV/PIPE	40	MOTIVE FLOW INLET
C	1	1/2"	150#	FNPT	N/A	GAUGE PORT

- NOTES:
- MINIMUM STRAIGHT PIPE LENGTH WITHOUT OBSTRUCTION ON DISCHARGE SIDE TO BE 6X PIPE DIAMETER
 - READ PRODUCT MANUALS BEFORE INSTALLATION AND OPERATION
 - PRODUCT DETAILS
 - SINGLE ADDITIVE SUCTION PORT
 - 2" (50.8MM) LOBESTAR MIXING NOZZLE® ORIFICE
 - 500-620 GPM MOTIVE FLOW RATE AT 115-185 FT DIFFERENTIAL HEAD (50 - 80 PSI DIFFERENTIAL PRESSURE WITH WATER)
 - GROOVED END PIPE INLET AND DISCHARGE CONNECTIONS
 - STAINLESS STEEL SHEAR-MIXER BODY
 - URETHANE INSERTS
 - BUNA GASKETS
 - OPERATING TEMPERATURE: -20°F TO +135°F (-29°C TO +57°C)
 - ESTIMATED WEIGHT (DRY): 256 lbs OR 116 kg

C.G LOCATION FROM DATUM P,Q,R			
CONDITION	X	Y	Z
DRY	8.19" (208mm)	17.76" (451 mm)	10.42" (265 mm)
OPERATING	4.60" (117 mm)	24.33" (618 mm)	10.44" (265 mm)

Company Confidential

Alfa Laval Inc.
10470 Deer Trail Drive
Houston, TX 77038 USA
www.alfalaval.com (713) 869-2593

This drawing and any information or descriptive material set out on it are the confidential and copyright property of Alfa Laval Inc. © and MUST NOT BE DISCLOSED, COPIED, LOANED in whole or part or used for any purpose without the written permission of Alfa Laval, Inc.

Tolerances: Unless Otherwise Stated:
Linear Tol.:
.X - = +/- .250 (6.35 mm)
.XX - = +/- .188 (4.77 mm)
.XXX - = +/- .125 (3.18 mm)
Angular Tol.: +/- 1°
All Dimensions: in

Workflow: **Design Released to Production**

Description: **SHEAR-MIXER,SM6010_SGA**

Finish: ✓	Drawing Scale: 1:12	Drawn by: <i>SCA</i>	Drawn Date: <i>07/16/2019</i>	Old Reference Number: 9984000962
Approx Weight: 256 Lbs.	Drawing Produced In Accordance With: ASME Y14.5M-2009	Engineering Approval: <i>SCA</i>	Approved Date: <i>07/18/2019</i>	Part Number: 9984000962
Projection Method: THIRD ANGLE	Sheet Size: B	Material: SEE BOM	Sheet: 1 of 1	Drawing Number: 9984000962_SGA

Revision: **0**