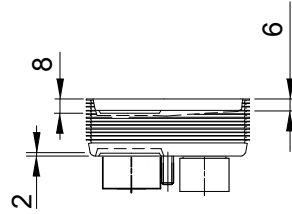
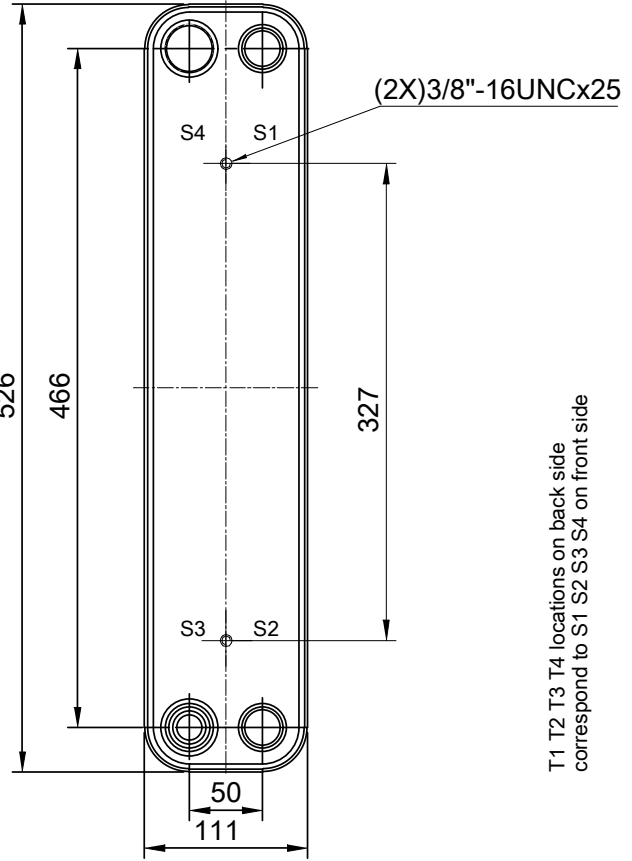
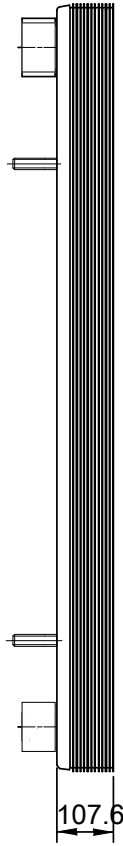
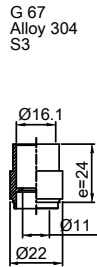
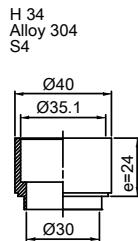
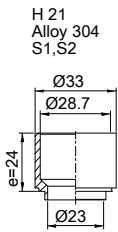


Note that all unique customer requirements (i.e tolerance) need to be verified thru Alfa Laval.



HEATING SURFACE
 NETWEIGHT 9.7 kg
 OPERATING WEIGHT kg
 PLATE MATERIAL ALLOY 316
 PLATE GROUPING 1*20ML/1*21MH

T1 T2 T3 T4 locations on back side correspond to S1 S2 S3 S4 on front side

ALL DIMENSIONS IN MILLIMETERS

SIDE	MEDIA	INLET	TEMP.	OUTLET	TEMP.	FLOW RATE	PRESSURE DROP	LIQUID VOL.
1		S1		S2				2.00 dm ³
2		S3		S4				1.90 dm ³

PRESSURE VESSEL APPROVAL

UL/CRN



ACH-70X-42M-F (3287083720)

www.alfalaval.com

CUSTOMER NAME / REF. NO.

COMPANY / REF.

TOTAL LENGTH 133.6 mm
 TOTAL WIDTH 111.0 mm
 TOTAL HEIGHT 526.0 mm

1/15/2024
 REV 0