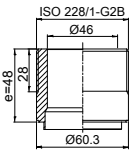
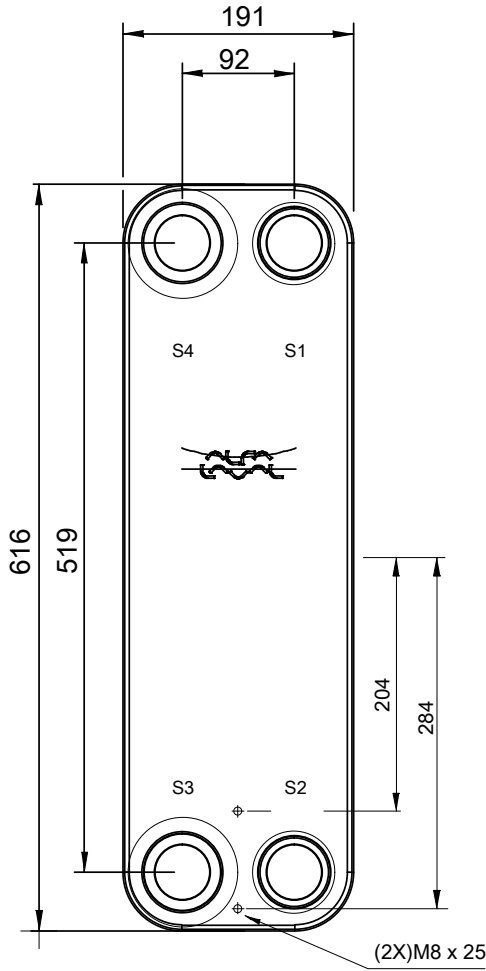
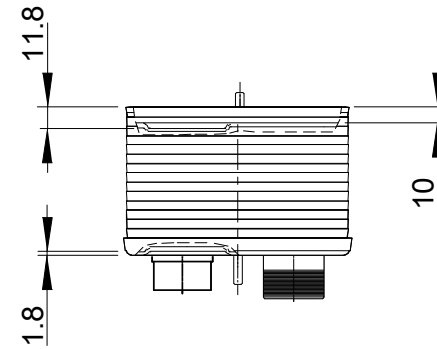
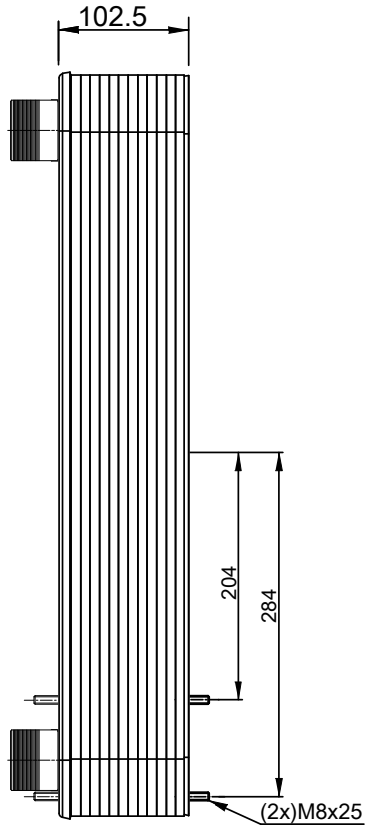
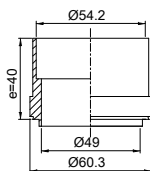


Note that all unique customer requirements (i.e tolerance) need to be verified thru Alfa Laval.

B 23
Alloy 316
S1, S2



D 21
Alloy 316
S3, S4



HEATING SURFACE
NETWEIGHT 20.8 kg
OPERATING WEIGHT kg
PLATE MATERIAL ALLOY 316
PLATE GROUPING 1*20AMH/1*21AML

T1 T2 T3 T4 locations on back side correspond to S1 S2 S3 S4 on front side

ALL DIMENSIONS IN MILLIMETERS

SIDE	MEDIA	INLET	TEMP.	OUTLET	TEMP.	FLOW RATE	PRESSURE DROP	LIQUID VOL.
1		S1		S2				4.20 dm ³
2		S3		S4				3.20 dm ³

PRESSURE VESSEL APPROVAL

PED



CB112-42AM (3287118400)

www.alfalaval.com

CUSTOMER NAME / REF. NO.

COMPANY / REF.

TOTAL LENGTH 169.5 mm
TOTAL WIDTH 191.0 mm
TOTAL HEIGHT 616.0 mm



1/15/2024
REV 0