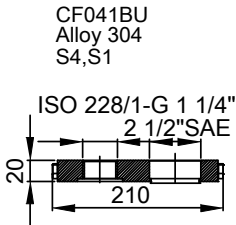
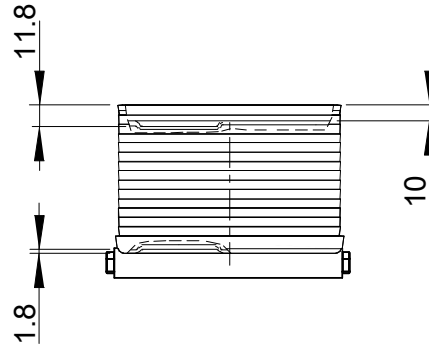
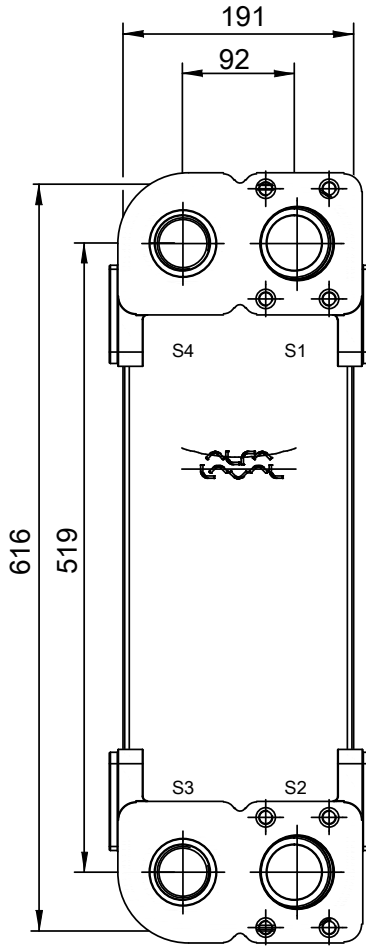
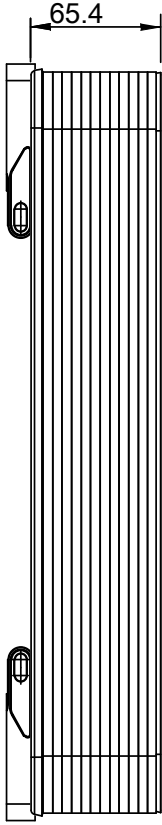
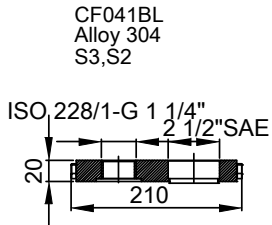


Note that all unique customer requirements (i.e tolerance) need to be verified thru Alfa Laval.



CF041BU
Alloy 304
S4,S1



CF041BL
Alloy 304
S3,S2

HEATING SURFACE
NETWEIGHT 21.6 kg
OPERATING WEIGHT kg
PLATE MATERIAL ALLOY 316
PLATE GROUPING 1*11AMH/1*12AML

T1 T2 T3 T4 locations on back side correspond to S1 S2 S3 S4 on front side

ALL DIMENSIONS IN MILLIMETERS

SIDE	MEDIA	INLET	TEMP.	OUTLET	TEMP.	FLOW RATE	PRESSURE DROP	LIQUID VOL.
1		S1		S2				2.40 dm ³
2		S3		S4				1.76 dm ³



PRESSURE VESSEL APPROVAL PED
DOC112HF-24AM-F (3075026701)

www.alfalaval.com

CUSTOMER NAME / REF. NO.

COMPANY / REF.

TOTAL LENGTH 91.4 mm
TOTAL WIDTH 191.0 mm
TOTAL HEIGHT 616.0 mm



4/16/2024
REV 0