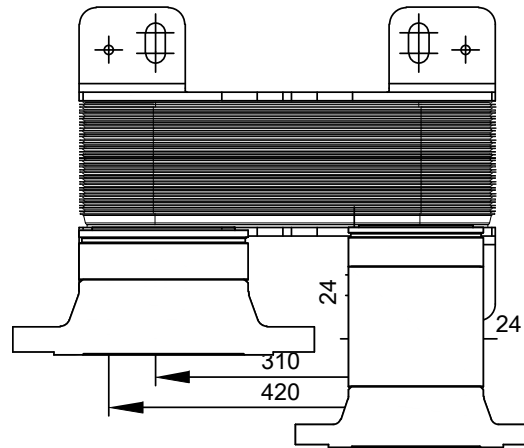
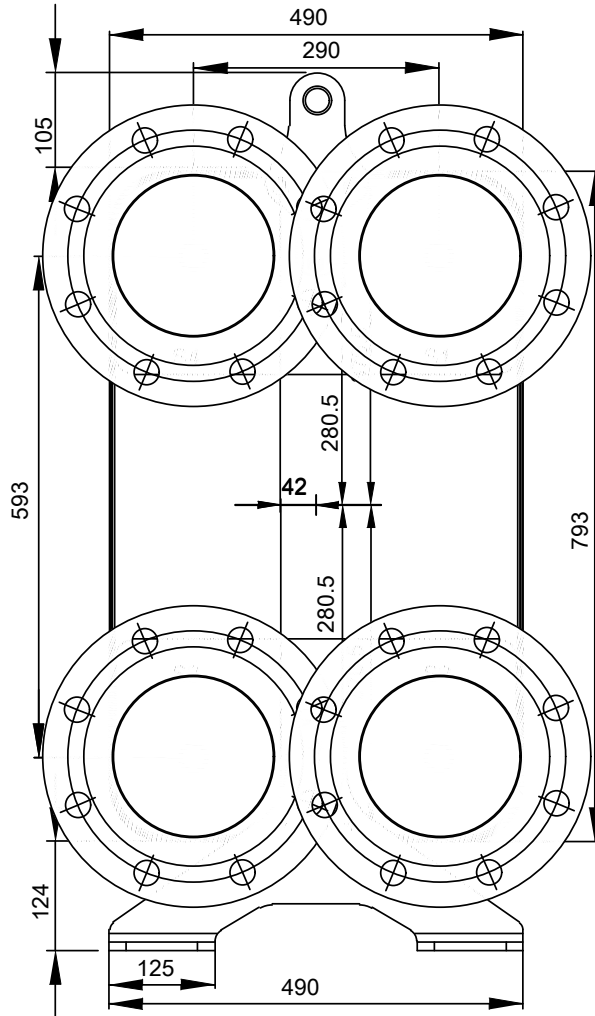
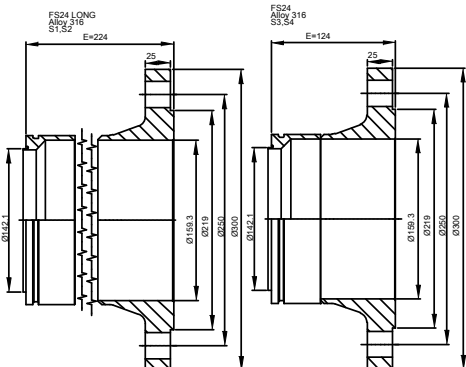
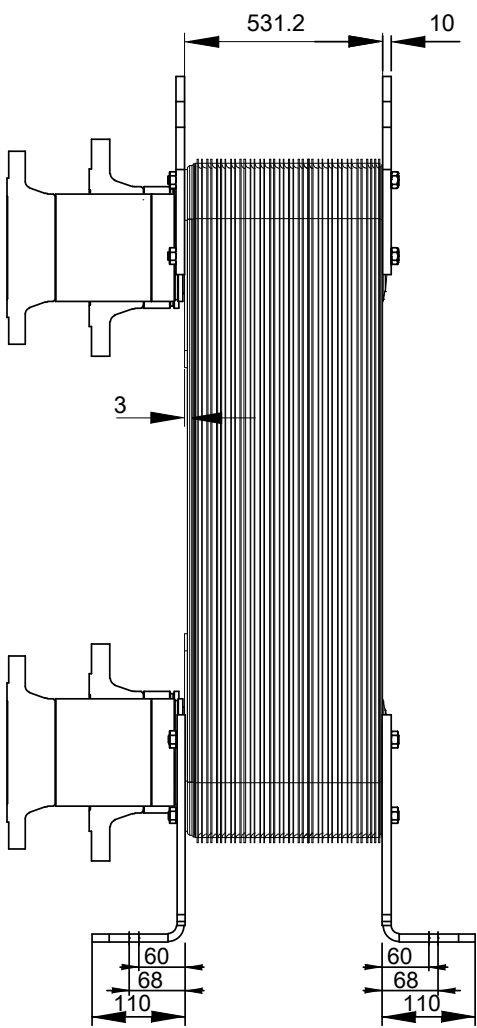


Note that all unique customer requirements (i.e tolerance) need to be verified thru Alfa Laval.



HEATING SURFACE
 NETWEIGHT 357.0 kg
 OPERATING WEIGHT kg
 PLATE MATERIAL ALLOY 316
 PLATE GROUPING 1*119H/1*120H

T1, T2, T3, 1, T3.2, T4, 1, T4.2 locations on back side correspond to S1, S2, S3, 1, S3.2, S4, 1, S4.2 on front side

ALL DIMENSIONS IN MILLIMETERS

SIDE	MEDIA	INLET	TEMP.	OUTLET	TEMP.	FLOW RATE	PRESSURE DROP	LIQUID VOL.
1		S2		S1				82.8 dm ³
2		S4		S3				82.1 dm ³

PRESSURE VESSEL APPROVAL

PED



CBH410-240H-F (3075035895)

www.alfalaval.com

CUSTOMER NAME / REF. NO.

TOTAL LENGTH 865.2 mm
 TOTAL WIDTH 490.0 mm
 TOTAL HEIGHT 1022.0 mm

COMPANY / REF.



4/16/2024
 REV 0