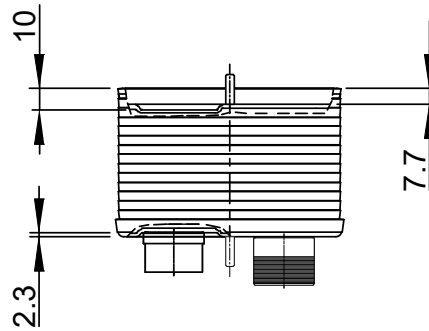
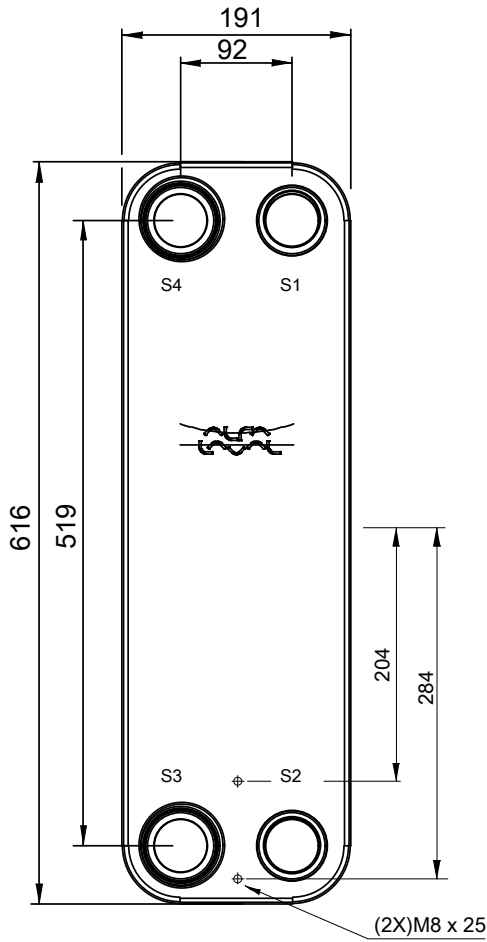
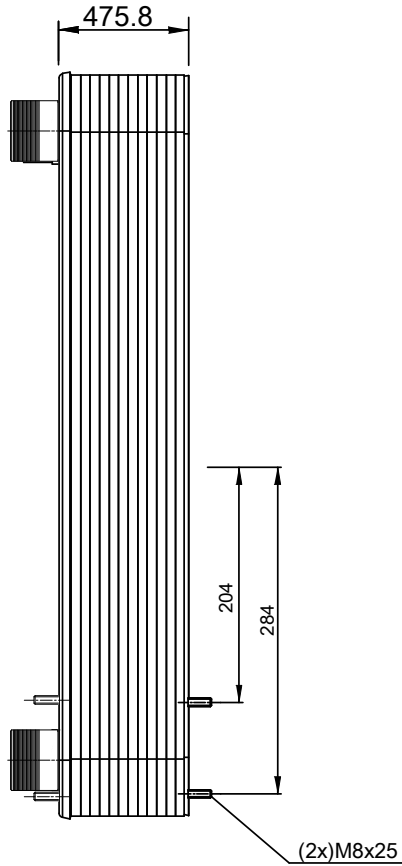
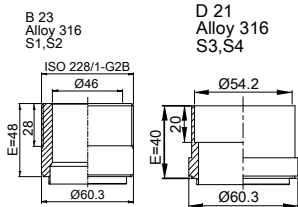


Note that all unique customer requirements (i.e tolerance) need to be verified thru Alfa Laval.



HEATING SURFACE  
NETWEIGHT 75.4 kg  
OPERATING WEIGHT kg  
PLATE MATERIAL ALLOY 316  
PLATE GROUPING 1\*89L/1\*90L

ALL DIMENSIONS IN MILLIMETERS

SIDE	MEDIA	INLET	TEMP.	OUTLET	TEMP.	FLOW RATE	PRESSURE DROP	LIQUID VOL.
1		S1		S2				18.9 dm <sup>3</sup>
2		S3		S4				18.7 dm <sup>3</sup>

PRESSURE VESSEL APPROVAL

PED

CB110-180L (3287155100)

www.alfalaval.com

CUSTOMER NAME / REF. NO.

COMPANY / REF.

TOTAL LENGTH  
TOTAL WIDTH  
TOTAL HEIGHT

538.8 mm  
191.0 mm  
616.0 mm



4/16/2024  
REV 0