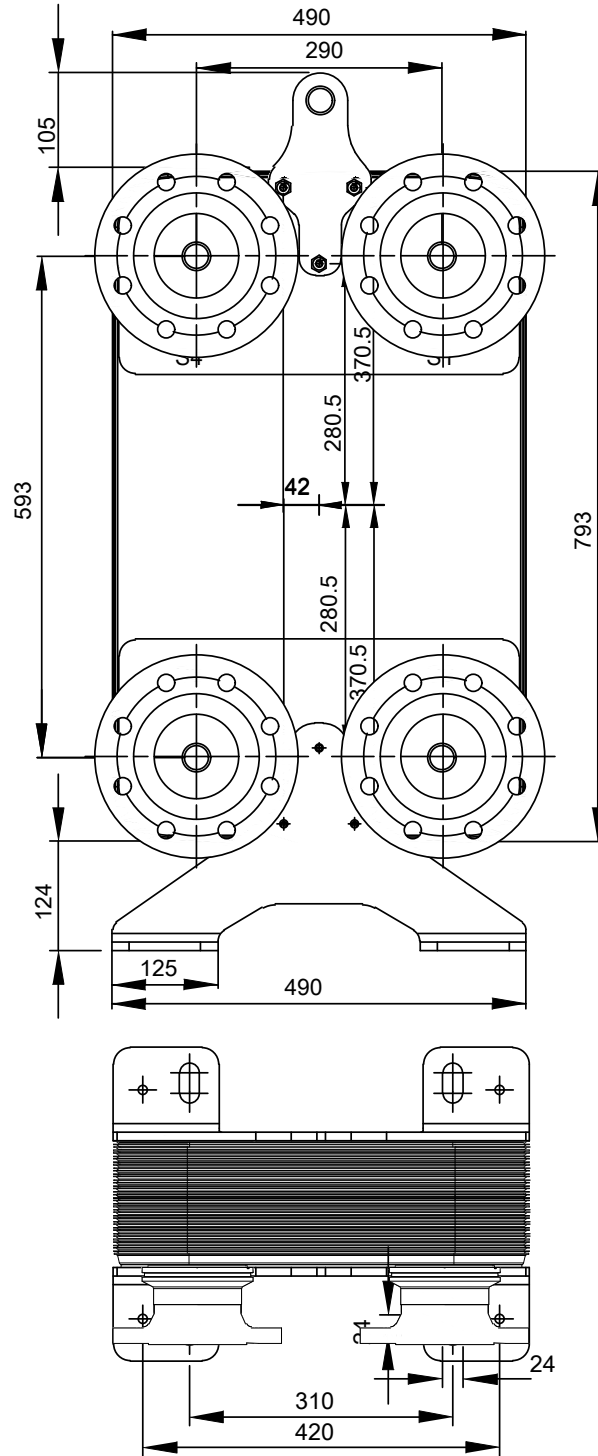
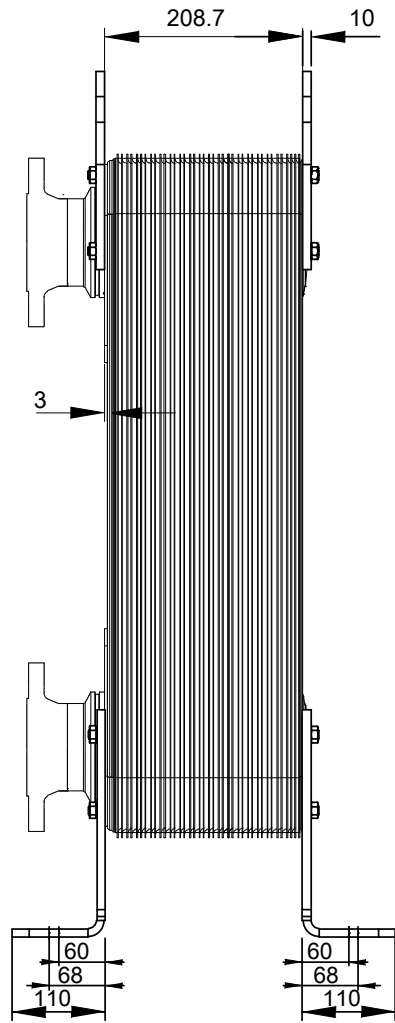
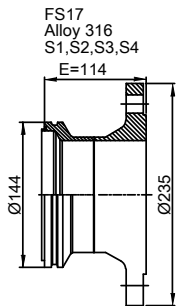


Note that all unique customer requirements (i.e tolerance) need to be verified thru Alfa Laval.



HEATING SURFACE  
 NETWEIGHT 162.9 kg  
 OPERATING WEIGHT kg  
 PLATE MATERIAL ALLOY 316  
 PLATE GROUPING 1\*44ML/1\*45MH

T1 T2 T3.1 T3.2 T4.1 T4.2 locations on back side  
 correspond to S1 S2 S3.1 S3.2 S4.1 S4.2 on front side

ALL DIMENSIONS IN MILLIMETERS

SIDE	MEDIA	INLET	TEMP.	OUTLET	TEMP.	FLOW RATE	PRESSURE DROP	LIQUID VOL.
1		S2		S1				31.1 dm <sup>3</sup>
2		S4		S3				30.4 dm <sup>3</sup>

PRESSURE VESSEL APPROVAL PED

CBH410-90M-F (3075035848)

www.alfalaval.com

CUSTOMER NAME / REF. NO.

TOTAL LENGTH 432.7 mm  
 TOTAL WIDTH 490.0 mm  
 TOTAL HEIGHT 1022.0 mm

COMPANY / REF.



4/16/2024  
 REV 0