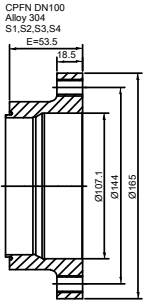
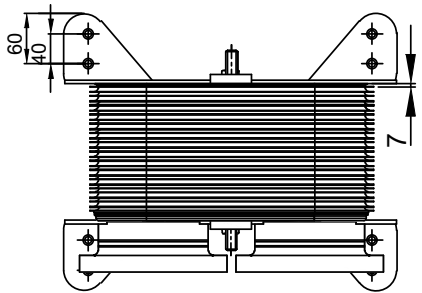
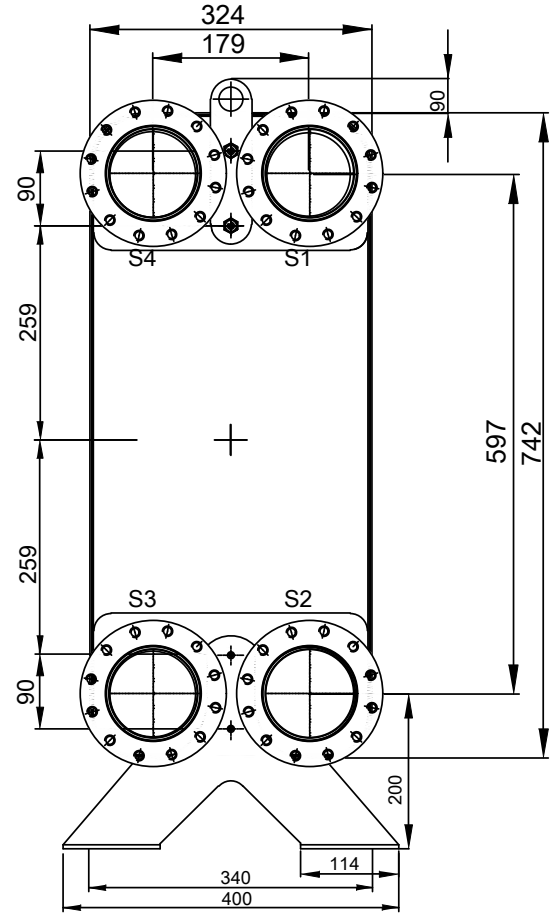
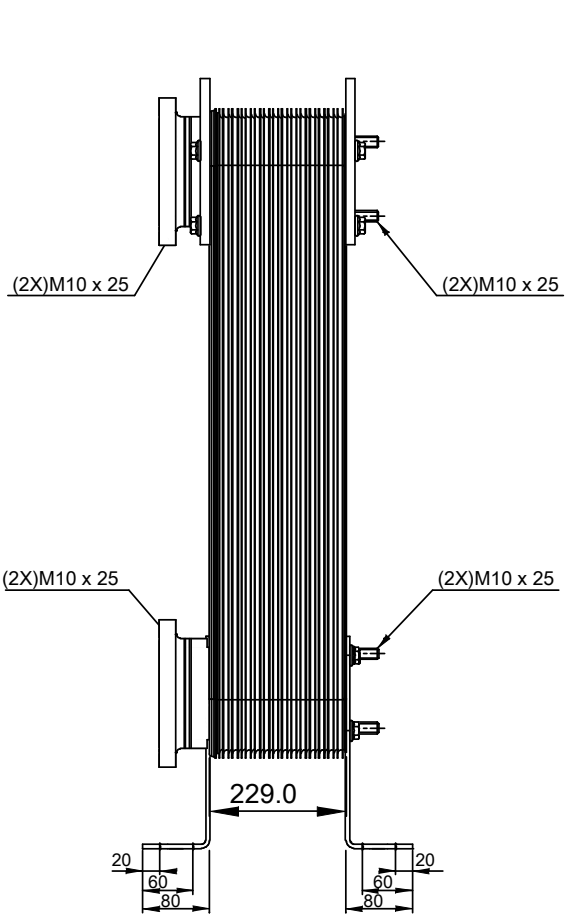


# HEATING INSULATION INCLUDED

Thickness: 45 mm



HEATING SURFACE  
 NETWEIGHT 85.6 kg  
 OPERATING WEIGHT kg  
 PLATE MATERIAL ALLOY 316  
 PLATE GROUPING 1\*49H/1\*50H

T1 T2 T3 T4 locations on back side correspond to S1 S2 S3 S4 on front side

ALL DIMENSIONS IN MILLIMETERS

SIDE	MEDIA	INLET	TEMP.	OUTLET	TEMP.	FLOW RATE	PRESSURE DROP	LIQUID VOL.
1		S1		S2				25.1 dm³
2		S3		S4				24.6 dm³

Note that all unique customer requirements (i.e tolerance) need to be verified thru Alfa Laval.

PRESSURE VESSEL APPROVAL PED/UK  
 CB210-100H-F (3075039302)

www.alfalaval.com

CUSTOMER NAME / REF. NO.  
 COMPANY / REF.

TOTAL LENGTH 389.0 mm  
 TOTAL WIDTH 324.0 mm  
 TOTAL HEIGHT 959.0 mm



4/16/2024  
 REV 0