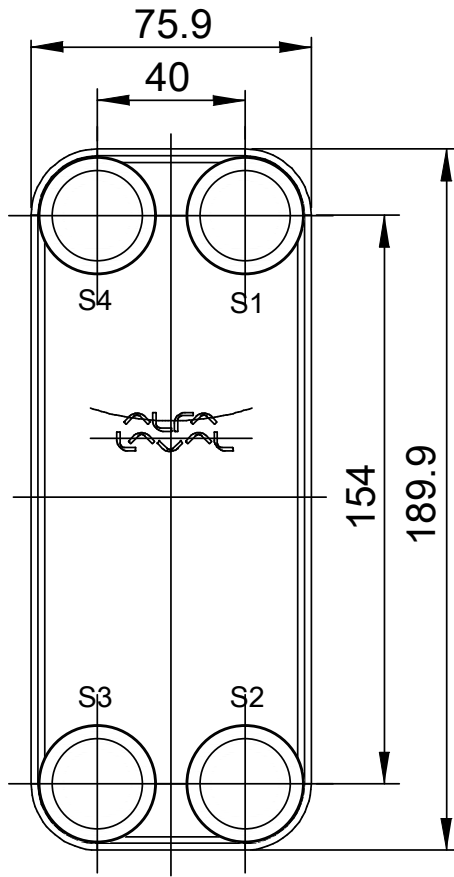
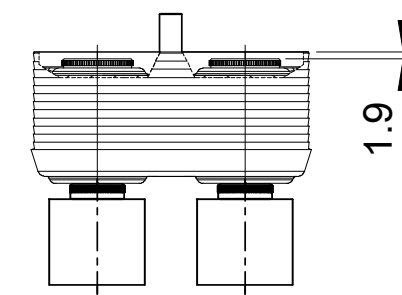
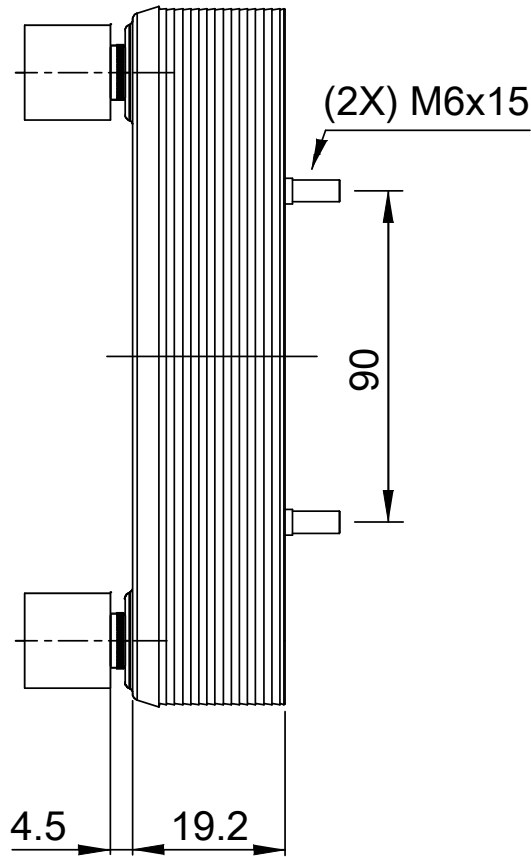
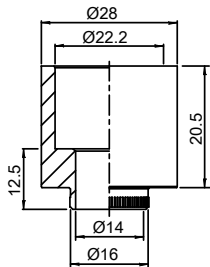


Note that all unique customer requirements (i.e tolerance) need to be verified thru Alfa Laval.

AX18
Alloy 304
S1,S2,S3,S4



T1 T2 T3 T4 locations on back side correspond to S1 S2 S3 S4 on front side

HEATING SURFACE
NETWEIGHT 1.1 kg
OPERATING WEIGHT kg
PLATE MATERIAL ALLOY 316
PLATE GROUPING 1*4H/1*5H

ALL DIMENSIONS IN MILLIMETERS

SIDE	MEDIA	INLET	TEMP.	OUTLET	TEMP.	FLOW RATE	PRESSURE DROP	LIQUID VOL.
1		S1		S2				0.05 dm ³
2		S3		S4				0.04 dm ³

PRESSURE VESSEL APPROVAL

PED 150 degr C/UK



AXP14-10H-F (3287093755)

www.alfalaval.com

CUSTOMER NAME / REF. NO.

TOTAL LENGTH 59.2 mm
TOTAL WIDTH 76.0 mm
TOTAL HEIGHT 190.0 mm

COMPANY / REF.

4/16/2024
REV 0