

Alfa Laval Unique DV-ST

ThinkTop adaptor installation procedures for Unique DV-ST SS/SL actuator

Installation and adjustment instructions in combination with ThinkTop

1. Activate valve to open position
2. Remove indication cap and pin from actuator counterclockwise (fig.1)
3. Mount ThinkTop extension pin in actuator spindle end clockwise.
 - a. **Use 8 mm wrench**
4. Deactivate valve to closed position
5. Mount adaptor plate onto actuator with use of the special nut (A) and actuator indication cap thread clockwise
 - a. **Use 24 mm wrench**
 - b. The adaptor plate can during this step be positioned as desired.
6. Mount the ThinkTop magnet onto the ThinkTop extension pin clockwise.
7. Mount the ThinkTop

Overview

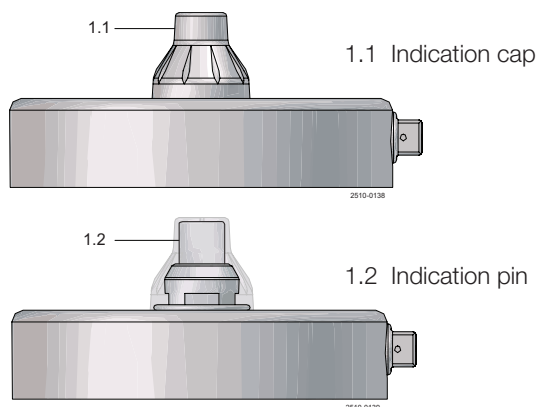
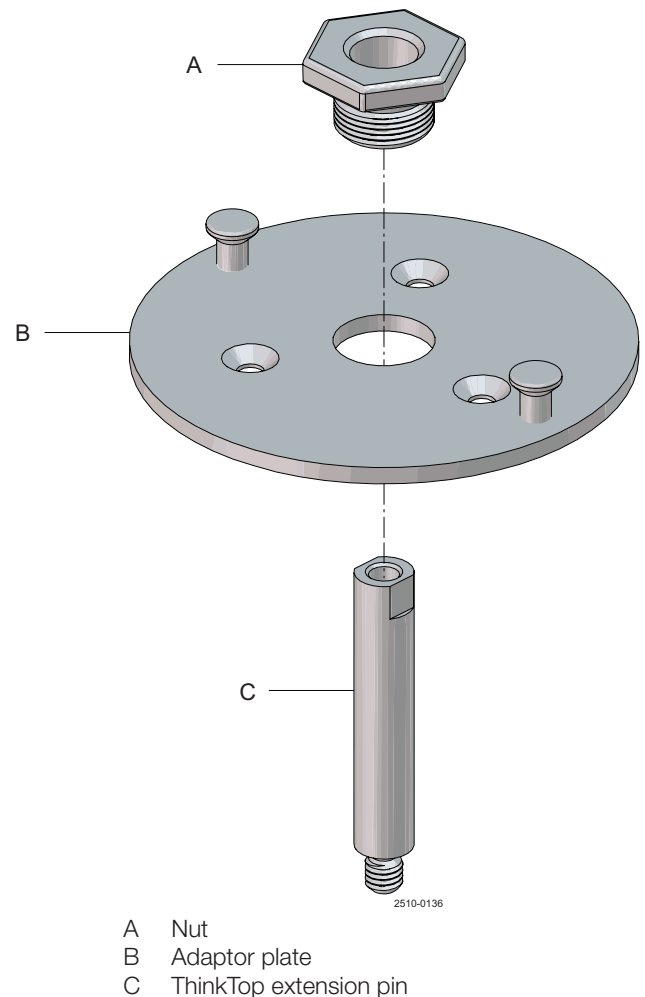


Fig. 1

This document and its contents are subject to copyrights and other intellectual property rights owned by Alfa Laval Corporate AB. No part of this document may be copied, re-produced or transmitted in any form or by any means, or for any purpose, without Alfa Laval Corporate AB's prior express written permission. Information and services provided in this document are made as a benefit and service to the user, and no representations or warranties are made about the accuracy or suitability of this information and these services for any purpose. All rights are reserved.

How to contact Alfa Laval

Up-to-date Alfa Laval contact details for all countries are always available on our website at www.alfalaval.com