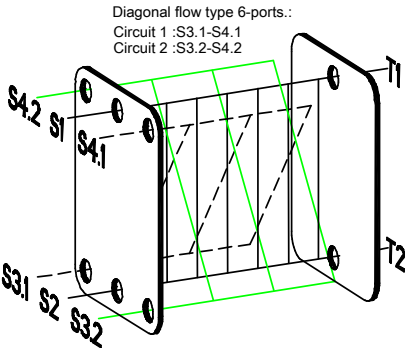
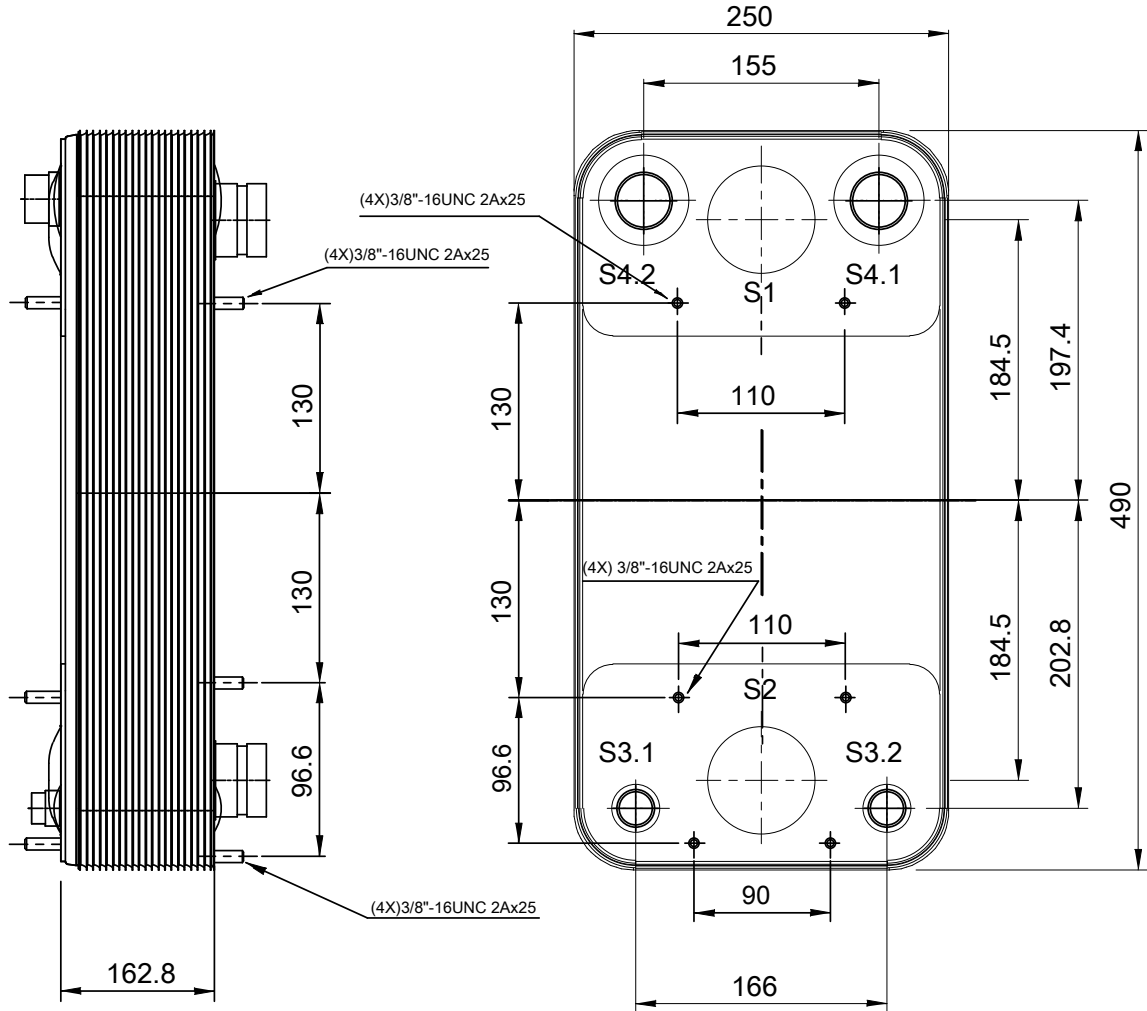
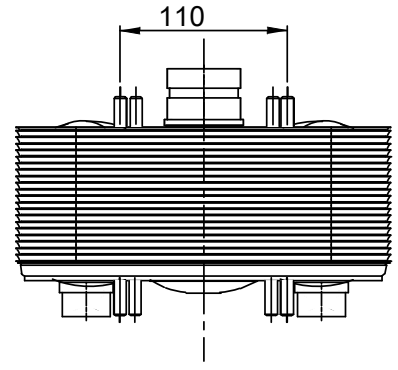
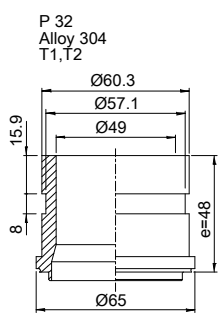
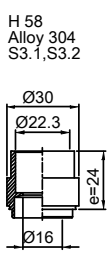
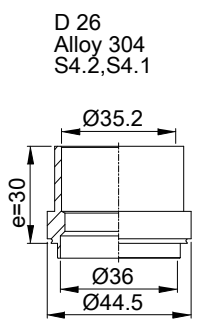


T1 T2 T3.1 T3.2 T4.1 T4.2 locations on back side correspond to S1 S2 S3.1 S3.2 S4.1 S4.2 on front side

Note that all unique customer requirements (i.e tolerance) need to be verified thru Alfa Laval.



Diagonal flow type 6-ports:
Circuit 1 :S3.1-S4.1
Circuit 2 :S3.2-S4.2



HEATING SURFACE
NETWEIGHT 33.2 kg
OPERATING WEIGHT kg
PLATE MATERIAL ALLOY 316
PLATE GROUPING 1*17HR|1*17HR/1*35HR

ALL DIMENSIONS IN MILLIMETERS

SIDE	MEDIA	INLET	TEMP.	OUTLET	TEMP.	FLOW RATE	PRESSURE DROP	LIQUID VOL.
1		S4.2,T2		S3.2,T1				5.46 dm ³
2		S4.1		S3.1				3.40/3.40 dm ³

PRESSURE VESSEL APPROVAL UL/CRN

ACH-230DQ-70H-F (3287084569)

www.alfalaval.com

CUSTOMER NAME / REF. NO.	TOTAL LENGTH	236.8 mm
	TOTAL WIDTH	250.0 mm
	TOTAL HEIGHT	490.0 mm
COMPANY / REF.		
		1/15/2024 REV 0