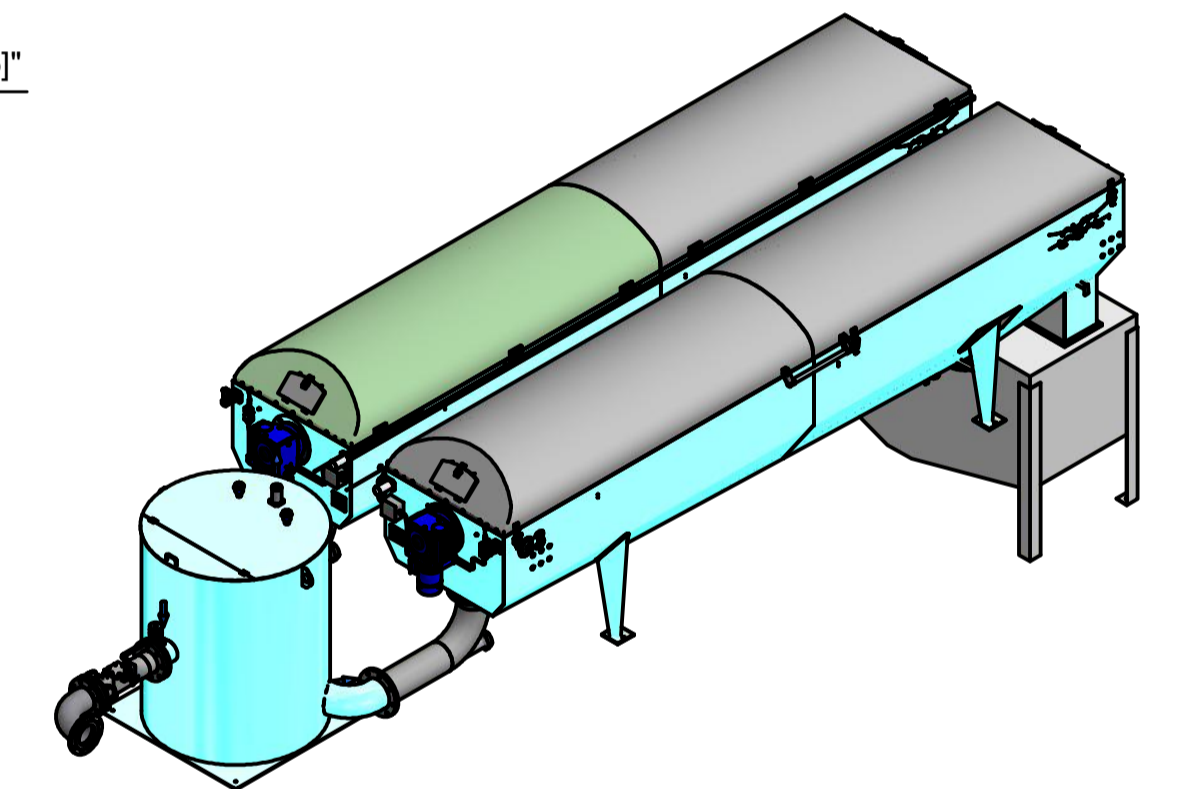
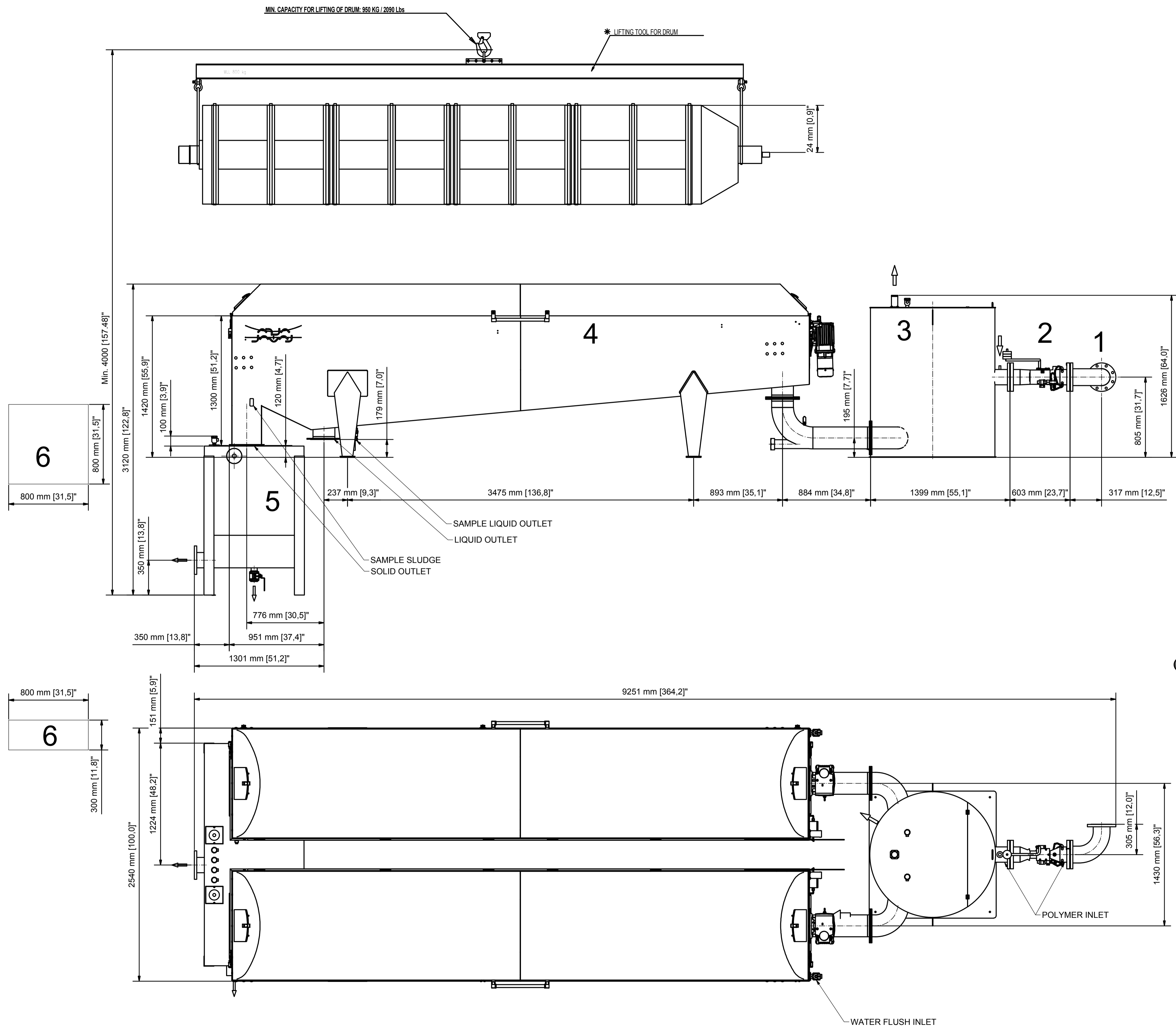


NO.	BASICS	WEIGHT
1	TUBE BEND 90	15 Kg
2	MIXING VALVE	16 Kg
3	FLOCCULATION REACTOR (FR)	311 Kg (EMPTY) 2260 Kg (FULL)
4	DRUM THICKNER FOR EACH MEGA (DT)	1300 Kg (EMPTY) 2200 Kg (FULL)
5	SLUDGE HOPPER	410 Kg (EMPTY) 3250 Kg (FULL)
6	CONTROL PANEL	150 Kg



00	First Issue	23-11-2016	DKSORGN	DKSOJLNA	DKSOGKC
Rev No	Revision text	Date	Drawn	Checked	Approved
		LAYOUT DRAWING G3 MEGA DUO			
Location: Alfa Laval Copenhagen A/S		ISO Method E	Size: A1 Scale: 1:35	Dimensions without tolerances: ISO 2768-M or ISO 13920-B	
Date: 06-06-2013	Drawn: DKSORGN		Sheet: 1 / 1	Drawing No: 96816781	Rev: 00

This document may constitute a contractual obligation on the part of Alfa Laval AB only to the extent expressly agreed upon.

This document and its contents are the exclusive property of Alfa Laval AB, and may not be copied, reproduced, transmitted or communicated to a third party, nor used for any purpose without written permission.