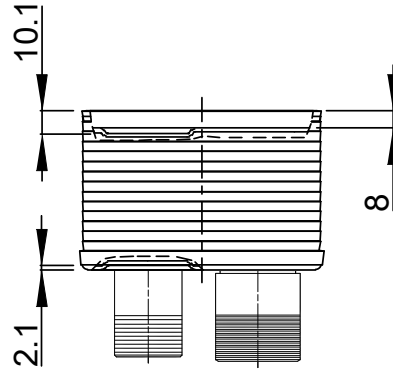
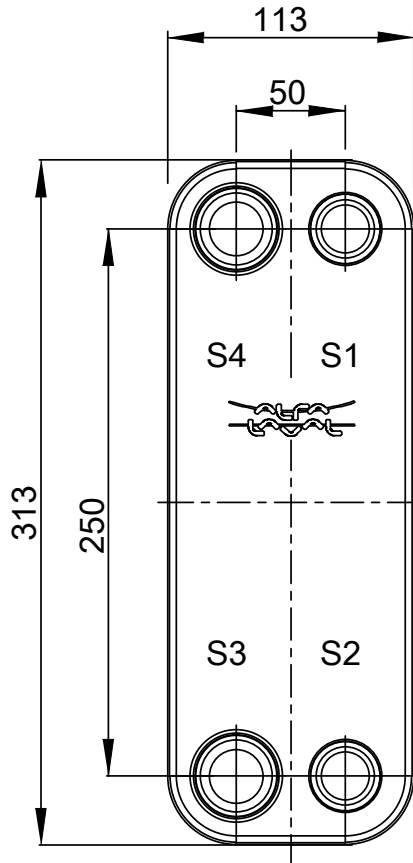
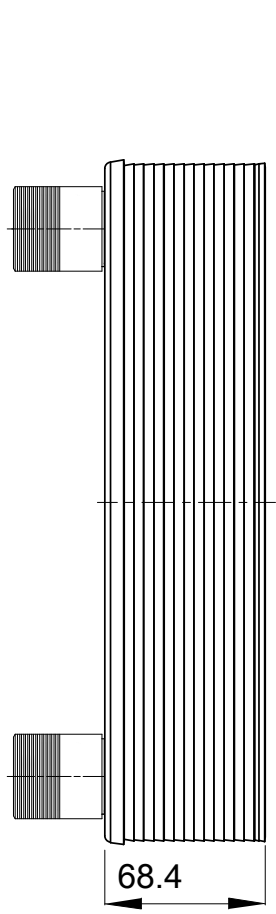
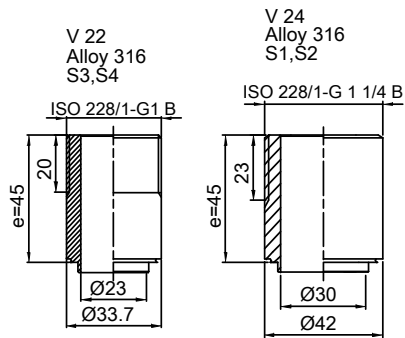


Note that all unique customer requirements (i.e tolerance) need to be verified thru Alfa Laval.



HEATING SURFACE
 NETWEIGHT 4.6 kg
 OPERATING WEIGHT kg
 PLATE MATERIAL ALLOY 316
 PLATE GROUPING 1*11ML/1*12MH

T1 T2 T3 T4 locations on back side correspond to S1 S2 S3 S4 on front side

ALL DIMENSIONS IN MILLIMETERS

SIDE	MEDIA	INLET	TEMP.	OUTLET	TEMP.	FLOW RATE	PRESSURE DROP	LIQUID VOL.
1		S1		S2				0.65 dm ³
2		S3		S4				0.59 dm ³



PRESSURE VESSEL APPROVAL PED
 CB30-24M (3287083370)

www.alfalaval.com

CUSTOMER NAME / REF. NO.	TOTAL LENGTH	113.4 mm
	TOTAL WIDTH	113.0 mm
COMPANY / REF.	TOTAL HEIGHT	313.0 mm
	1/15/2024 REV 0	