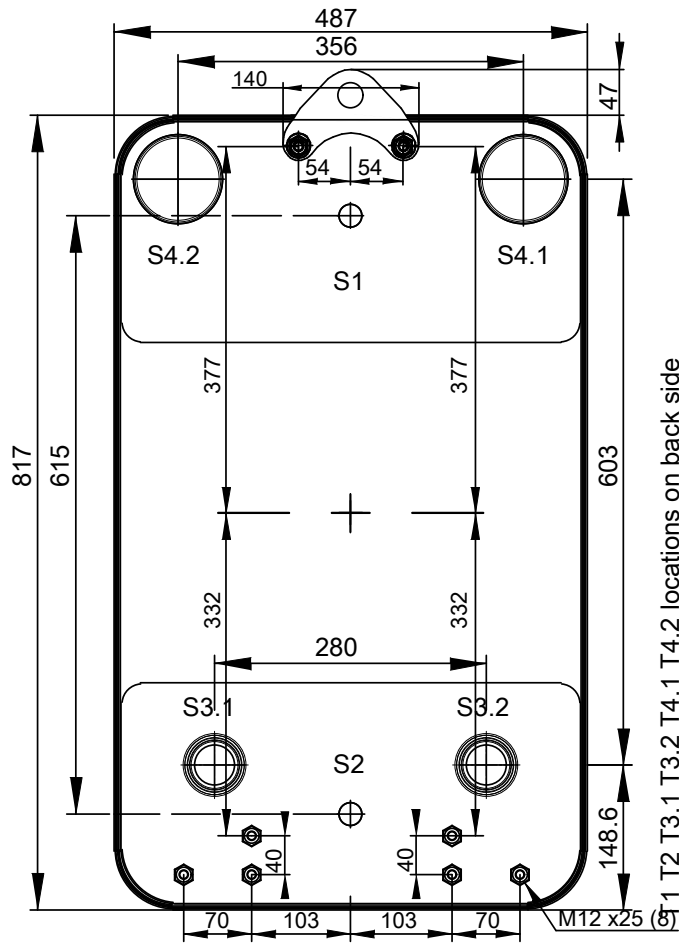
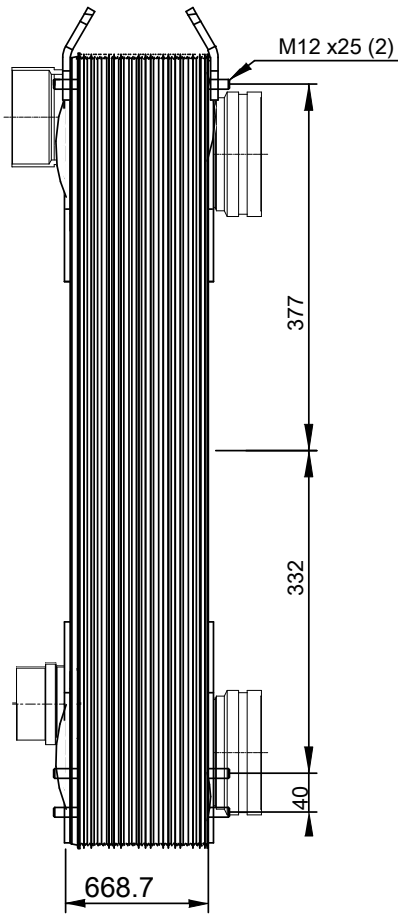
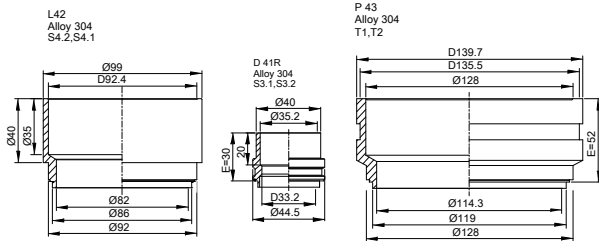
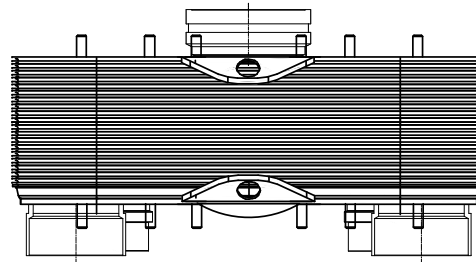
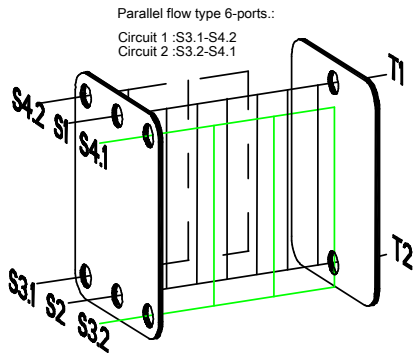


Note that all unique customer requirements (i.e tolerance) need to be verified thru Alfa Laval.



T1 T2 T3.1 T3.2 T4.1 T4.2 locations on back side correspond to S1 S2 S3.1 S3.2 S4.1 S4.2 on front side



HEATING SURFACE
 NETWEIGHT 400.9 kg
 OPERATING WEIGHT kg
 PLATE MATERIAL ALLOY 316
 PLATE GROUPING 1*67AHR|1*67AHR|1*136AH

ALL DIMENSIONS IN MILLIMETERS

SIDE	MEDIA	INLET	TEMP.	OUTLET	TEMP.	FLOW RATE	PRESSURE DROP	LIQUID VOL.
1		T1		T2				99.9 dm ³
2		S3.1,S3.2		S4.2,S4.1				40.9/40.9 dm ³

PRESSURE VESSEL APPROVAL PED/UK
 AC1000DQ-270AH-F (3287168174)



www.alfalaval.com

CUSTOMER NAME / REF. NO.	TOTAL LENGTH	770.1 mm
	TOTAL WIDTH	487.0 mm
	TOTAL HEIGHT	864.0 mm
COMPANY / REF.		



4/16/2024
 REV 0