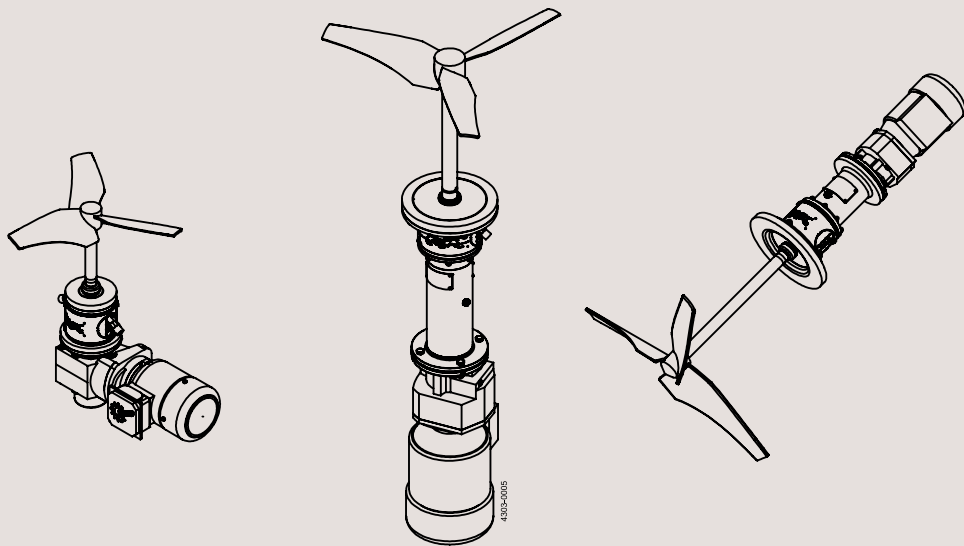




## Spare Parts

Alfa Laval Agitator – ALS / ALB



ESE03339-EN8

2023-02

Original manual



## Table of contents

---

*The information herein is correct at the time of issue but may be subject to change without prior notice*

1. Agitator Main Components, Drive end .....	4
2. Agitator Main Components, Wet end .....	6
3. Bearing frame, B20, B25, B25/30, B35, B35/40, B45, B45/50, B55, B55/60 .....	8
4. Bearing frame, BC160/35, BC160D/30, BC160DH/30 .....	12
5. Shaft seal, type D .....	14
6. Shaft seal, type DC .....	16
7. Shaft seal, type S1 .....	18
8. Shaft seal, type S2 .....	20
9. Shaft seal, type S3 .....	22



# Agitator Main Components, Drive end

Pos	Qty	Denomination	Flange seal Thickness	Flange seal 3.53 Thickness	Flange seal 5.33 Thickness	Flange seal LKR agitator
1	<input type="checkbox"/>	1 GR gear motor, hollow shaft				
2	<input type="checkbox"/>	1 GP gear motor, hollow shaft				
3	<input type="checkbox"/>	1 GR gear motor, output shaft				
4	<input type="checkbox"/>	1 GC gear motor, output shaft				
5	<input checked="" type="checkbox"/>	1 Bearing frame B20, B25, B25/30, B35, B35/40, B45, B45/50, B55, B55/60				
6	<input checked="" type="checkbox"/>	1 Bearing frame, BC160/35, BC160D/30, BC160DH/30				
7	<input checked="" type="checkbox"/>	1 Shaft seal type R				
8	<input checked="" type="checkbox"/>	1 Shaft seal type G				
9	<input checked="" type="checkbox"/>	1 Shaft seal type V				
10	<input checked="" type="checkbox"/>	1 Shaft seal type S				
11	<input checked="" type="checkbox"/>	1 Shaft seal type S3				
38	<input checked="" type="checkbox"/>	1 Shaft seal type D				
39	<input checked="" type="checkbox"/>	1 Shaft seal type DC				
13		1 O-ring, FEP (for flange OD2=134, std)	TE2601000078			
		1 O-ring, FEP (for flange OD2=134, raised)***)	TE2601000078			
		1 O-ring, FEP (for flange OD=134, raised)**)		9615387801		
		1 O-ring, FEP (for flange OD2=140, std)	TE2601000078			
		1 O-ring, FEP (for flange OD2=160, std)	TE2601000078			
		1 O-ring, FEP (for flange OD2=200, std)	TE2601000073			
		1 O-ring, FEP (for flange OD2=200, raised)***)	TE2601000073			
		1 O-ring, FEP (for flange OD2=200, raised)**)		9615387901		
		1 O-ring, FEP (for flange OD2=220, std)	TE2601000073			
		1 O-ring, EPDM (for flange OD2=225, raised)			TE2601000146	
		1 O-ring, FPM (for flange OD2=225, raised)			TE2601000679	
		1 O-ring, FEP (for flange OD2=230, std)	TE2601000074			
		1 O-ring, FEP (for flange OD2=250, std)	TE2601000074			
		1 O-ring, FEP (for flange OD2=250, raised)***)	TE2601000396			
		1 O-ring, FEP (for flange OD2=250, raised)**)		9615388001		
		1 O-ring, FEP (for flange OD2=285, std)	TE2601000074			
		1 O-ring, FEP (for flange OD2=285, std)	TE2601000550			
		1 O-ring, FEP (for flange OD2=300, std)	TE2601000075			
		1 O-ring, EPDM (for flange OD2=300, std)			TE2601000371	
		1 O-ring, FPM (for flange OD2=300, std)			TE2601000412	
		1 O-ring, FEP (for flange OD2=325, std)	TE2601000076			
		1 O-ring, FEP (for flange OD2=340, std)	TE2601000075			
		1 O-ring, FEP (for flange OD2=342,9, std)	TE2601000076			
		1 O-ring, FEP (for flange OD2=350, std)	TE2601000076			
		1 O-ring, FEP (for flange OD2=395, std)	TE2601000163			
		1 O-ring, FEP (for flange OD2=395, std)		9615483101		
		1 O-ring, FEP (for flange OD2=400, std)	TE2601000163			
		1 O-ring, FEP (for flange OD2=406,4, std)	TE2601000163			
		1 O-ring, FEP (for flange OD2=445, std)	TE2601000163			
		1 O-ring, FEP (for flange OD2=455, std)		9615483201		
		1 O-ring, FEP (for flange OD2=450, std)	TE2601000164			
		1 O-ring, FEP (for flange OD2=505, std)		9615483301		
		1 O-ring, FEP (for flange OD2=550, std)	TE2601000571			
16	<input type="checkbox"/>	X Screw, pointed				
17	<input type="checkbox"/>	1 Welding flange				
18	<input type="checkbox"/>	1 Mounting flange, standard				
19	<input type="checkbox"/>	1 Mounting flange, raised				
20	<input type="checkbox"/>	X Stud				
21	<input type="checkbox"/>	X Cap nut				
22	<input type="checkbox"/>	X Washer				
23	<input type="checkbox"/>	X Screw				
24	<input type="checkbox"/>	1 Washer, Nord Lock				
25	<input type="checkbox"/>	1 Fixing element				
26	<input type="checkbox"/>	1 Lantern, complete,				
27	<input type="checkbox"/>	1 Drive unit flange				
34	<input type="checkbox"/>	1 Flat gasket, Ø160 *)	9615345101			
	<input type="checkbox"/>	1 Flat gasket, Ø200 *)	9615345102			
	<input type="checkbox"/>	1 Flat gasket, Ø250 *)	9615345103			
	<input type="checkbox"/>	1 Flat gasket, Ø300 *)	9615345104			
	<input type="checkbox"/>	1 Flat gasket, Ø350 *)	9615345105			
35	<input type="checkbox"/>	1 Coupling				
36	<input type="checkbox"/>	1 Motor and shaft unit				
37	<input type="checkbox"/>	1 Motor				

Article number available upon request by serial number or article number of the Agitator.

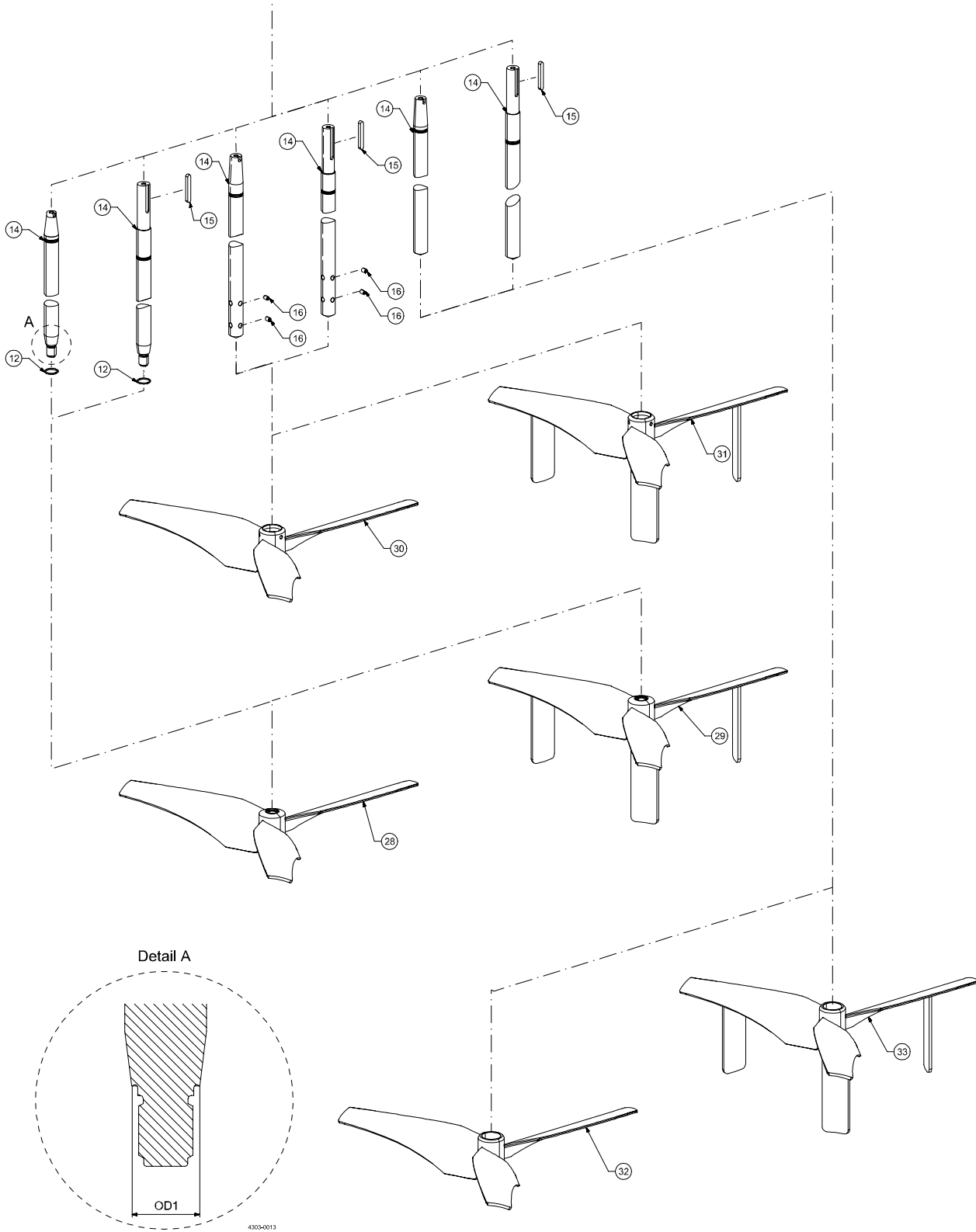
◆ Article number is to be found in the next section matching the specific bearing frame and shaft seal type.

X Quantity may vary depending on Agitator type, will be informed upon request.

\*) Part of bearing frame spare part kit.

\*\*\*) To be used for serial no. below 72727 or serial no. below 1100259927

\*\*\*) To be used for serial no. above 72727 or serial no. below 1100259927



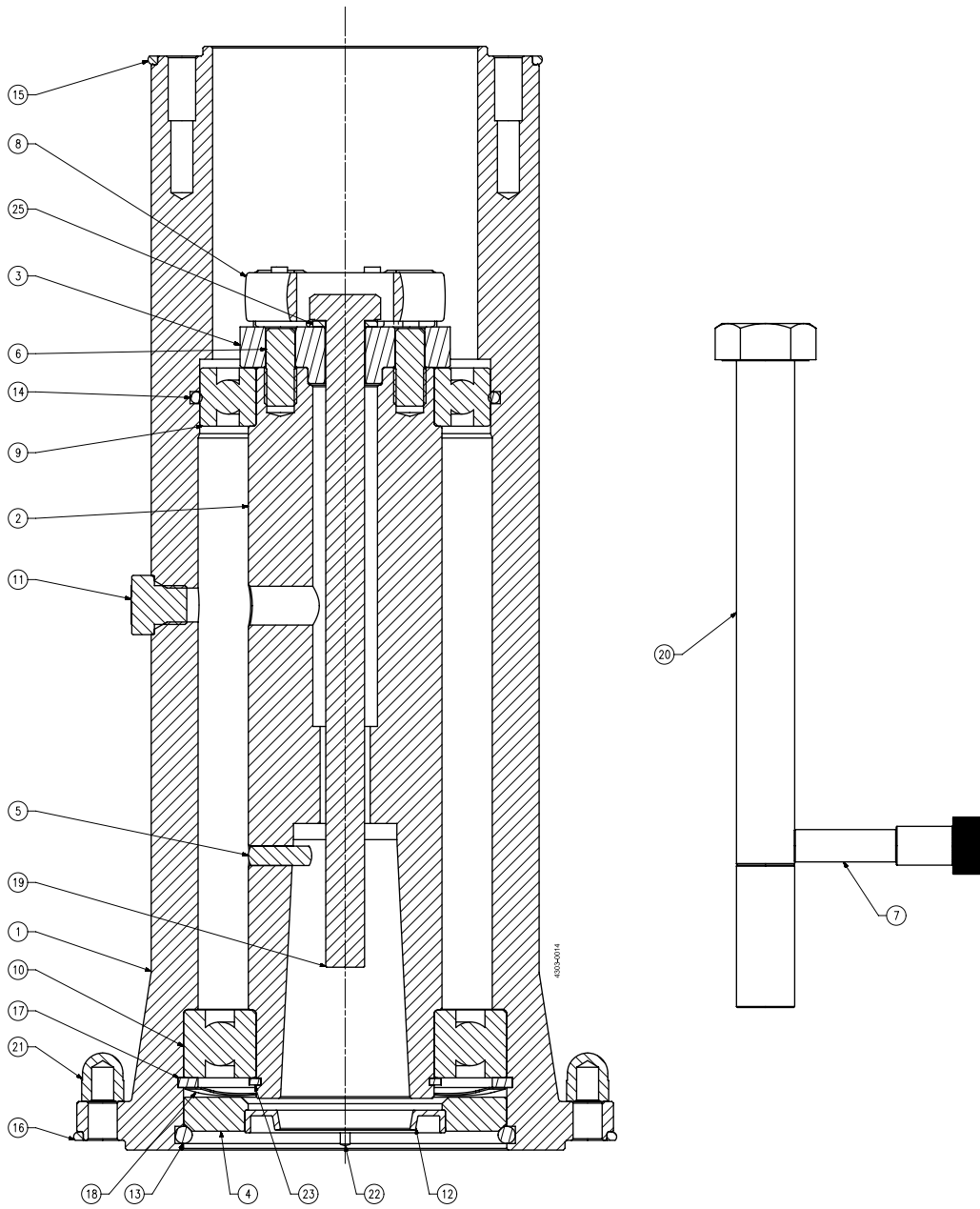
# Agitator Main Components, Wet end

Pos	Qty	Denomination	Impeller seal	Flange seal
12	1	O-ring, FEP, (for shaft size OD1=25) .....	TE2601000243	
	1	O-ring, FEP, (for shaft size OD1=30) .....	TE2601000244	
	1	O-ring, FEP, (for shaft size OD1=35) .....	TE2601000245	
	1	O-ring, FEP, (for shaft size OD1=40) .....	TE2601000246	
	1	O-ring, FEP, (for shaft size OD1=45) .....	TE2601000247	
	1	O-ring, FEP, (for shaft size OD1=50) .....	TE2601000248	
	1	O-ring, FEP, (for shaft size OD1=55) .....	TE2601000249	
	1	O-ring, FEP, (for shaft size OD1=60) .....	TE2601000250	
	1	O-ring, FEP, (for shaft size OD1=65) .....	TE2601000189	
	1	O-ring, FEP, (for shaft size OD1=70) .....	TE2601000609	
	1	O-ring, FEP, (for shaft size OD1=75) .....	TE2601000610	
	1	O-ring, FEP, (for shaft size OD1=80) .....	TE2601000611	
	1	O-ring, FEP, (for shaft size OD1=90) .....	TE2601000612	
14	<input type="checkbox"/>	1 Shaft .....		
15	<input type="checkbox"/>	1 Parrallel key .....		
16	<input checked="" type="checkbox"/>	X Screw, pointed .....		
28	<input type="checkbox"/>	1 Impeller device, EnSaFoil, (ESF), w. thread .....		
	<input type="checkbox"/>	1 Impeller device, EnSaFoil, (ESF), welding .....		
29	<input type="checkbox"/>	1 Impeller device, EnSaFoil Low level, (ESFL), w. thread .....		
	<input type="checkbox"/>	1 Impeller device, EnSaFoil Low level, (ESFL), welding .....		
30	<input type="checkbox"/>	1 Impeller device, EnSaFoil, (ESF), w. screws .....		
31	<input type="checkbox"/>	1 Impeller device, EnSaFoil Low level, (ESFL), w. screws .....		

Article number available upon request by serial number or article number of the agitator.

◆ Article number is to be found in the next section matching the specific bearing frame and shaft seal type.

X Quantity may vary depending on Agitator type, will be informed upon request.



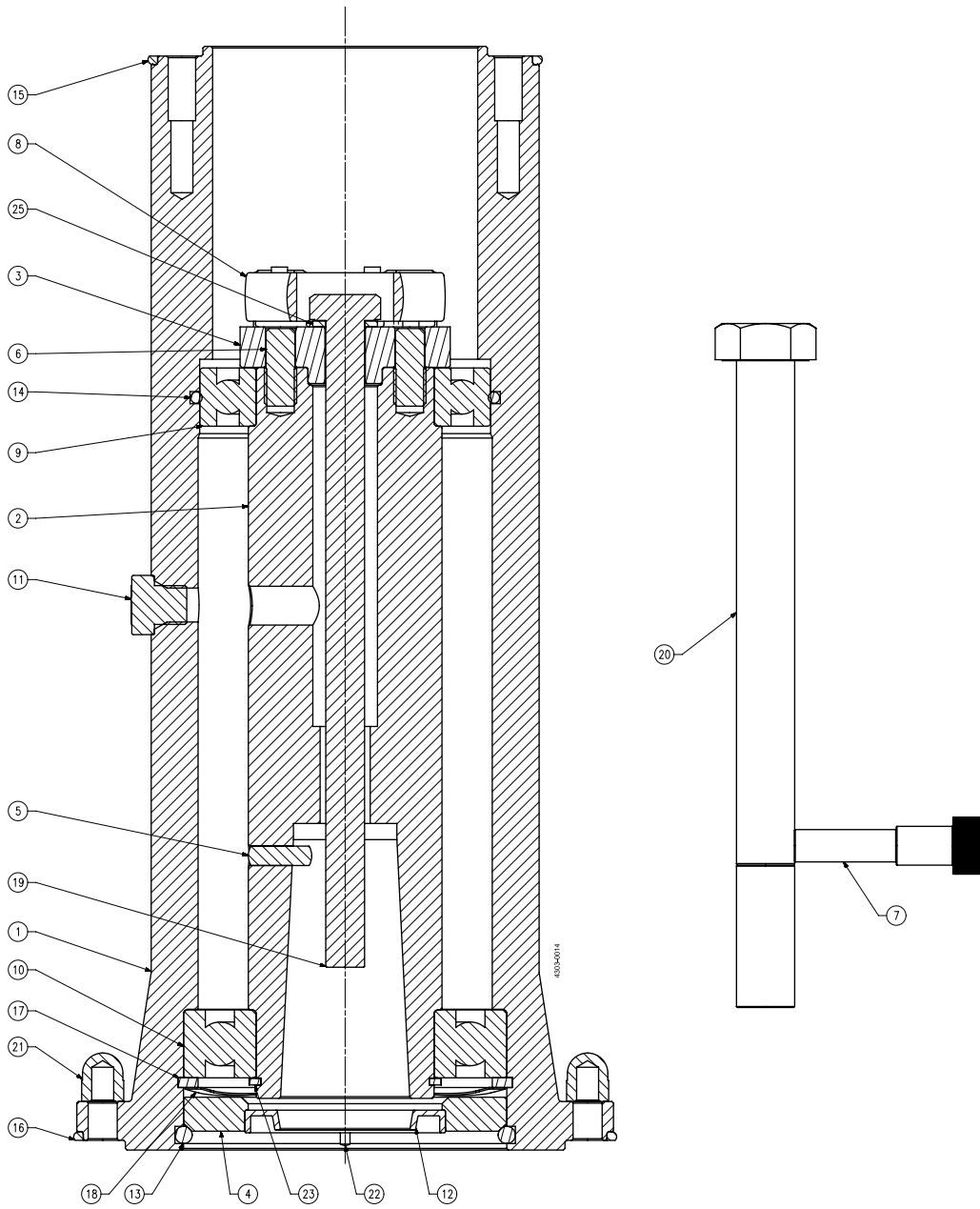


Bearing frame, B20, B25, B25/30, B35, B35/40, B45, B45/50, B55, B55/60

Pos	Qty	Denomination	B20	B25	B25/30	B35
1	1	Bearing frame - housing .....				
2	1	Drive shaft .....				
3	1	Coupling .....				
4	1	Cover .....				
5	1	Pin .....				
6	2	Pin .....				
7	1	Tool, retainer bolt .....	TE2604010700	TE2604010700	TE2604010700	TE2604010100
8	<input type="checkbox"/>	Spider, PUR .....	TE2601000351	TE2601000351	TE2601000351	TE2601000352
9	<input type="checkbox"/>	Bearing .....	TE2601000120	TE2601000120	TE2601000120	TE2601000121
10	<input type="checkbox"/>	Bearing .....	TE2601000122	TE2601000122	TE2601000122	TE2601000123
11	<input type="checkbox"/>	PreVent Valve .....	TE2601000362	TE2601000362	TE2601000362	TE2601000362
12	<input type="checkbox"/>	Seal, radial .....	TE2601000560	TE2601000592	TE2601000318	TE2601000227
13	<input type="checkbox"/>	O-ring, FPM .....	TE2601000301	TE2601000301	TE2601000301	TE2601000304
14	<input type="checkbox"/>	O-ring, FPM .....	TE2601000300	TE2601000300	TE2601000300	TE2601000302
15	<input type="checkbox"/>	O-ring, FPM .....	TE2601000303	TE2601000303	TE2601000303	TE2601000269
16	<input type="checkbox"/>	O-ring, FPM .....	TE2601000269	TE2601000269	TE2601000269	TE2601000277
17	1	Circlip, inner .....				
18	1	Spring, wave .....				
19	1	Screw .....				
20	1	Extractor bolt .....	TE2601000331	TE2601000331	TE2601000331	TE2601000336
21	8	Cap nut .....				
22	2	Pin .....				
23	1	Circlip, outer .....				
25	1	Washer .....				
			B20	B25	B25/30	B35

Assembly Kit

<input type="checkbox"/>	Assembly Kit, Bearing frame B20, B25, B25/30, B35 .....	TE261301266	TE261301267	TE2613066880	TE261301269
		B	B		C

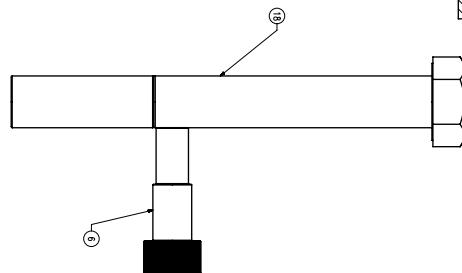
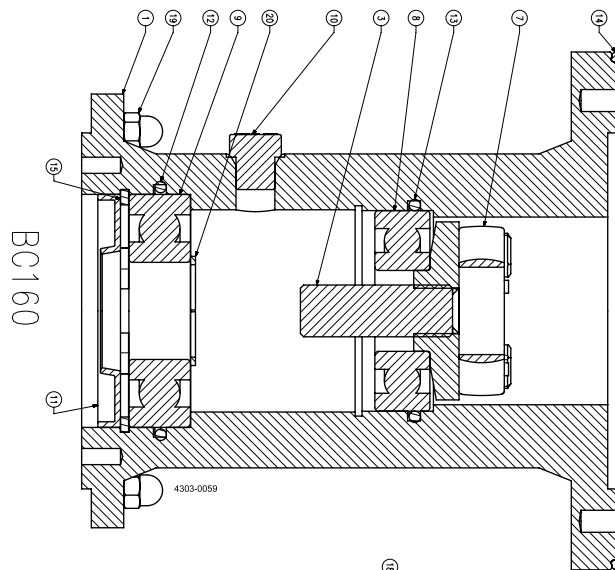
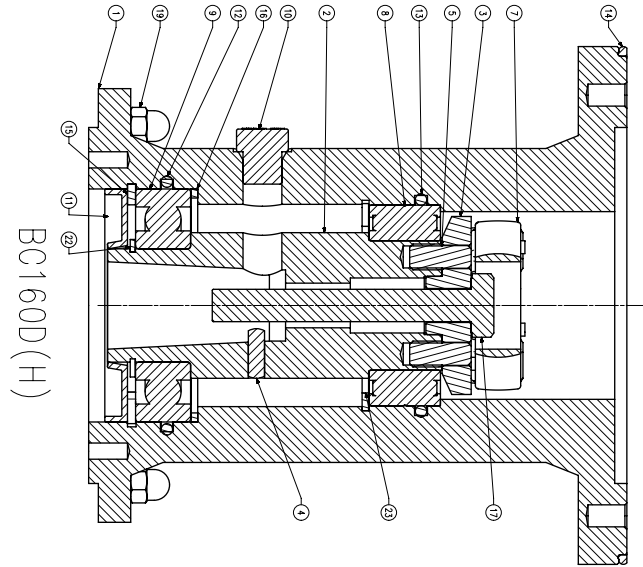


Bearing frame, B20, B25, B25/30, B35, B35/40, B45, B45/50, B55, B55/60

Pos	Qty	Denomination	B35/40	B45	B45/50	B55	B55/60
1	1	Bearing frame - housing .....					
2	1	Drive shaft .....					
3	1	Coupling .....					
4	1	Cover .....					
5	1	Pin .....					
6	2	Pin .....					
7	1	Tool, retainer bolt .....	TE2604010100	TE2604010890	TE2604010890	TE2604010900	TE2604010900
8	<input type="checkbox"/>	1 Spider, PUR .....	TE2601000352	TE2601000361	TE2601000361	TE2601000353	TE2601000353
9	<input type="checkbox"/>	1 Bearing .....	TE2601000121	TE2601000094	TE2601000094	TE2601000124	TE2601000124
10	<input type="checkbox"/>	1 Bearing .....	TE2601000123	TE2601000093	TE2601000093	TE2601000125	TE2601000125
11	<input type="checkbox"/>	1 PreVent Valve .....	TE2601000362	TE2601000362	TE2601000362	TE2601000362	TE2601000362
12	<input type="checkbox"/>	1 Seal, radial .....	TE2601000321	TE2601000322	TE2601000359	TE2601000324	TE2601000325
13	<input type="checkbox"/>	1 O-ring, FPM .....	TE2601000304	TE2601000270	TE2601000270	TE2601000274	TE2601000274
14	<input type="checkbox"/>	1 O-ring, FPM .....	TE2601000302	TE2601000271	TE2601000271	TE2601000273	TE2601000273
15	<input type="checkbox"/>	1 O-ring, FPM .....	TE2601000269	TE2601000276	TE2601000276	TE2601000277	TE2601000277
16	<input type="checkbox"/>	1 O-ring, FPM .....	TE2601000277	TE2601000282	TE2601000282	TE2601000284	TE2601000284
17	1	Circlip, inner .....					
18	1	Spring, wave .....					
19	1	Screw .....					
20	1	Extractor bolt .....	TE2601000336	TE2601000334	TE2601000334	TE2601000334	TE2601000334
21	8	Cap nut .....					
22	2	Pin .....					
23	1	Circlip, outer .....					
25	1	Washer .....					
			B35/40	B45	B45/50	B55	B55/60

Assembly Kit

<input type="checkbox"/>	Assembly Kit, Bearing frame B35/40, B45, B45/50, B55, B55/60 .....	TE261304566 B	TE261301100 B	TE261305434A	TE261301102 B	TE2613065530
--------------------------	--	------------------	------------------	--------------	------------------	--------------



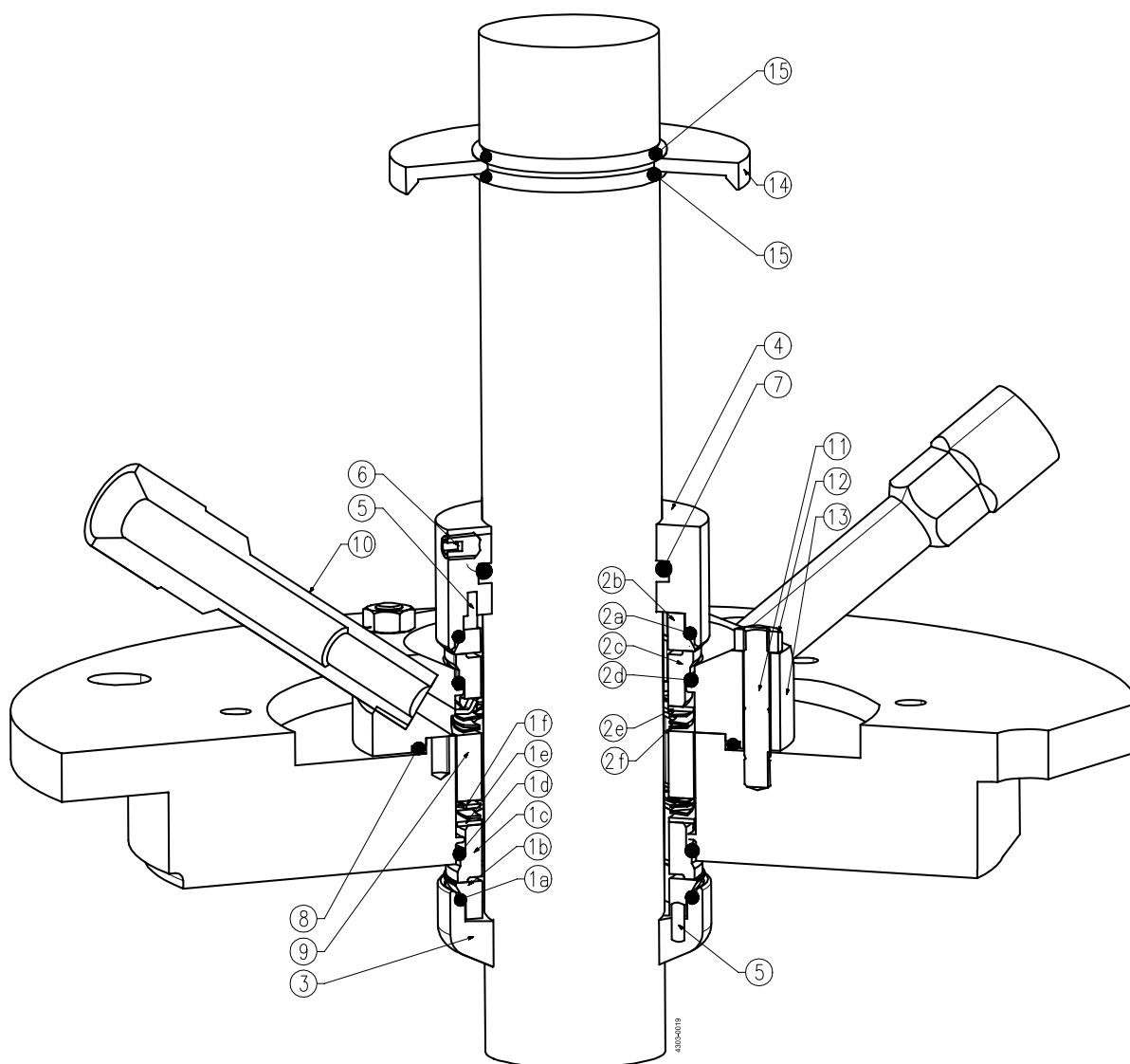
Bearing frame, BC160/35, BC160D/30, BC160DH/30

Pos	Qty	Denomination	BC160/35 (right)	BC160/35 (left)	BC160D/30	BC160DH/30
1	1	Bearing frame - housing .....				
2	1	Drive shaft .....				
3	1	Coupling .....				
4	1	Pin .....				
5	2	Pin .....				
6	1	Tool, retainer bolt .....	TE2604036760	TE2604036760	TE2604036760	TE2604036760
7	□	Spider, PUR .....	TE2601000351	TE2601000351	TE2601000351	TE2601000351
8	□	Bearing .....	TE2601000344	TE2601000344	TE2601000127	TE2601000449
9	□	Bearing .....	TE2601000345	TE2601000345	TE2601000126	TE2601000126
10	□	PreVent valve .....	TE2601000362	TE2601000362	TE2601000362	TE2601000362
11	□	Seal, radial .....	TE2601000320	TE2601000320	TE2601000320	TE2601000320
12	□	O-ring, FPM .....	TE2601000138	TE2601000138	TE2601000138	TE2601000138
13	□	O-ring, FPM .....	TE2601000139	TE2601000139	TE2601000139	TE2601000139
14	□	O-ring, FPM .....	TE2601000276	TE2601000276	TE2601000276	TE2601000276
15	1	Circlip, inner .....				
16	1	Seeger ring .....				
17	1	Screw .....				
18	1	Extractor bolt .....	TE2601000331	TE2601000331	TE2601000331	TE2601000331
19	8	Cap nut .....				
20	1	Circlip, outer .....				
22	7	Circlip, outer .....				
23	1	Circlip, inner .....				

BC160/35 (right)	BC160/35 (left)	BC160D/30	BC160DH/30
---------------------	-----------------	-----------	------------

Assembly Kit

□	Assembly Kit, Bearing frame BC160/35, BC160D/30, BC160DH/30 .....	TE261303783 B	TE261303783 B	TE261303672 B	TE2613071680
---	---	------------------	------------------	------------------	--------------



# Shaft seal, type D

Pos	Qty	Denomination	size: Ø30	size: Ø40
1	◆	1 Seal, C/SiC, EPDM .....	TE2608041570	TE2608012850
	★	1 Seal, SiC/SiC, EPDM .....	TE2608037220	TE2608045750
	□	1 Seal, C/SiC, FPM .....	TE2608058650	TE2608084680
	○	1 Seal, SiC/SiC, FPM .....	TE2608049740	TE2608049390
2	◆★	1 Seal, C/SiC, EPDM .....	TE2608041570	TE2608012850
	□○	1 Seal, C/SiC, FPM .....	TE2608058650	TE2608084680
3		1 Ring, counter** .....		
4		1 Ring, counter .....		
5		4 Pin .....		
6		1 Screw, pointed .....		
7	□○	1 O-ring, FPM .....	TE2601000411	TE2601000040
	◆★	1 O-ring, EPDM .....	TE2601000001	TE2601000424
8	□○	1 O-ring, FPM .....	TE2601000450	TE2601000403
	◆★	1 O-ring, EPDM .....	TE2601000387	TE2601000392
9		1 Spacer, (15mm) .....		
		1 Spacer, (14mm) .....		
		1 Spacer, (1mm) .....		
10		2 Flush, connection 1/2"-14 BSP .....		
11		4 Stud .....		
12		4 Nut .....		
13		1 Seal housing .....		
14		1 Oil trap .....		
15	□◆○★	2 O-ring, FPM .....	TE2601000287	TE2601000292
		2 O-ring, FPM, BF* .....	8010019106	

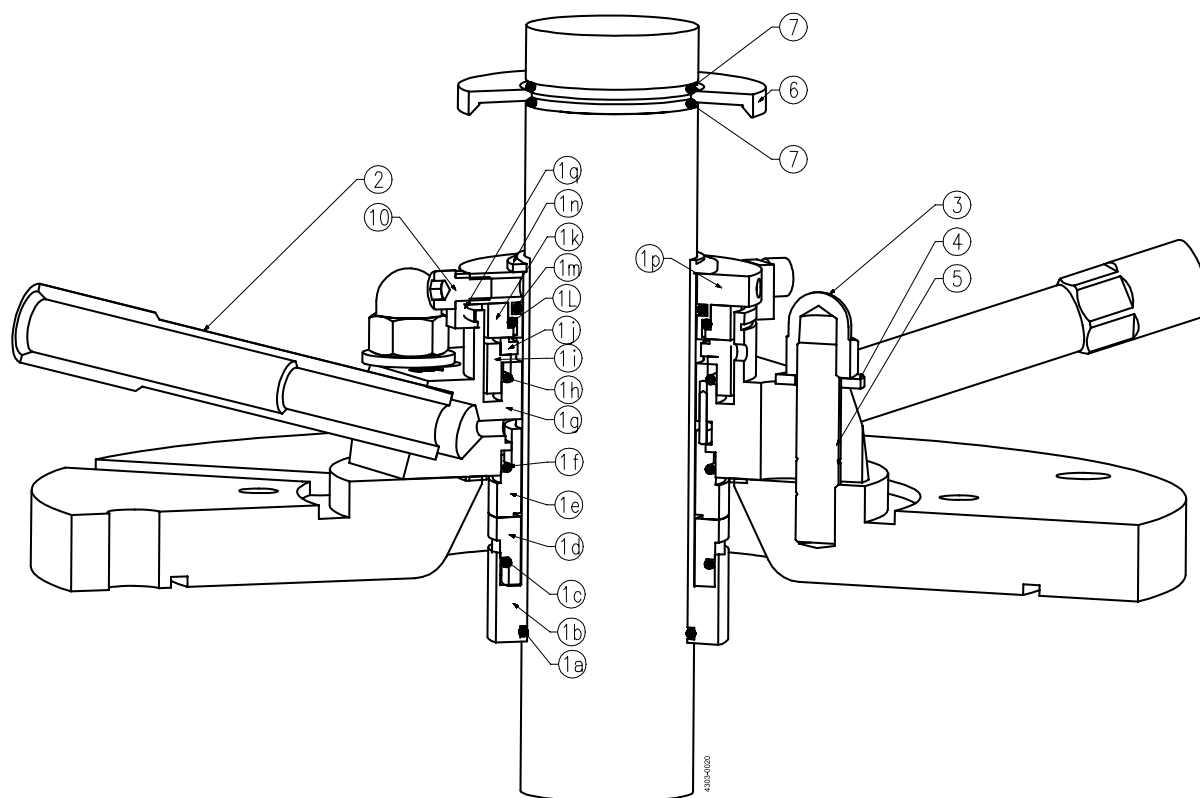
\*\*Welded onto shaft - maintenance must be carried out by Alfa Laval.

Ø30                      Ø40

## Seal kits

□	Seal Kit, D, C/SiC-C/SiC, FPM .....	TE2613000121	TE2613000122
□	Seal Kit, D, C/SiC-C/SiC, FPM, BF* .....	8010022656	
◆	Seal Kit, D, C/SiC-C/SiC, EPDM .....	TE2613000123	TE2613000124
◆	Seal Kit, D, C/SiC-C/SiC, EPDM, BF* .....	8010022657	
○	Seal Kit, D, SiC/SiC-C/SiC, FPM .....	TE2613000125	TE2613000126
○	Seal Kit, D, SiC/SiC-C/SiC, FPM, BF* .....	8010022658	
★	Seal Kit, D, SiC/SiC-C/SiC, EPDM .....	TE2613000127	TE2613000128
★	Seal Kit, D, SiC/SiC-C/SiC, EPDM, BF* .....	8010022659	

\* For Agitators with Bearing Frame





# Shaft seal, type DC

Pos	Qty	Denomination	size: Ø30	size: Ø35	size: Ø40	size: Ø45
1	□	1 DC seal, C/SiC-C/SiC, EPDM	TE2602000224	TE2602000236	TE2602000091	TE2602000075
	◆	1 DC seal, C/SiC-C/SiC, FPM	TE2602000228	TE2602000239	TE2602000242	TE2602000203
	○	1 DC seal, SiC/SiC-C/SiC, EPDM	TE2602000225	TE2602000237	TE2602000241	TE2602000244
	★	1 DC seal, SiC/SiC-C/SiC, FPM	TE2602000229	TE2602000240	TE2602000243	TE2602000247
2		2 Flush, connection 1/2"-14 BSP	TE2602029060	TE2602029060	TE2602055590	TE2602055590
3		4 Cap nut, M10	TE2601000195	TE2601000195		
		4 Cap nut, M12		TE2601000261	TE2601000261	TE2601000261
4		4 Washer, M10	TE2601000346	TE2601000346		
		4 Washer, M12		TE2601000347	TE2601000347	TE2601000347
5		4 Stud, M10	TE2601000308	TE2601000308		
		4 Stud, M12		TE2601000593	TE2601000593	TE2601000593
6		1 Oil trap	TE2604061570	TE2604059350	TE2604055860	TE2604040440
7	□◆○★	2 O-ring, FPM	TE2601000287	TE2601000289	TE2601000292	TE2601000293
			size: Ø30	size: Ø35	size: Ø40	size: Ø45

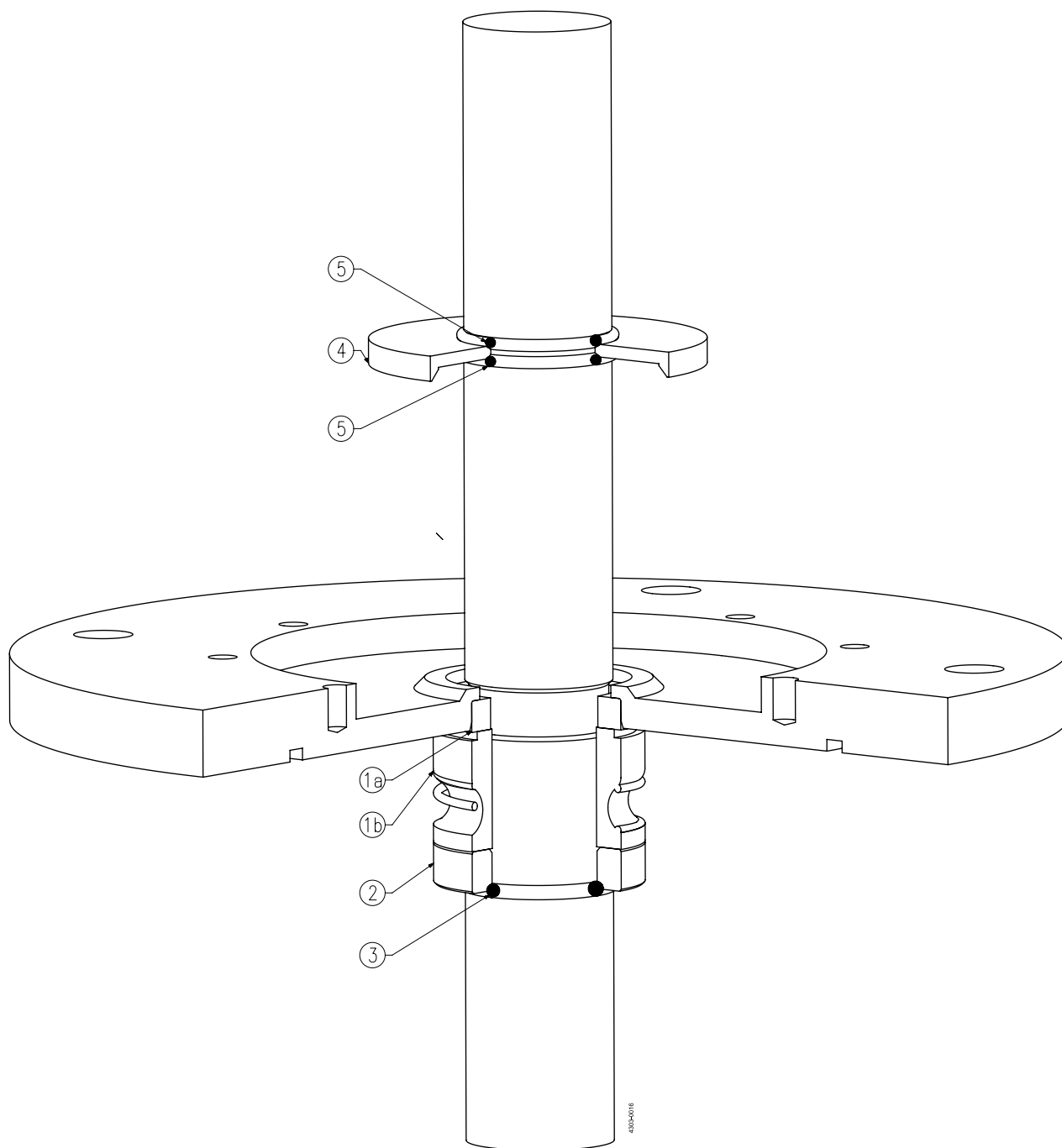
## Seal kits

□	Seal Kit, DC, C/SiC-C/SiC, EPDM	TE2613000137	TE2613000138	TE2613000139	TE2613000140
◆	Seal Kit, DC, C/SiC-C/SiC, FPM	TE2613000144	TE2613000145	TE2613000146	TE2613000147
○	Seal Kit, DC, SiC/SiC-C/SiC, EPDM	TE2613000151	TE2613000152	TE2613000153	TE2613000154
★	Seal Kit, DC, SiC/SiC-C/SiC, FPM	TE2613000158	TE2613000159	TE2613000160	TE2613000161

Pos	Qty	Denomination	size: Ø50	size: Ø55	size: Ø60	size: Ø70
1	□	1 DC seal, C/SiC-C/SiC, EPD	TE2602000189	TE2602000251	TE2602000257	TE2602000272
	◆	1 DC seal, C/SiC-C/SiC, FPM	TE2602000249	TE2602000255	TE2602000260	TE2602000276
	○	1 DC seal, SiC/SiC-C/SiC, EPD	TE2602000248	TE2602000252	TE2602000202	TE2602000273
	★	1 DC seal, SiC/SiC-C/SiC, FPM	TE2602000250	TE2602000256	TE2602000261	TE2602000277
2		2 Flush, connection 1/2"-14 BSP	TE2602055590	TE2602055590	TE2602055590	TE2602055590
3		4 Cap nut, M12	TE2601000261	TE2601000261	TE2601000261	TE2601000261
4		4 Washer, M12	TE2601000347			
		4 Washer, special		TE2607014100	TE2607014100	TE2607014100
5		4 Stud, M12	TE2601000593	TE2601000593	TE2601000593	TE2601000593
6		1 Oil trap	TE2604039770	TE2604034420	TE2604053450	TE2604076710
7	□◆○★	2 O-ring, FPM	TE2601000294	TE2601000295	TE2601000297	TE2601000039
			size: Ø50	size: Ø55	size: Ø60	size: Ø70

## Seal kits

□	Seal Kit, DC, C/SiC-C/SiC, EPDM	TE2613000141	TE2613000142	TE2613000143	9615478601
◆	Seal Kit, DC, C/SiC-C/SiC, FPM	TE2613000148	TE2613000149	TE2613000150	9615478701
○	Seal Kit, DC, SiC/SiC-C/SiC, EPDM	TE2613000155	TE2613000156	TE2613000157	9615478801
★	Seal Kit, DC, SiC/SiC-C/SiC, FPM	TE2613000162	TE2613000163	TE2613000164	9615478901

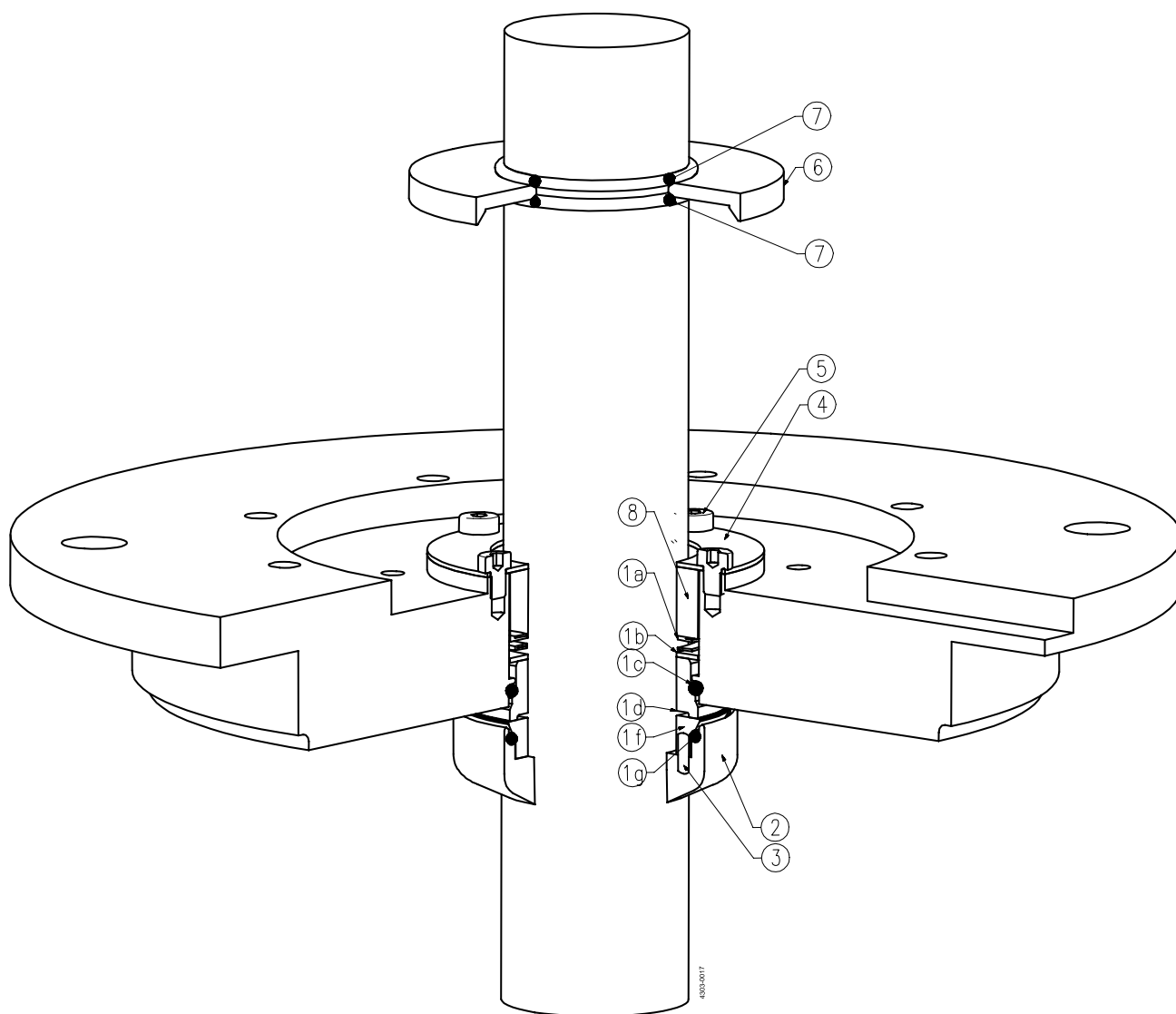


# Shaft seal, type S1

Pos	Qty	Denomination	size: Ø30	size: Ø35	size: Ø40	size: Ø45
1	□	1 S1 seal, SiC/SiC, EPDM .....	TE2602000047	TE2602000048	TE2602000056	TE2602000xxx
	◆	1 S1 seal, C/SiC, EPDM .....	TE2602000053	TE2602000054	TE2602000057	TE2602000055
	○	1 S1 seal, SiC/SiC, FPM .....	TE2602000081	TE2602000082	TE2602000083	TE2602000xxx
	★	1 S1 seal, C/SiC, FPM .....	TE2602000084	TE2602000085	TE2602000086	TE2602000291
2		1 Ring, retainer .....				
3	○★	1 O-ring, FPM .....	TE2601000411	TE2601000290	TE2601000133	TE2601000040
	□◆	1 O-ring, EPDM .....	TE2601000001	TE2601000042	TE2601000375	TE2601000424
4		1 Oil / Fluid trap .....				
		1 Oil / Fluid trap , (BC160/35) .....				
5	□◆○	2 O-ring, FPM .....	TE2601000287	TE2601000289	TE2601000292	TE2601000293
	★					

## Seal Kits for: Shaft seal type S1

		size: Ø30	size: Ø35	size: Ø40	size: Ø45
<b>Seal Kits</b>					
□	Seal Kit, S1, SiC/SiC, EPDM .....	TE2613000050	TE2613000051	TE2613000052	TE2613000053
◆	Seal Kit, S1, C/SiC, EPDM .....	TE2613000054	TE2613000055	TE2613000056	TE2613000057
○	Seal Kit, S1, SiC/SiC, FPM .....	TE2613000058	TE2613000059	TE2613000060	TE2613000061
★	Seal Kit, S1, C/SiC, FPM .....	TE2613000062	TE2613000063	TE2613000064	TE2613000065



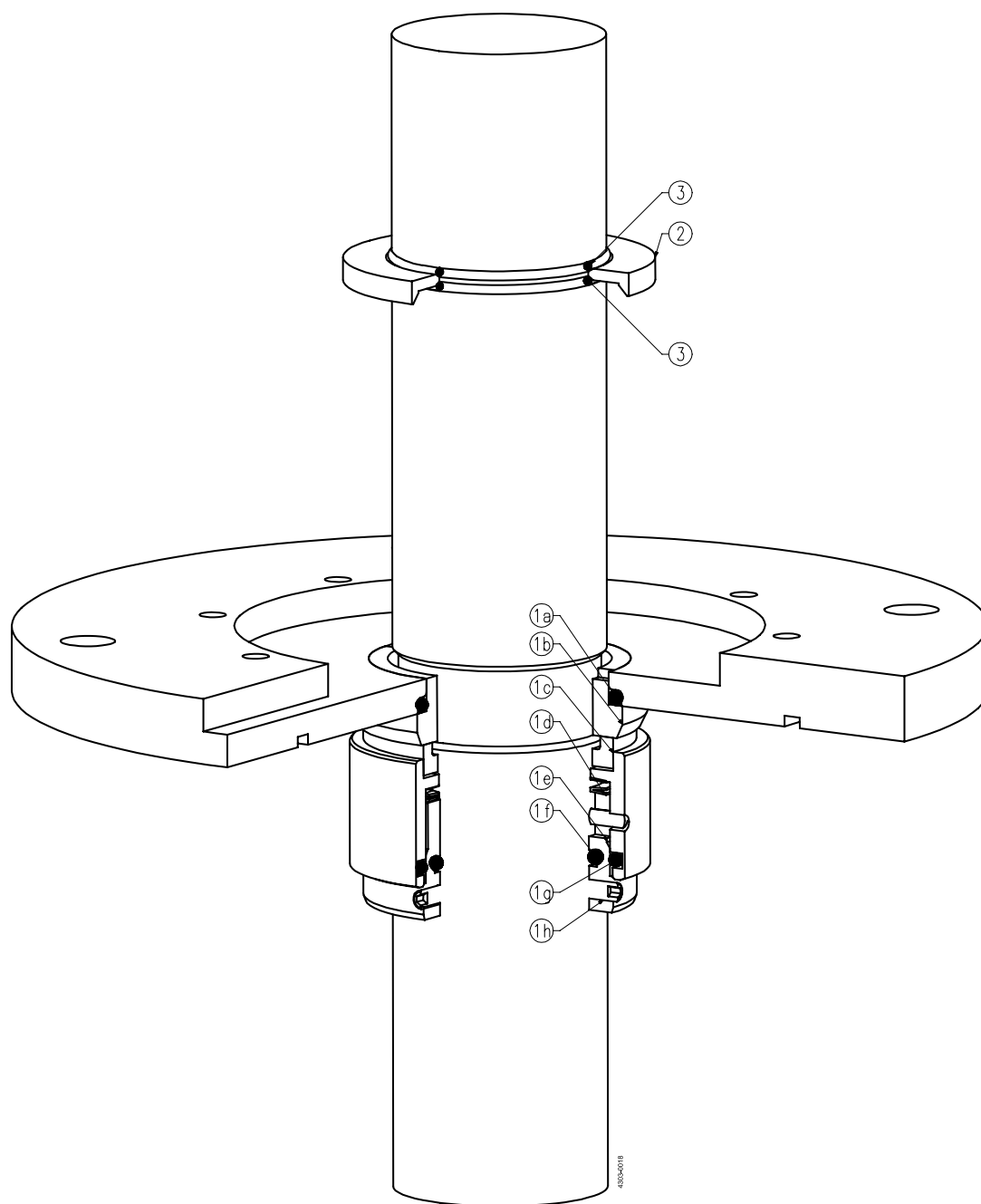
## Shaft seal, type S2

Pos	Qty	Denomination	size: Ø30	size: Ø40
1	□	1 S2 seal, C/SiC, EPDM .....	TE2608041570	TE2608012850
	◆	1 S2 seal, SiC/SiC, EPDM .....	TE2608037220	TE2608045750
	○	1 S2 seal, C/SiC, FPM .....	TE2608058650	TE2608084680
	★	1 S2 seal, SiC/SiC, FPM .....	TE2608049740	TE2608049390
2		1 Ring, counter** .....		
3		2 Pin .....		
4		1 Ring, retainer .....		
5		4 Screw .....		
6		1 Oil / Fluid trap .....		
7	□◆○★	2 O-ring, FPM .....	TE2601000287	TE2601000292
		2 O-ring, FPM, BF* .....	8010019106	
8		1 Spacer .....		

\*\* Welded onto shaft - maintenance must be carried out by Alfa Laval.

			size: Ø30	size: Ø40
<b>Seal kits</b>				
□		Seal Kit, S2, C/SiC, EPDM .....	TE2613000066	TE2613000068
□		Seal Kit, S2, C/SiC, EPDM, BF* .....	8010022652	
◆		Seal Kit, S2, SiC/SiC, EPDM .....	TE2613000067	TE2613000069
◆		Seal Kit, S2, SiC/SiC, EPDM, BF* .....	8010022653	
○		Seal Kit, S2, C/SiC, FPM .....	TE2613000070	TE2613000072
○		Seal Kit, S2, C/SiC, FPM, BF* .....	8010022654	
★		Seal Kit, S2, SiC/SiC, FPM .....	TE2613000071	TE2613000074
★		Seal Kit, S2, SiC/SiC, FPM, BF* .....	8010022655	

\* For Agitators with Bearing Frame



# Shaft seal, type S3

Pos	Qty	Denomination	size: Ø30	size: Ø35	size: Ø40
1	□	1 S3 seal, C/SiC, EPDM .....	TE2608000022	TE2608000012	TE2608000006
	◆	1 S3 seal, SiC/SiC, EPDM .....	TE2608000021	TE2608000002	TE2608000007
	○	1 S3 seal, C/SiC, FPM .....	TE2608000025	TE2608000015	TE2608000009
	★	1 S3 seal, SiC/SiC, EPDM .....	TE2608000023	TE2608000014	TE2608000008
2		1 Oil/Fluid trap .....			
3	□◆○★	2 O-ring, FPM .....	TE2601000287	TE2601000289	TE2601000292
			size: Ø30	size: Ø35	size: Ø40

## Seal Kits for: Shaft seal type S3

□	Seal Kit, S3, C/SiC, EPDM .....	TE2613000075	TE2613000076	TE2613000077
◆	Seal Kit, S3, SiC/SiC, EPDM .....	TE2613000078	TE2613000079	TE2613000080
○	Seal Kit, S3, C/SiC, FPM .....	TE2613000081	TE2613000082	TE2613000083
★	Seal Kit, S3, SiC/SiC, FPM .....	TE2613000084	TE2613000085	TE2613000086

**How to contact Alfa Laval**

Contact details for all countries are continually updated on our website.

Please visit [www.alfalaval.com](http://www.alfalaval.com) to access the information directly.

© Alfa Laval Corporate AB

This document and its contents is owned by Alfa Laval Corporate AB and protected by laws governing intellectual property and thereto related rights. It is the responsibility of the user of this document to comply with all applicable intellectual property laws. Without limiting any rights related to this document, no part of this document may be copied, reproduced or transmitted in any form or by any means (electronic, mechanical, photocopying, recording, or otherwise), or for any purpose, without the expressed permission of Alfa Laval Corporate AB. Alfa Laval Corporate AB will enforce its rights related to this document to the fullest extent of the law, including the seeking of criminal prosecution.