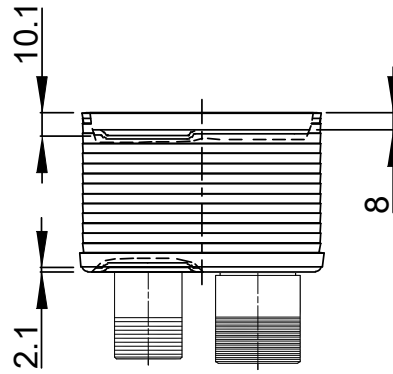
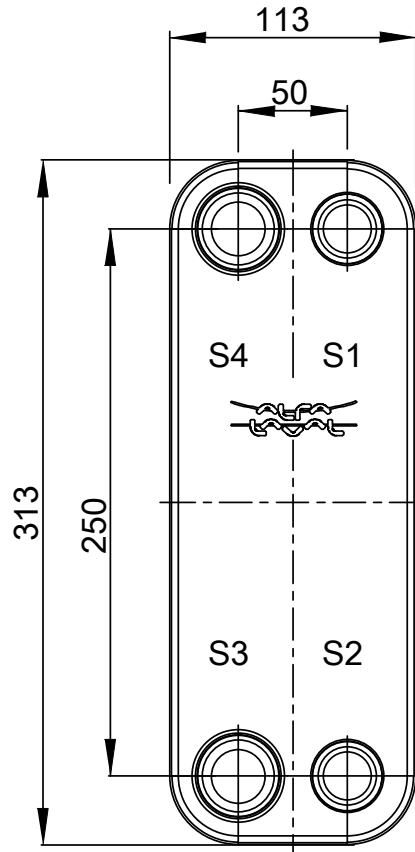
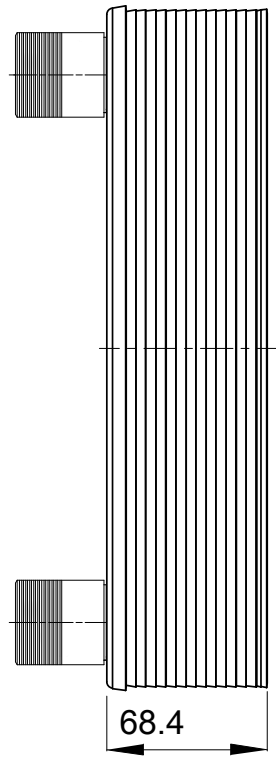
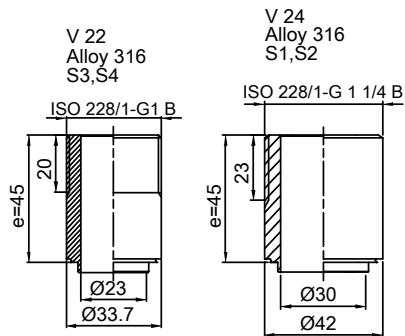


Note that all unique customer requirements (i.e tolerance) need to be verified thru Alfa Laval.



HEATING SURFACE  
 NETWEIGHT 4.6 kg  
 OPERATING WEIGHT kg  
 PLATE MATERIAL ALLOY 316  
 PLATE GROUPING 1\*11L/1\*12L

T1 T2 T3 T4 locations on back side  
 correspond to S1 S2 S3 S4 on front side

ALL DIMENSIONS IN MILLIMETERS

| SIDE | MEDIA | INLET | TEMP. | OUTLET | TEMP. | FLOW RATE | PRESSURE DROP | LIQUID VOL.          |
|------|-------|-------|-------|--------|-------|-----------|---------------|----------------------|
| 1    |       | S1    |       | S2     |       |           |               | 0.65 dm <sup>3</sup> |
| 2    |       | S3    |       | S4     |       |           |               | 0.59 dm <sup>3</sup> |

PRESSURE VESSEL APPROVAL

PED

CB30-24L (3287083379)

[www.alfalaval.com](http://www.alfalaval.com)

CUSTOMER NAME / REF. NO.

TOTAL LENGTH 113.4 mm  
 TOTAL WIDTH 113.0 mm  
 TOTAL HEIGHT 313.0 mm

COMPANY / REF.

1/15/2024  
 REV 0