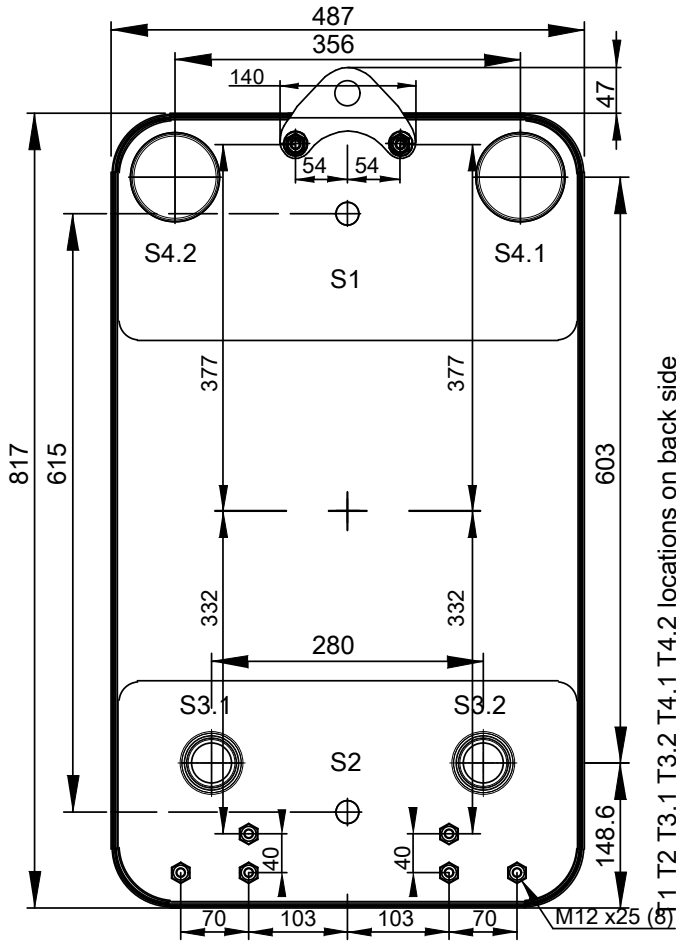
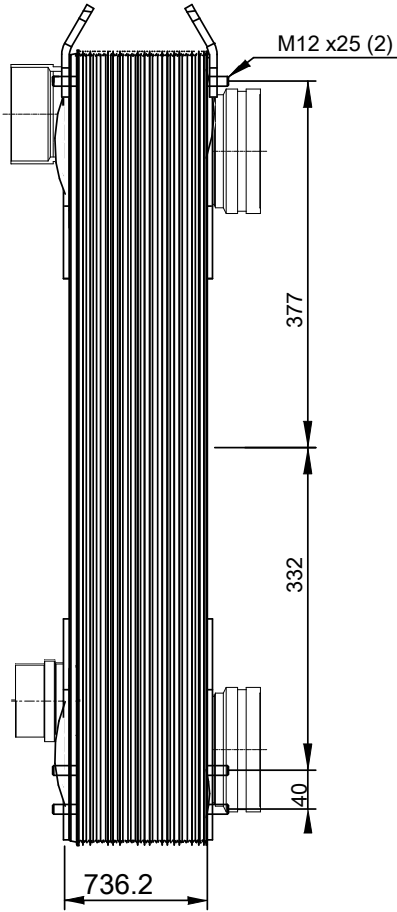
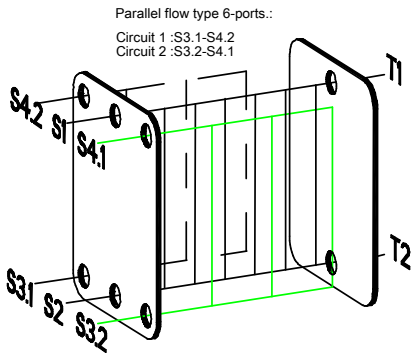


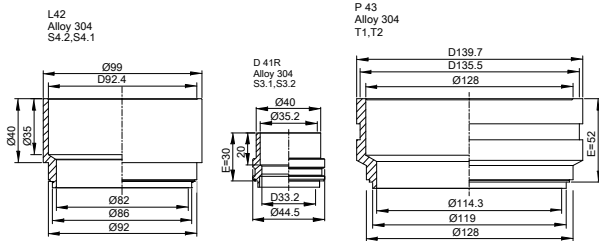
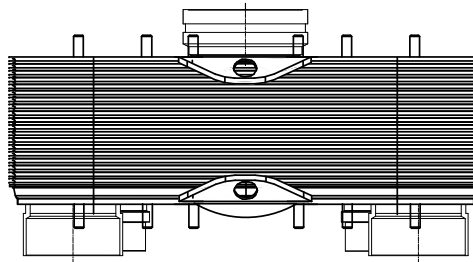
Note that all unique customer requirements (i.e tolerance) need to be verified thru Alfa Laval.



T1 T2 T3.1 T3.2 T4.1 T4.2 locations on back side correspond to S1 S2 S3.1 S3.2 S4.1 S4.2 on front side



Parallel flow type 6-ports:
Circuit 1 :S3.1-S4.2
Circuit 2 :S3.2-S4.1



HEATING SURFACE
NETWEIGHT 438.9 kg
OPERATING WEIGHT kg
PLATE MATERIAL ALLOY 316
PLATE GROUPING 1*74AHR|1*74AHR|1*14AH

ALL DIMENSIONS IN MILLIMETERS

SIDE	MEDIA	INLET	TEMP.	OUTLET	TEMP.	FLOW RATE	PRESSURE DROP	LIQUID VOL.
1		T1		T2				110.3 dm ³
2		S3.1,S3.2		S4.2,S4.1				45.1/45.1 dm ³

PRESSURE VESSEL APPROVAL PED/UK

AC1000DQ-298AH-F (3287168189)

www.alfalaval.com

CUSTOMER NAME / REF. NO.

TOTAL LENGTH 837.6 mm
TOTAL WIDTH 487.0 mm
TOTAL HEIGHT 864.0 mm

COMPANY / REF.



4/16/2024
REV 0